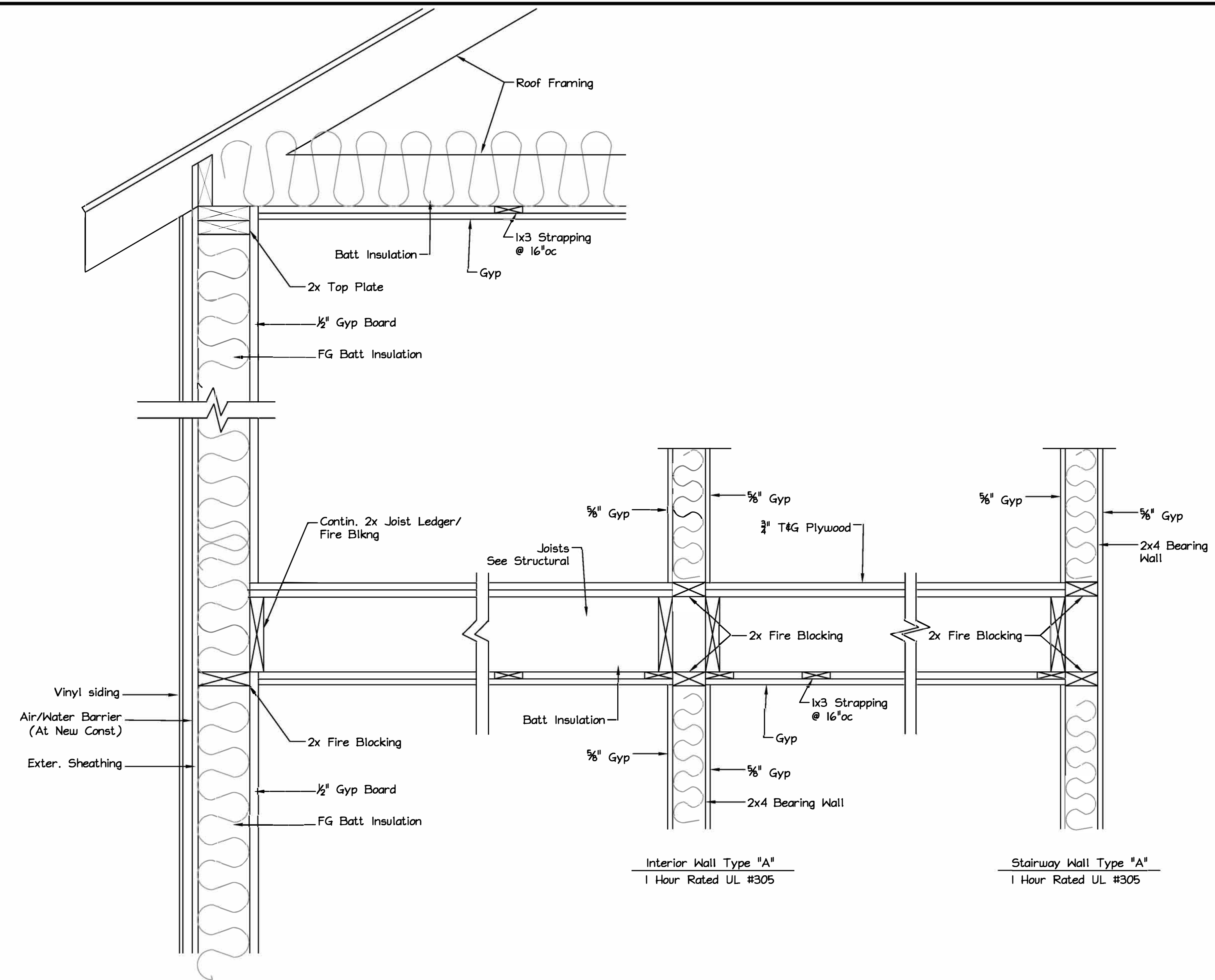


Interior Wall Type "A"
1 Hour Rated UL #305

Stairway Wall Type "A"
1 Hour Rated UL #305

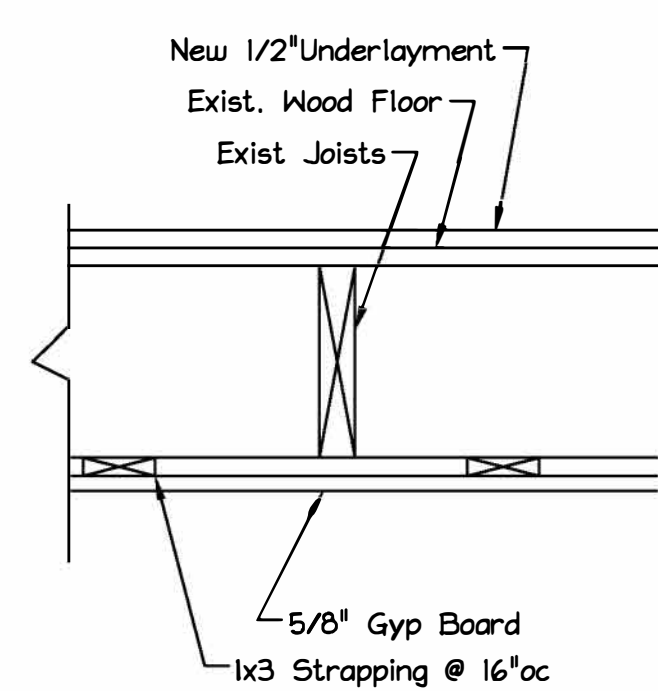
DETAIL **A-3** Typical Framing/Fire Blocking Detail
Scale: 1 1/2" = 1'-0" Platform Framed Walls



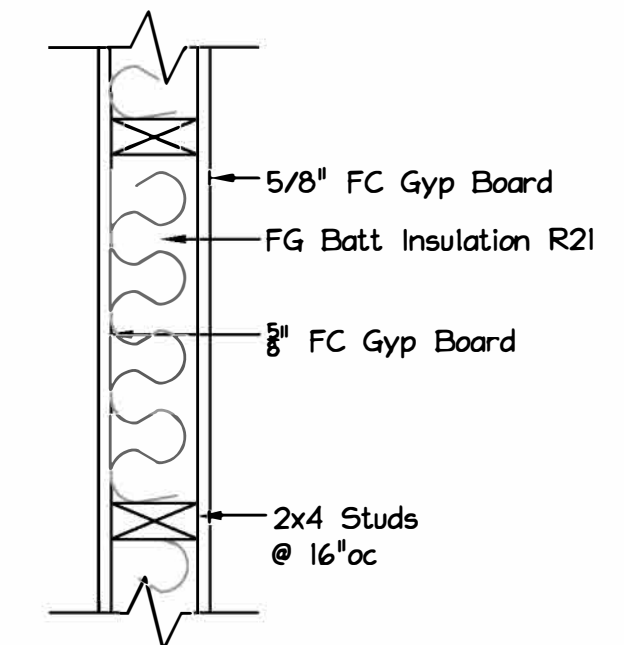
Interior Wall Type "A"
1 Hour Rated UL #305

Stairway Wall Type "A"
1 Hour Rated UL #305

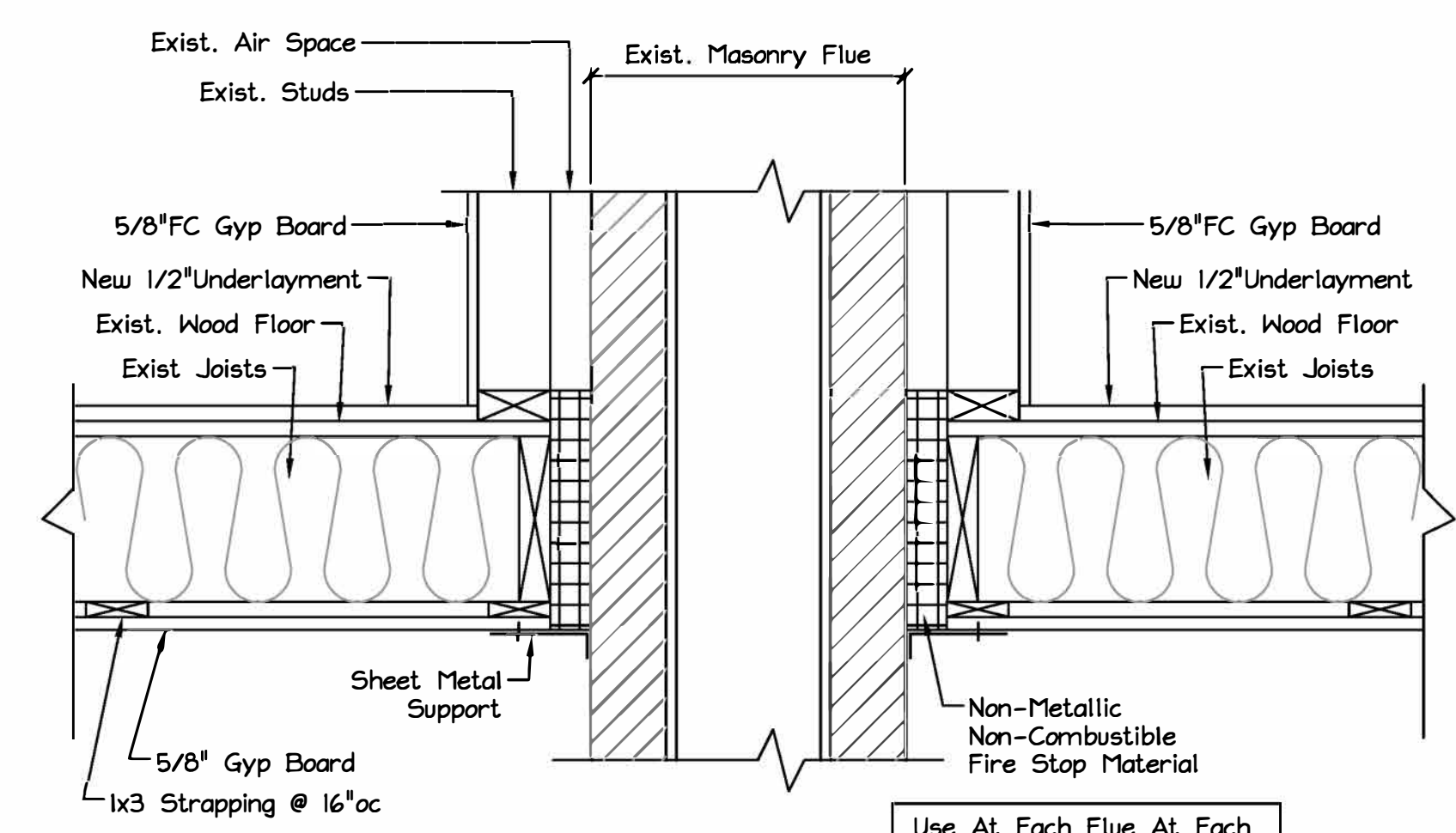
DETAIL **A-3** Typical Framing/Fire Blocking Detail
Scale: 1 1/2" = 1'-0" Balloon Framed Walls



Ceiling Assembly
1 Hour Rated UL #U501



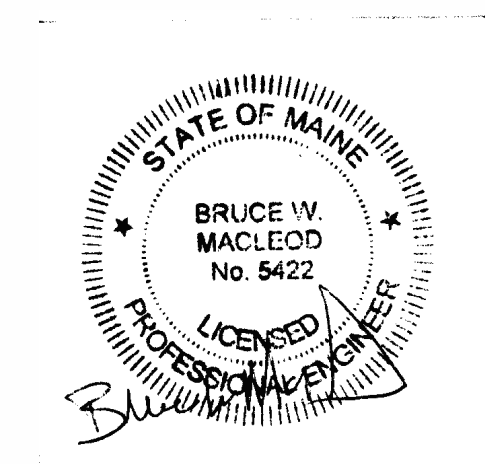
Wall Type "A"
1 Hour Rated UL #305



Use At Each Flue At Each Framed Level, Typical

DETAIL **B** Typical Flue Fire Stop Detail
Scale: 1 1/2" = 1'-0"

ISSUED 2/2/17



MacLeod Structural Engineers, PA		
404 Main Street Gorham, Maine 04038 207.839.0980		
Moran's Market Renovation 1576 Forest Ave. Portland, Maine		
TITLE: FIRE BLOCKING/PENETRATIONS		
DATE: 10/25/16	DRAWN BY: BIM	DRAWING NUMBER:
SCALE: as noted	PRJN NO: 2016-070	LS-2