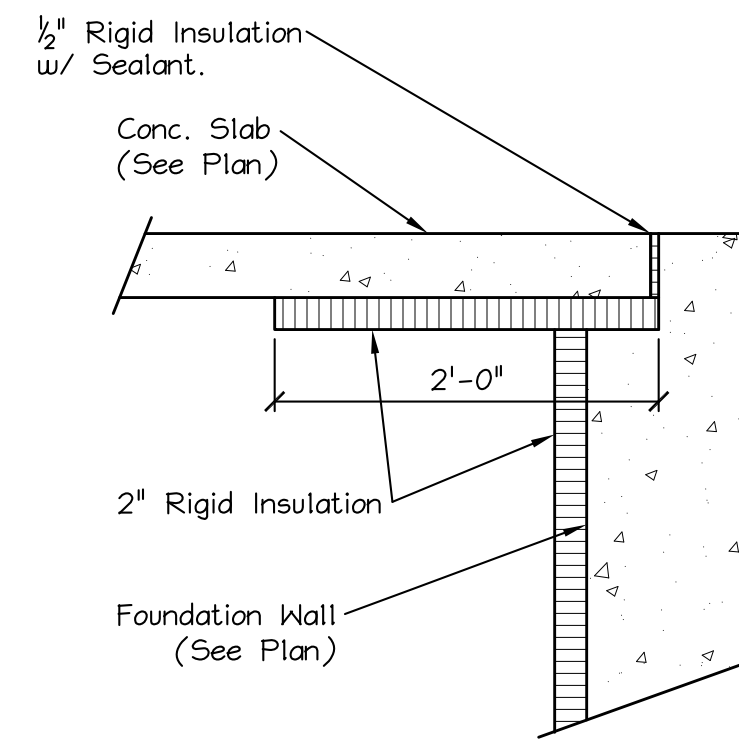


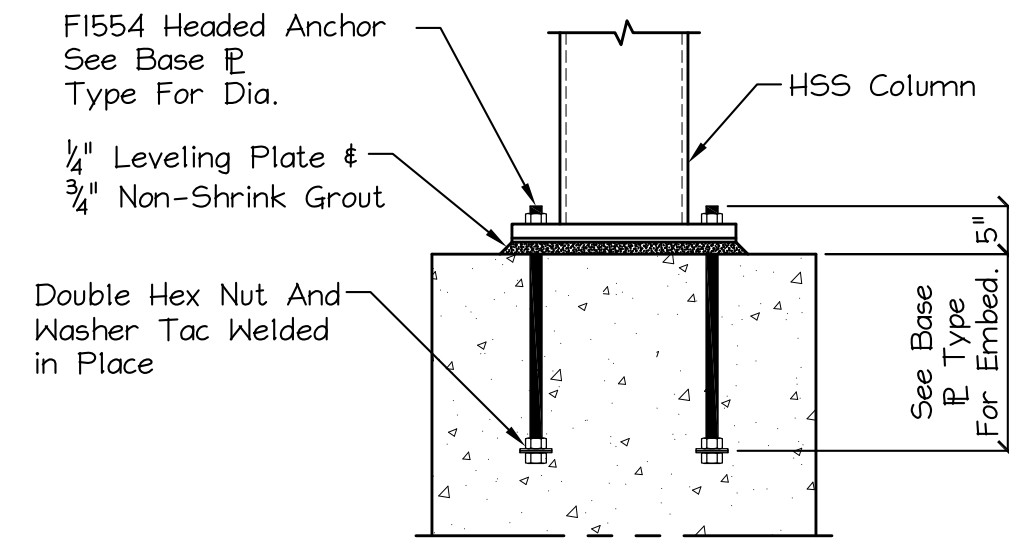
DETAIL - Typical Floor Joints

Scale: 1" = 1'-0"



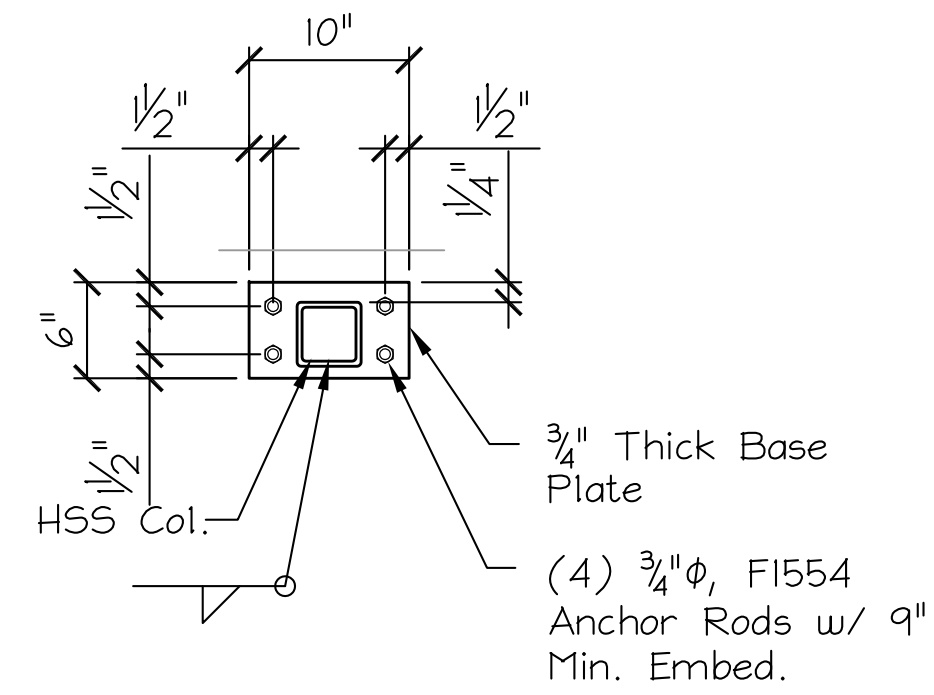
DETAIL - Typ. Sect @ Ext. Slab On Grade Man Doors

Scale: Not To Scale

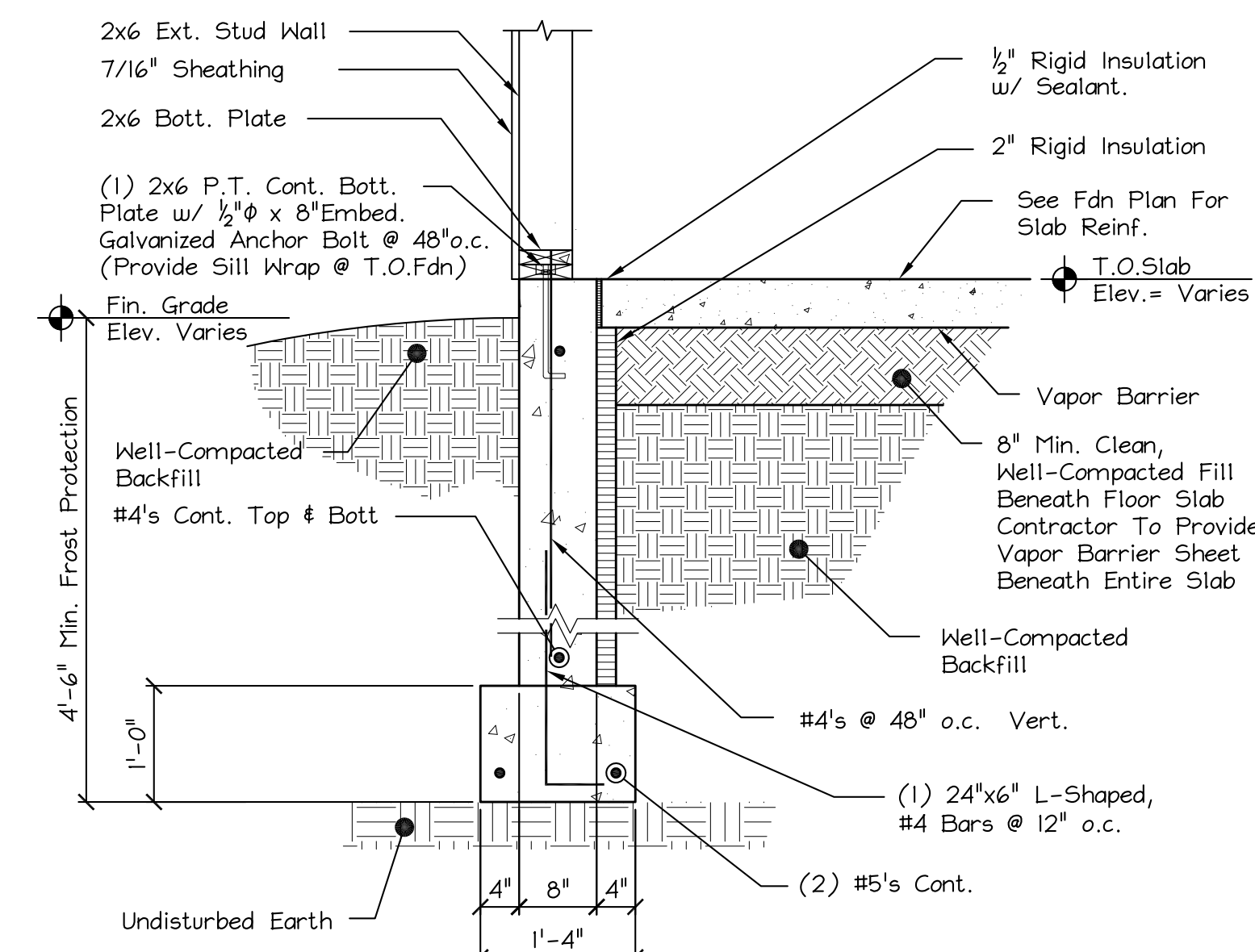


DETAIL - Typ. Anchor Bolts @ Gravity Columns

Scale: Not To Scale

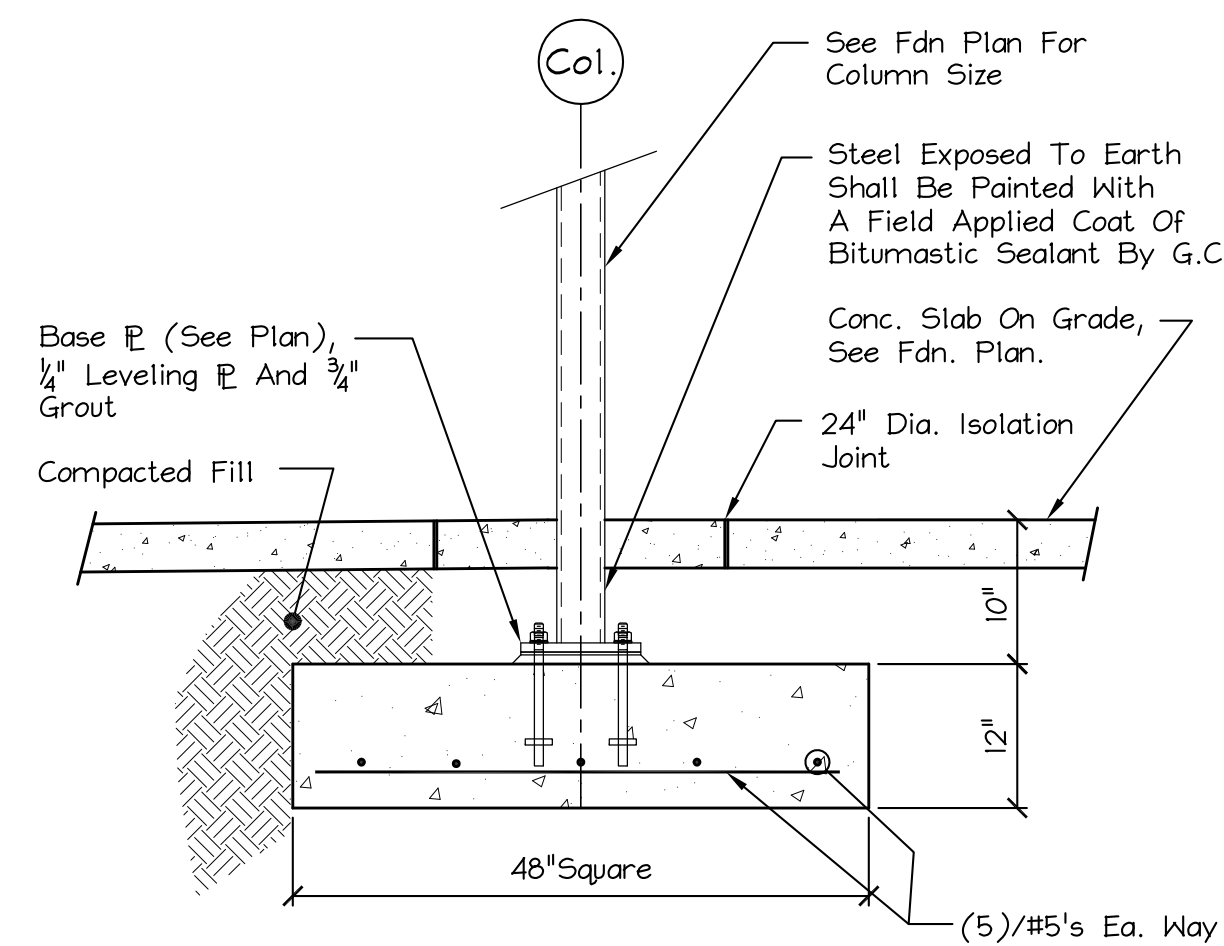


TYPICAL BASE PLATE



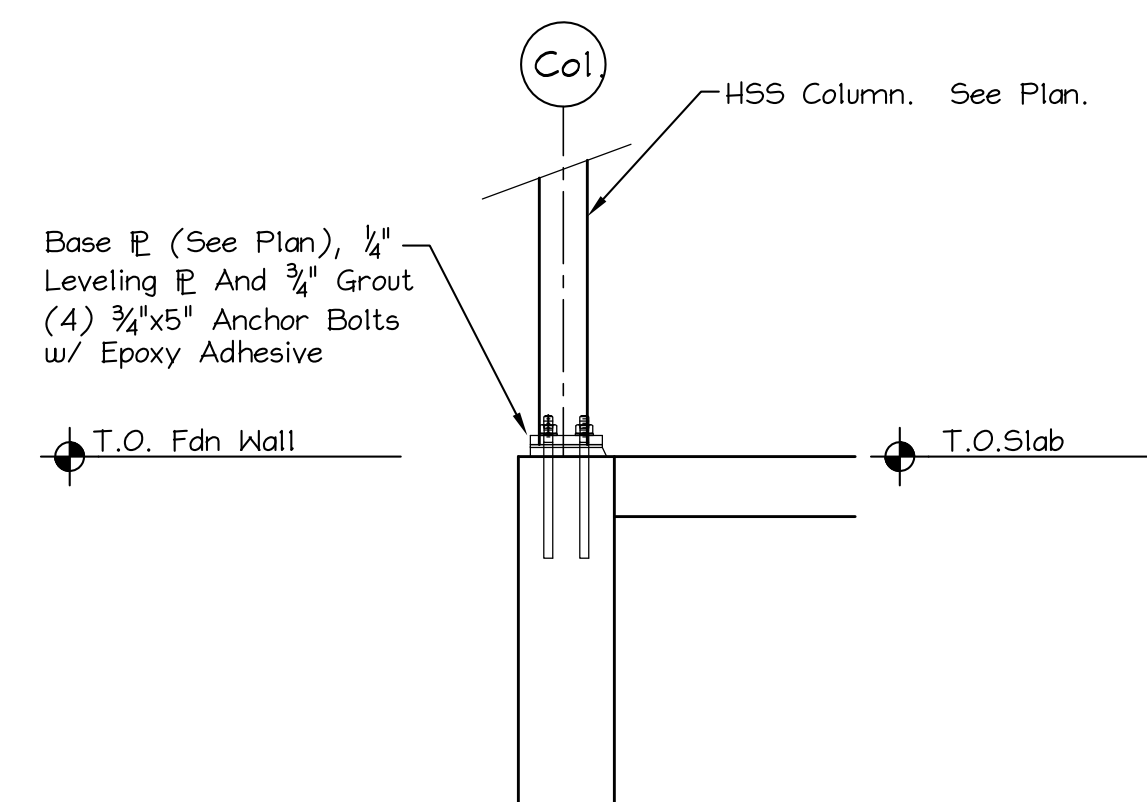
SECTION F2 S1 TYPICAL 8" PERIMETER FOUNDATION WALL

Scale: 3/4" = 1'-0"



SECTION F3 S1 SECTION @ INTERIOR FOOTING

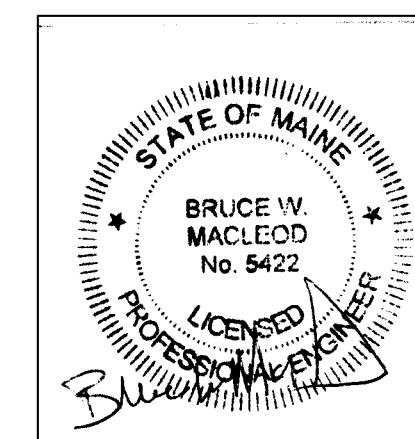
Scale: 3/4" = 1'-0"



SECTION F4 S1 SECTION @ INTERIOR FOOTING

Scale: 3/4" = 1'-0"

ISSUED 1/19/17



<b>MacLeod</b> Structural Engineers, PA 404 Main Street Corham, Maine 04038 207.839.0980		
Moran's Market Renovation 1576 Forest Ave. Portland, Maine		
TITLE: Foundation Details		
DATE: 10/25/16	DRAWN BY: BIM	DRAWING NUMBER:
SCALE: as noted	PROJ NO: 2016-070	S-1.1