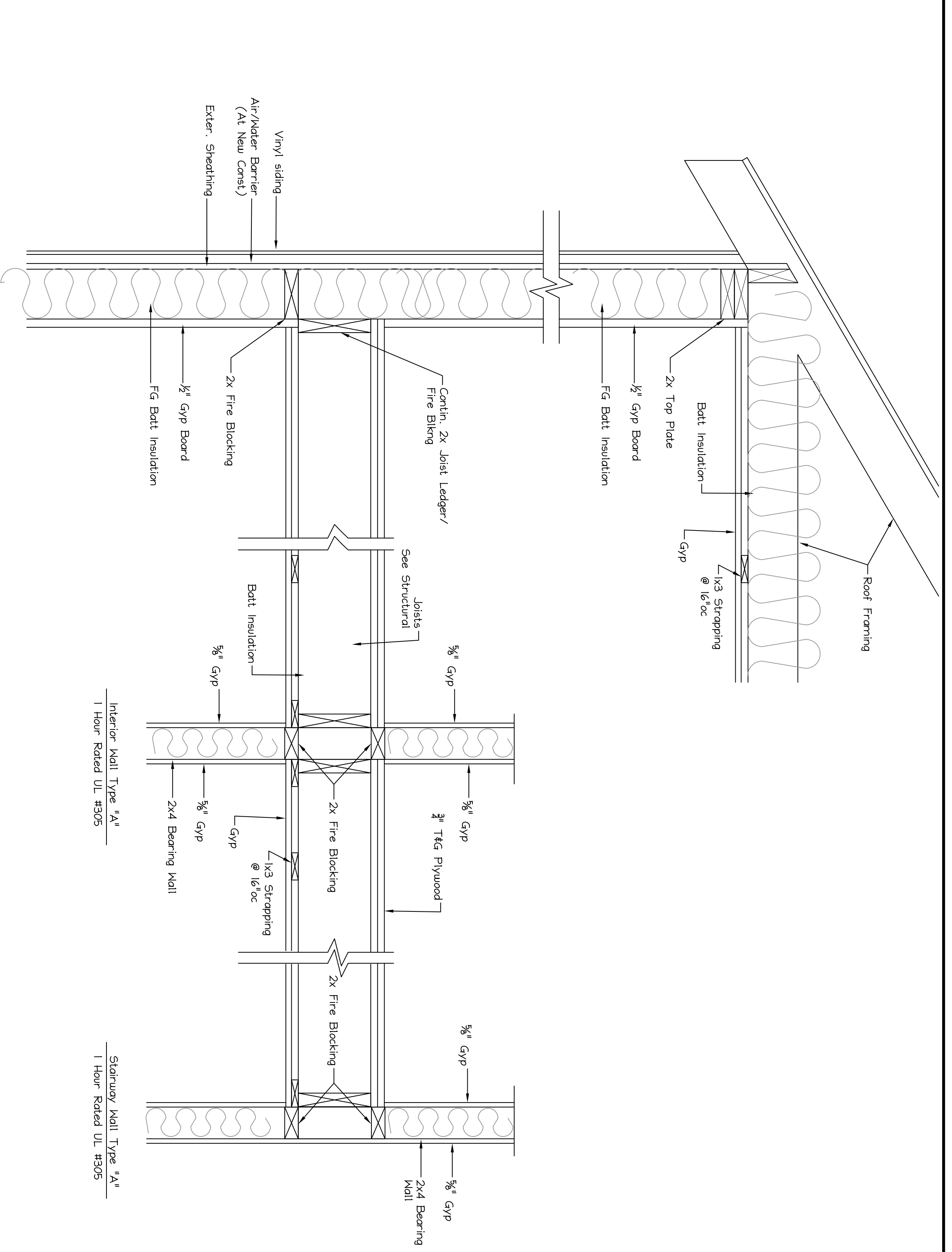
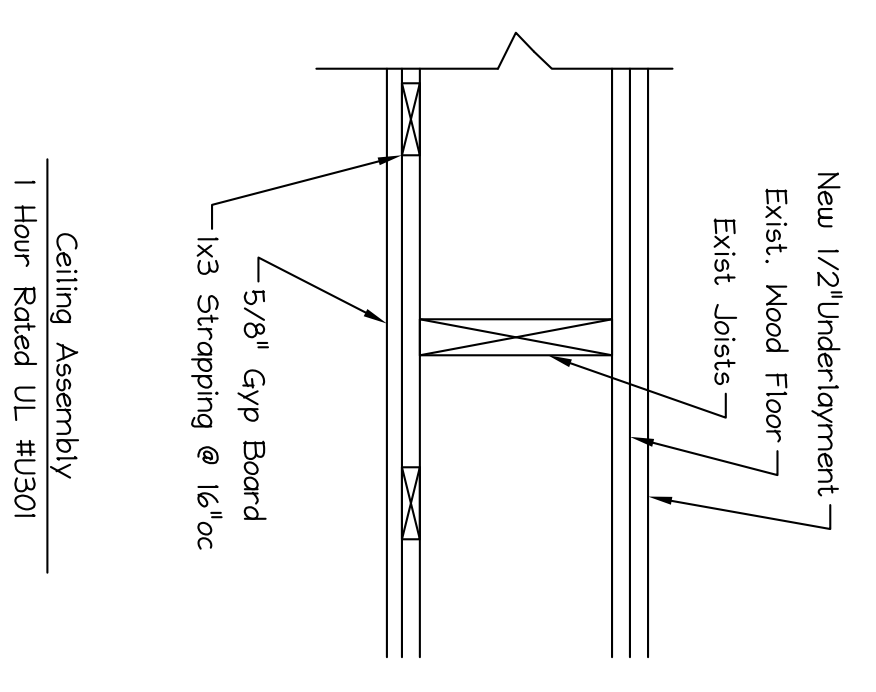


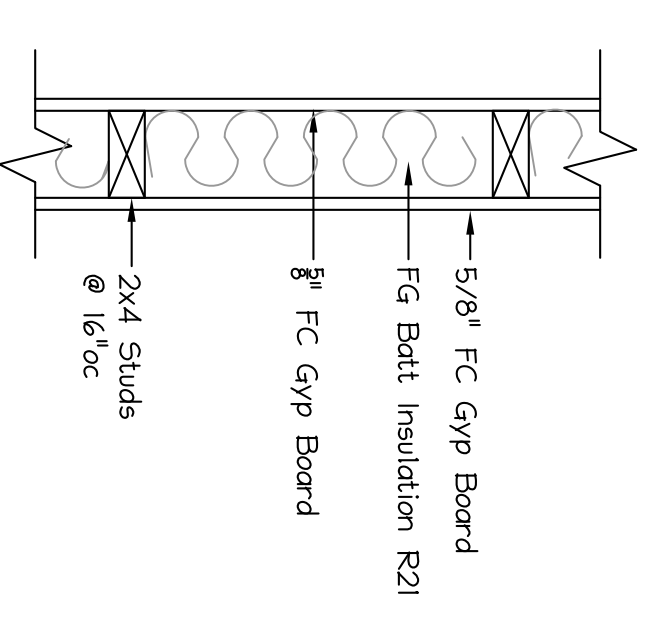
DETAIL A-3 Typical Framing/Fire Blocking Detail
Scale: 1 1/2" = 1'-0"



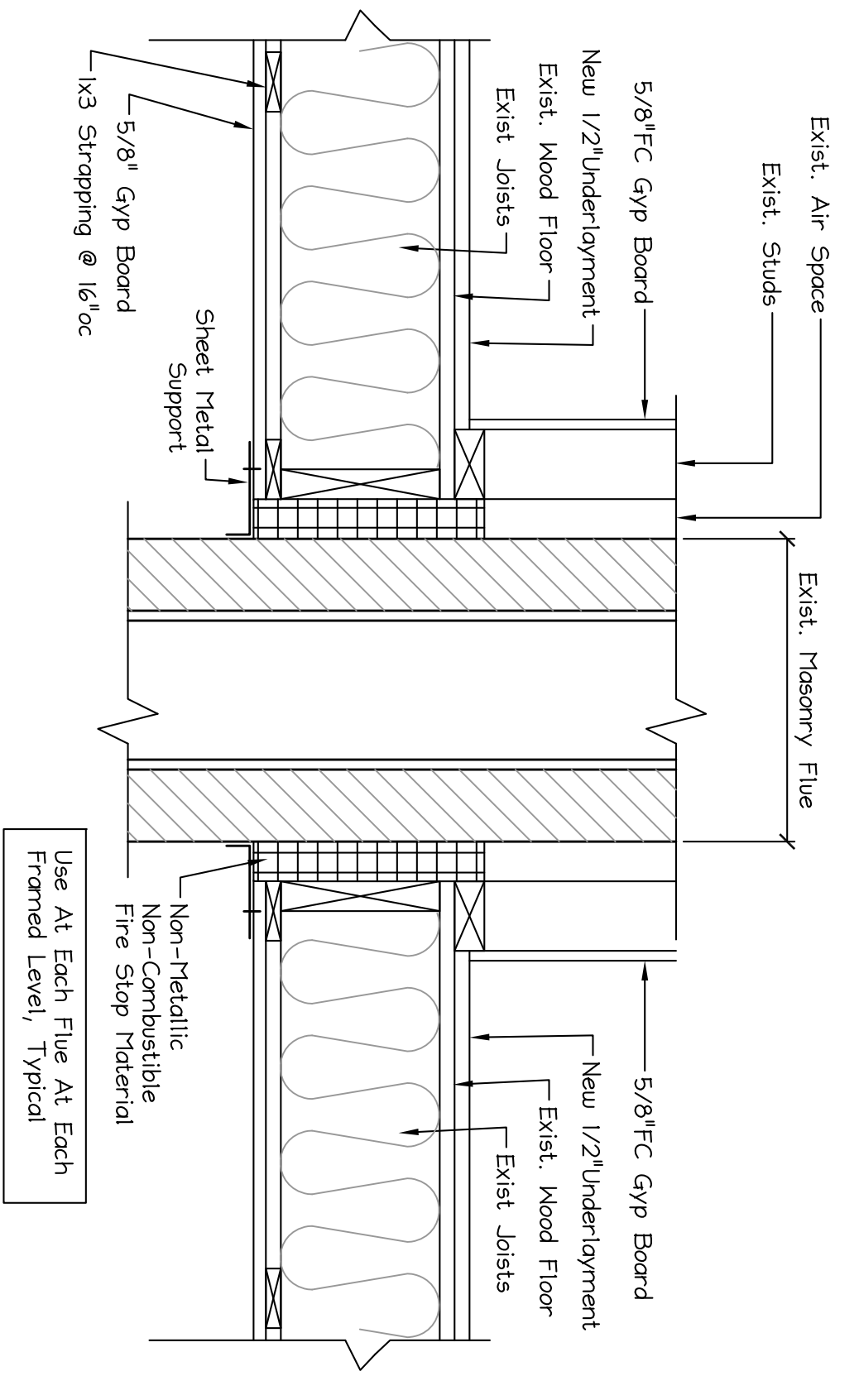
DETAIL A-3 Typical Framing/Fire Blocking Detail
Scale: 1 1/2" = 1'-0"



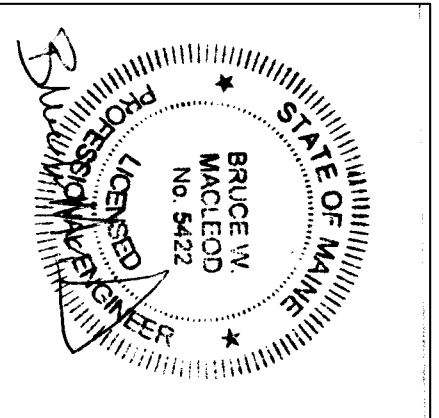
Ceiling Assembly
1 Hour Rated UL #1301



Wall Type 'A'
1 Hour Rated UL #305



DETAIL B Typical Fire Stop Detail
Scale: 1 1/2" = 1'-0"



ISSUED 1/19/17

| | |
|---|-------------------------------------|
| Macleod Structural Engineers, Inc. 404 Main Street, Canton, Maine 04028 207.239.0980 | |
| Moron's Market Renovation 1576 Forest Ave. Portland, Maine | |
| DATE: 10/25/16 SCALE: as noted | DRAWN BY: BVM PROJ. NO: 2016-070 |
| TITLE: FIRE BLOCKING/PENETRATIONS | DRAWING NUMBER: LS-2 |