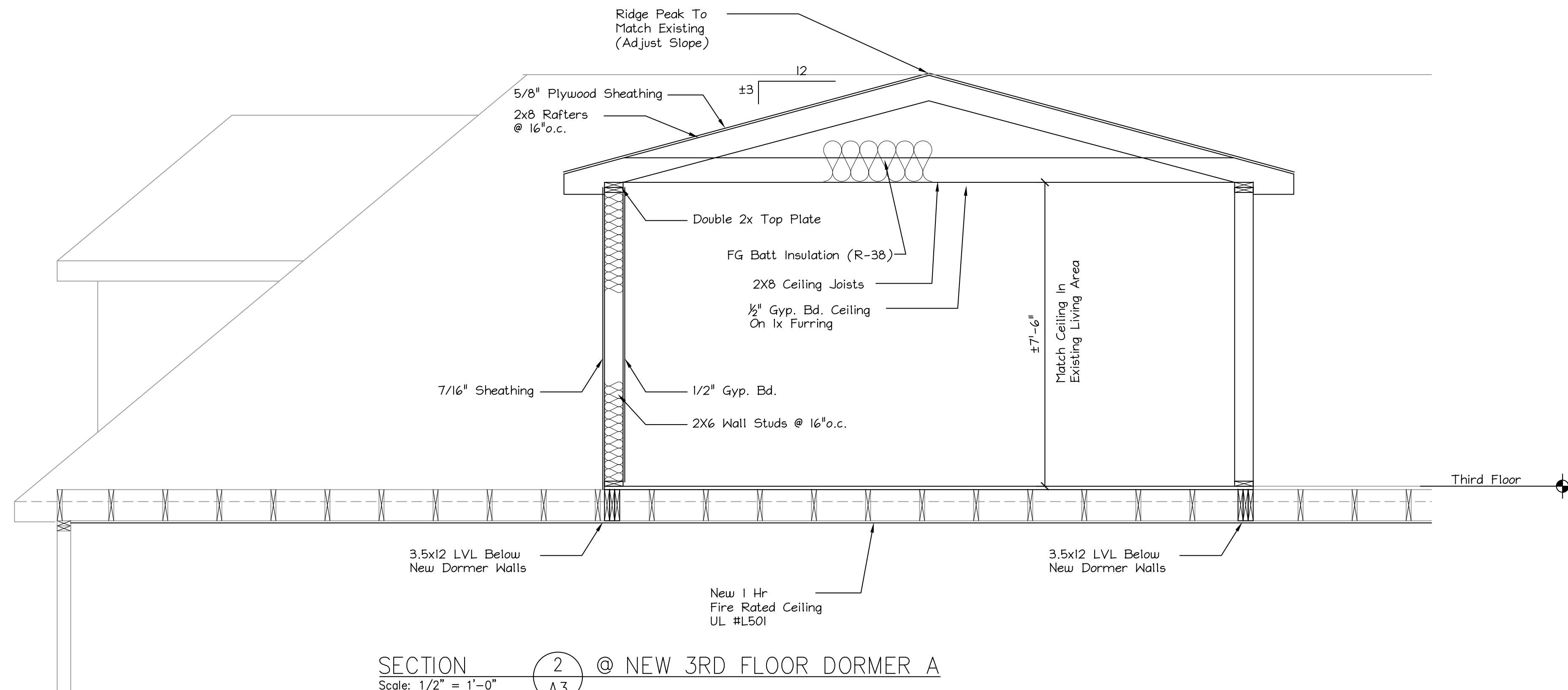
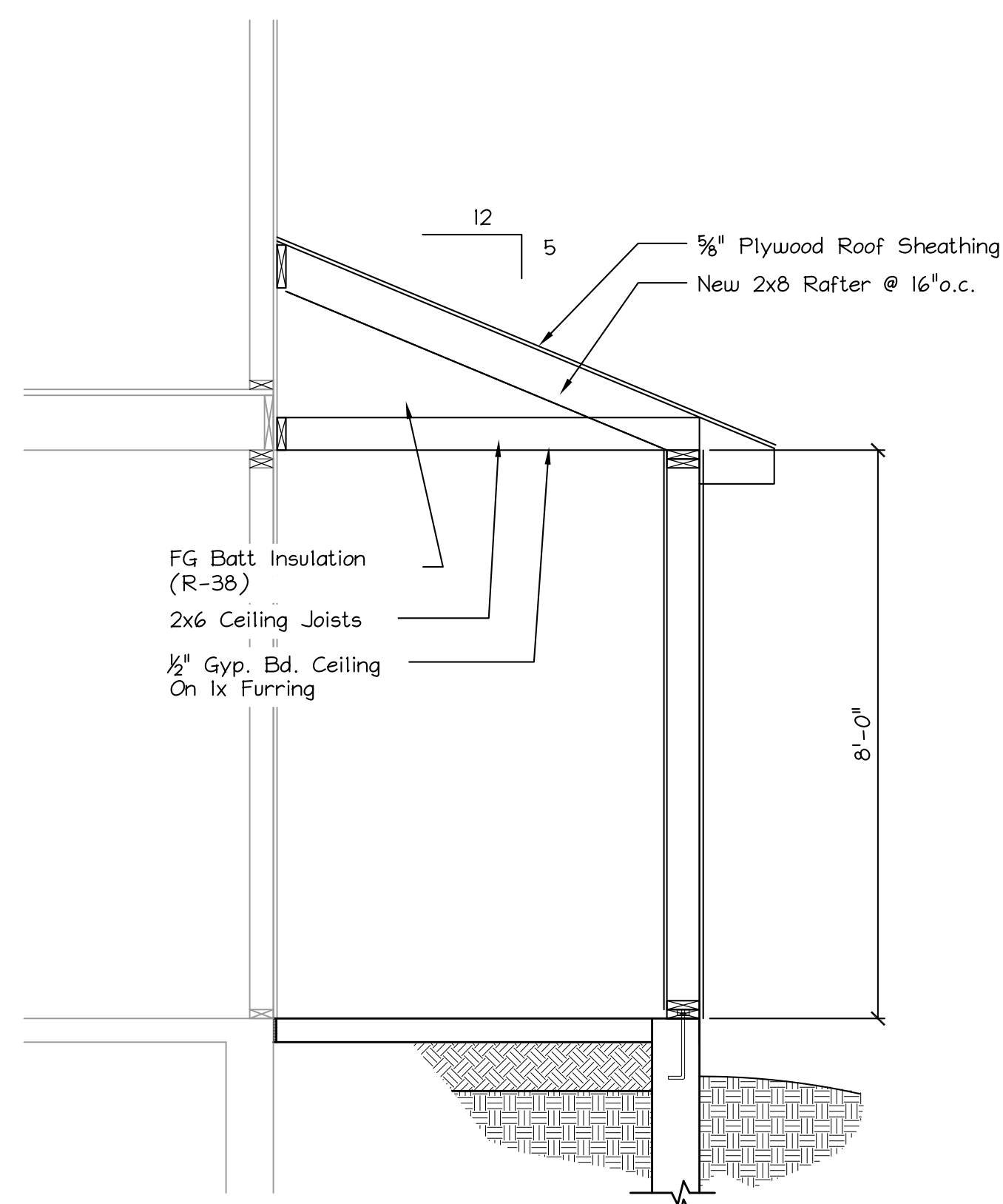


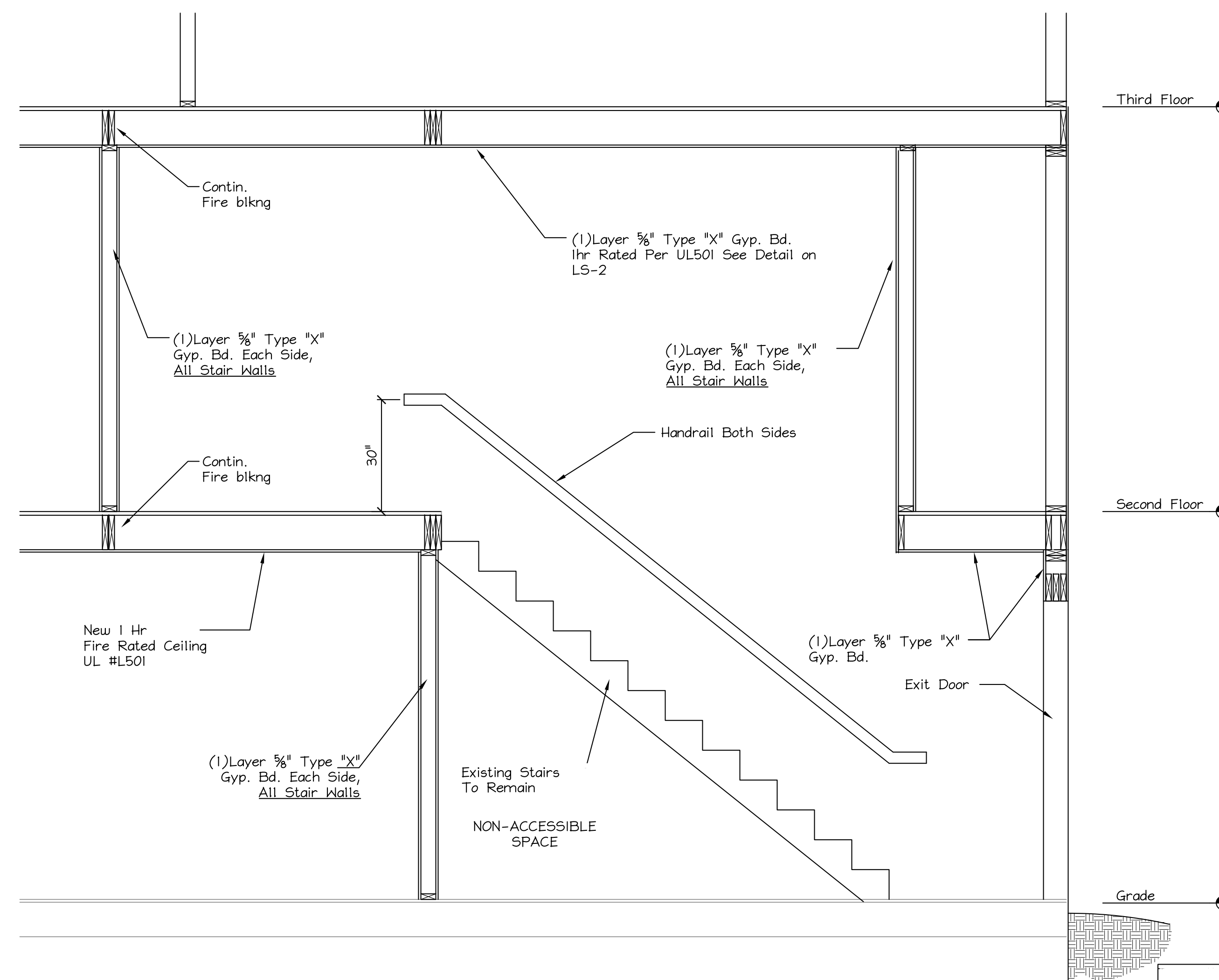
SECTION 1 @ LAV/COOLER ADDITION
Scale: 1/2" = 1'-0"



SECTION 2 @ NEW 3RD FLOOR DORMER A
Scale: 1/2" = 1'-0"



SECTION 3 @ ENTRY
Scale: 1/2" = 1'-0"



SECTION 4 @ STAIR 1
Scale: 1/2" = 1'-0"

ISSUED 1/19/17

MacLeod Structural Engineers, PA 404 Main Street Corham, Maine 04038 207.839.0980		
Moran's Market Renovation 1576 Forest Ave. Portland, Maine		
TITLE: BUILDING SECTIONS		
DATE: 10/25/16	DRAWN BY: BIM	DRAWING NUMBER:
SCALE: as noted	PROJ NO: 2016-070	A-31

