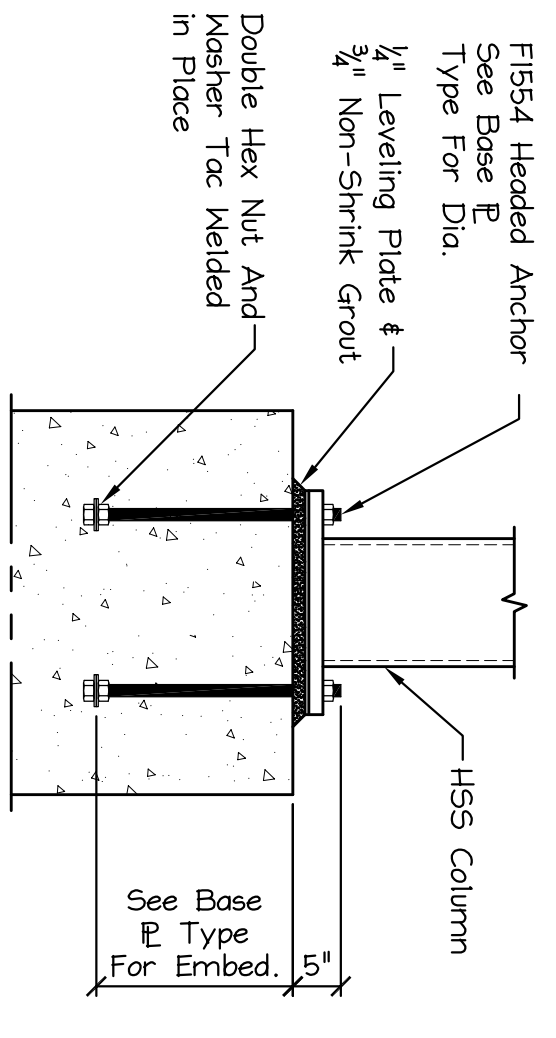
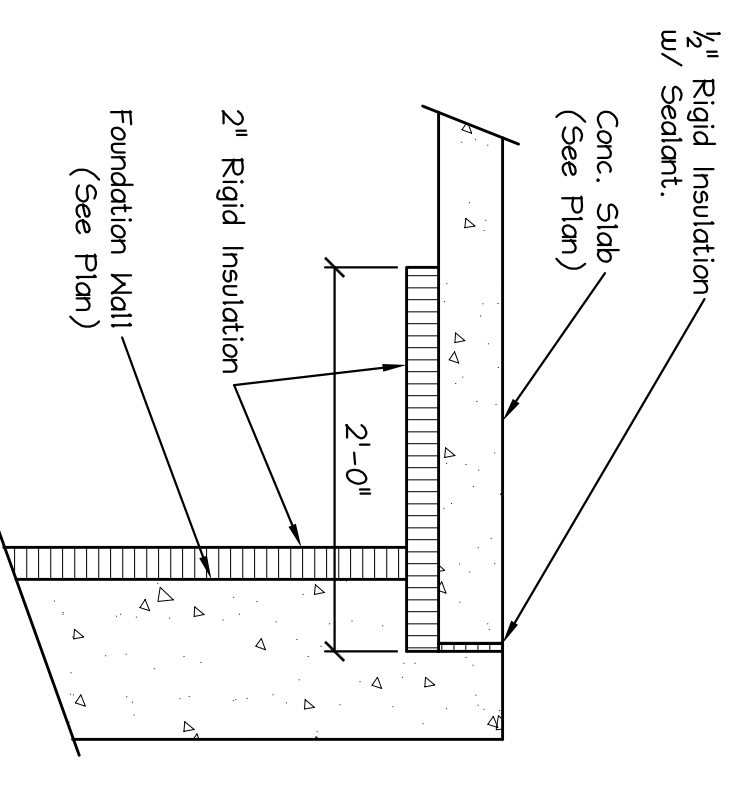


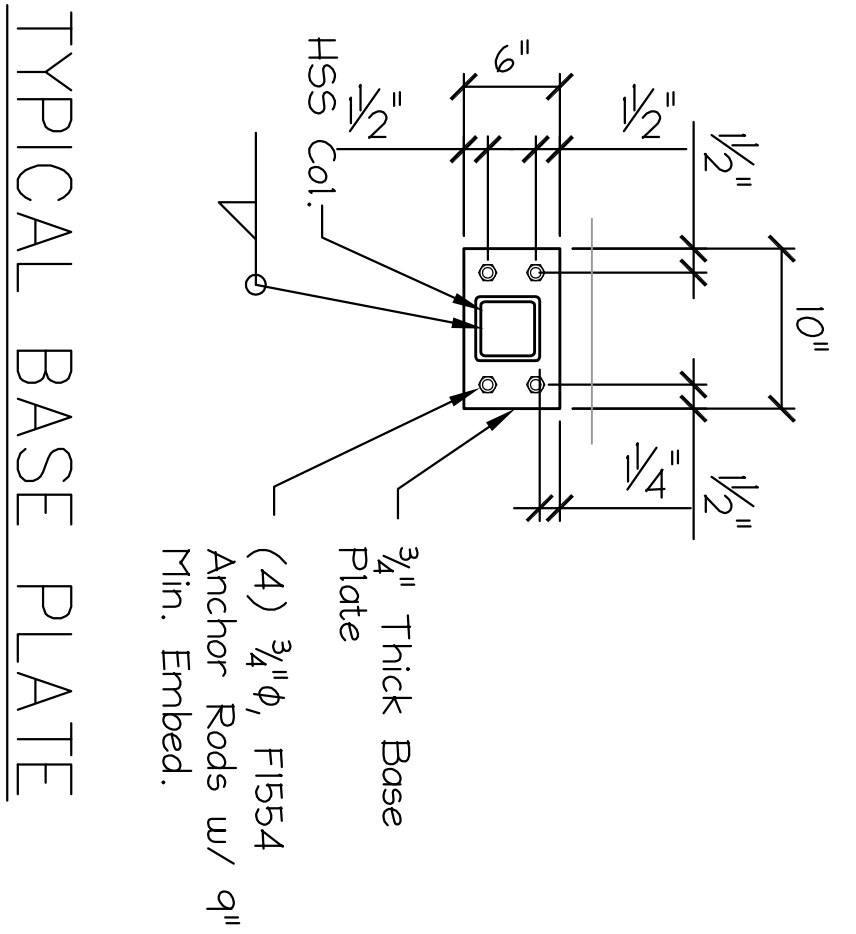
DETAIL - Typical Floor Joints  
Scale: 1" = 1'-0"



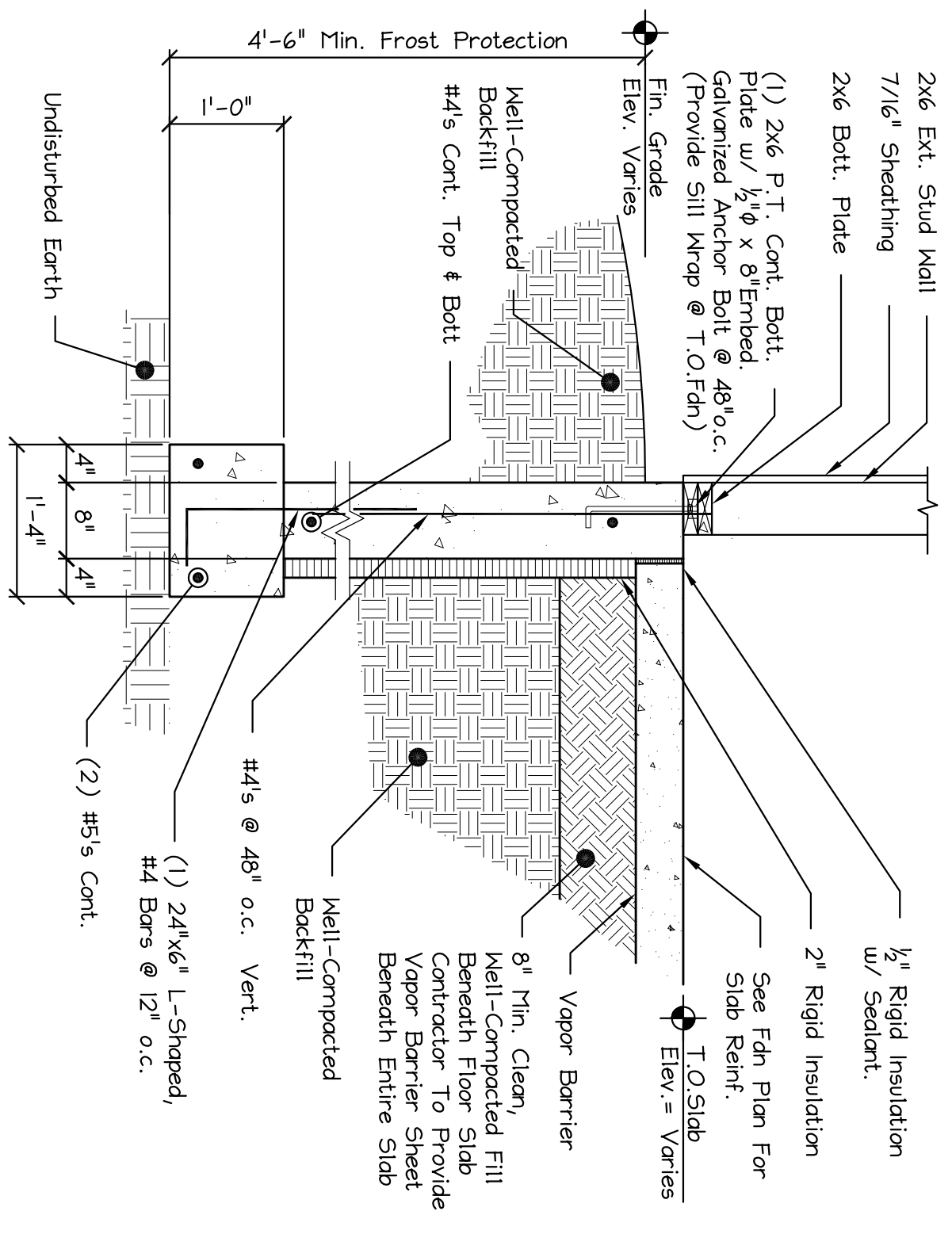
DETAIL - Typ. Anchor Bolts @ Gravity Columns  
Scale: Not To Scale



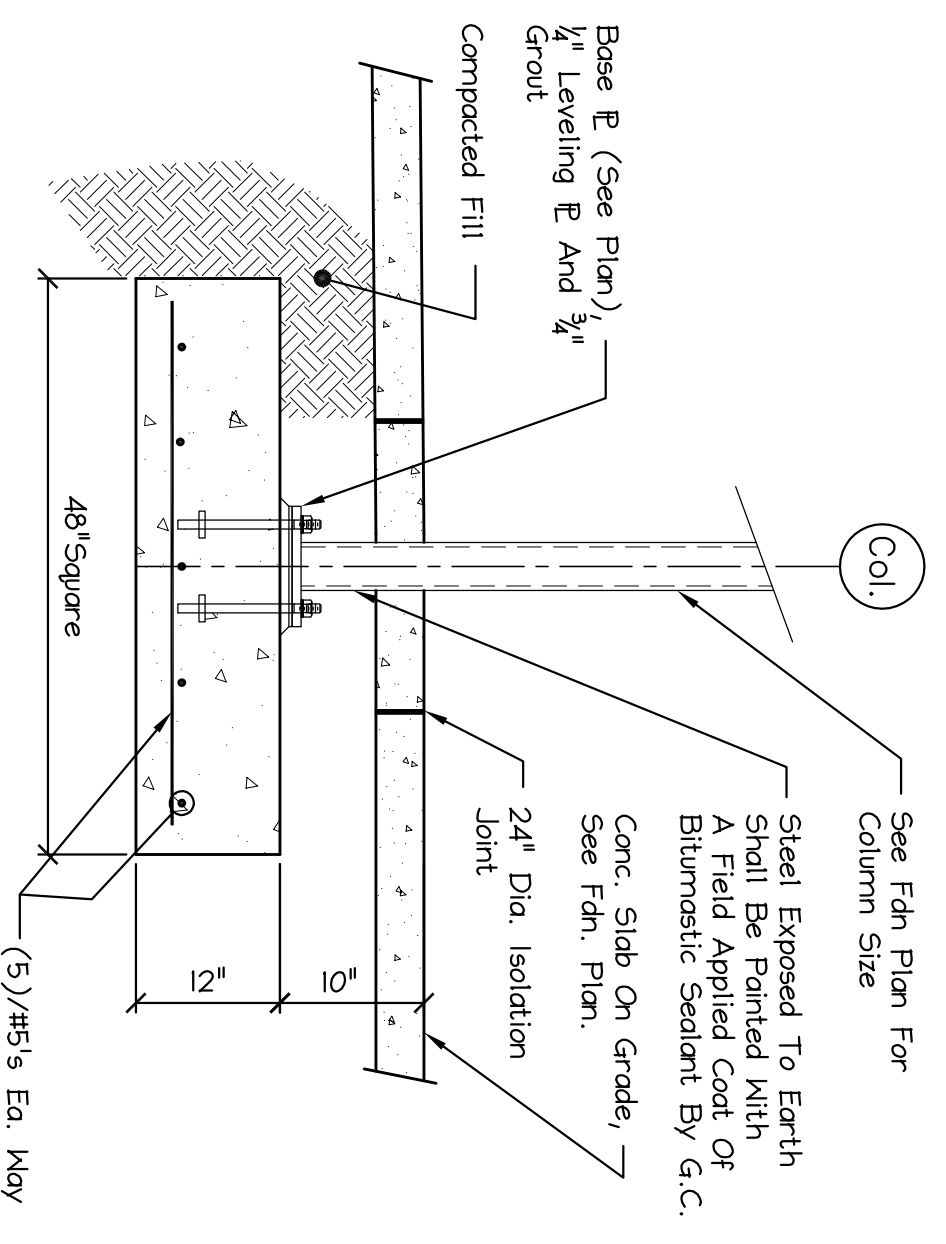
DETAIL - Typ. Sect @ Ext. Slab On Grade Man Door  
Scale: Not To Scale



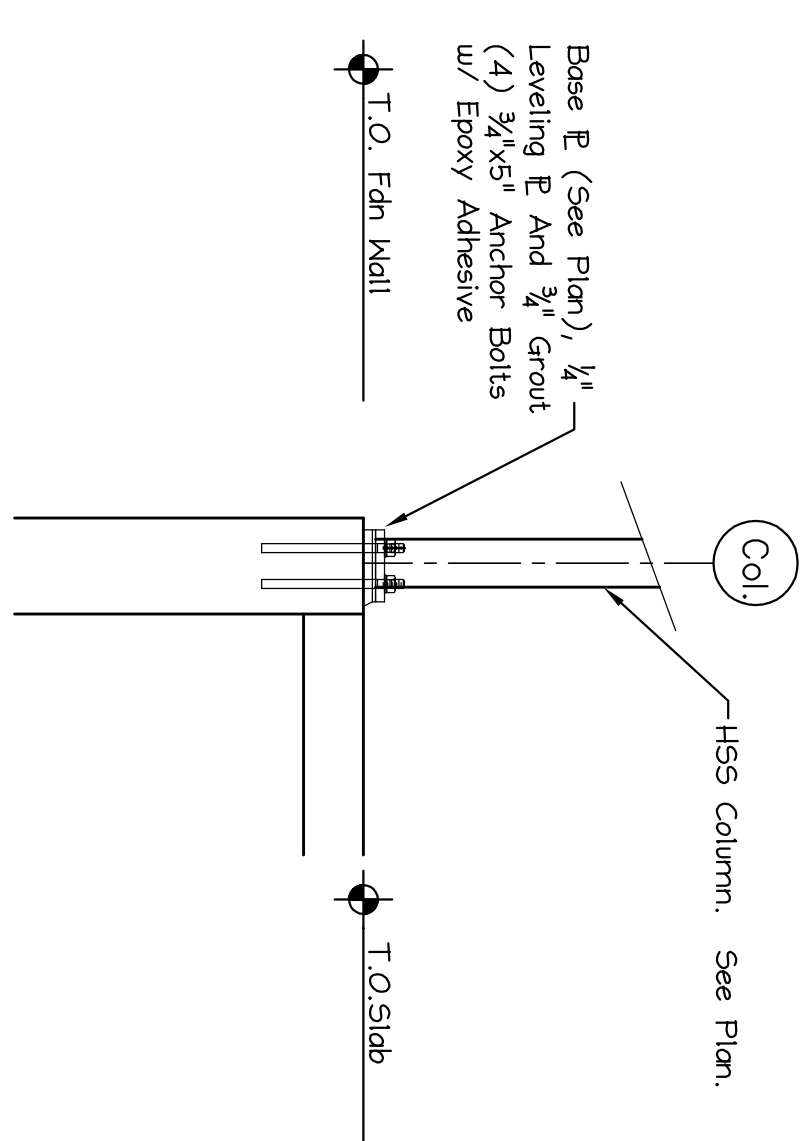
TYPICAL BASE PLATE



SECTION F2 TYPICAL 8" PERIMETER FOUNDATION WALL  
Scale: 3/4" = 1'-0"



SECTION F3 SECTION @ INTERIOR FOOTING  
Scale: 3/4" = 1'-0"



SECTION F4 SECTION @ T.O. Slab  
Scale: 3/4" = 1'-0"

ISSUED FOR PERMIT 12/02/16

<b>Macleod</b> Structural Engineering, PA 404 Main Street, Gettysburg, Md. 21738 207.239.0980	
Moron's Market Renovation 1576 Forest Ave. Pottsville, Md.	
TITLE: Foundation Details	DATE: 10/25/16 SCALE: as noted
DRAWN BY: BMM PROJ. NO: 2016-070	DRAWING NUMBER: S-1.1