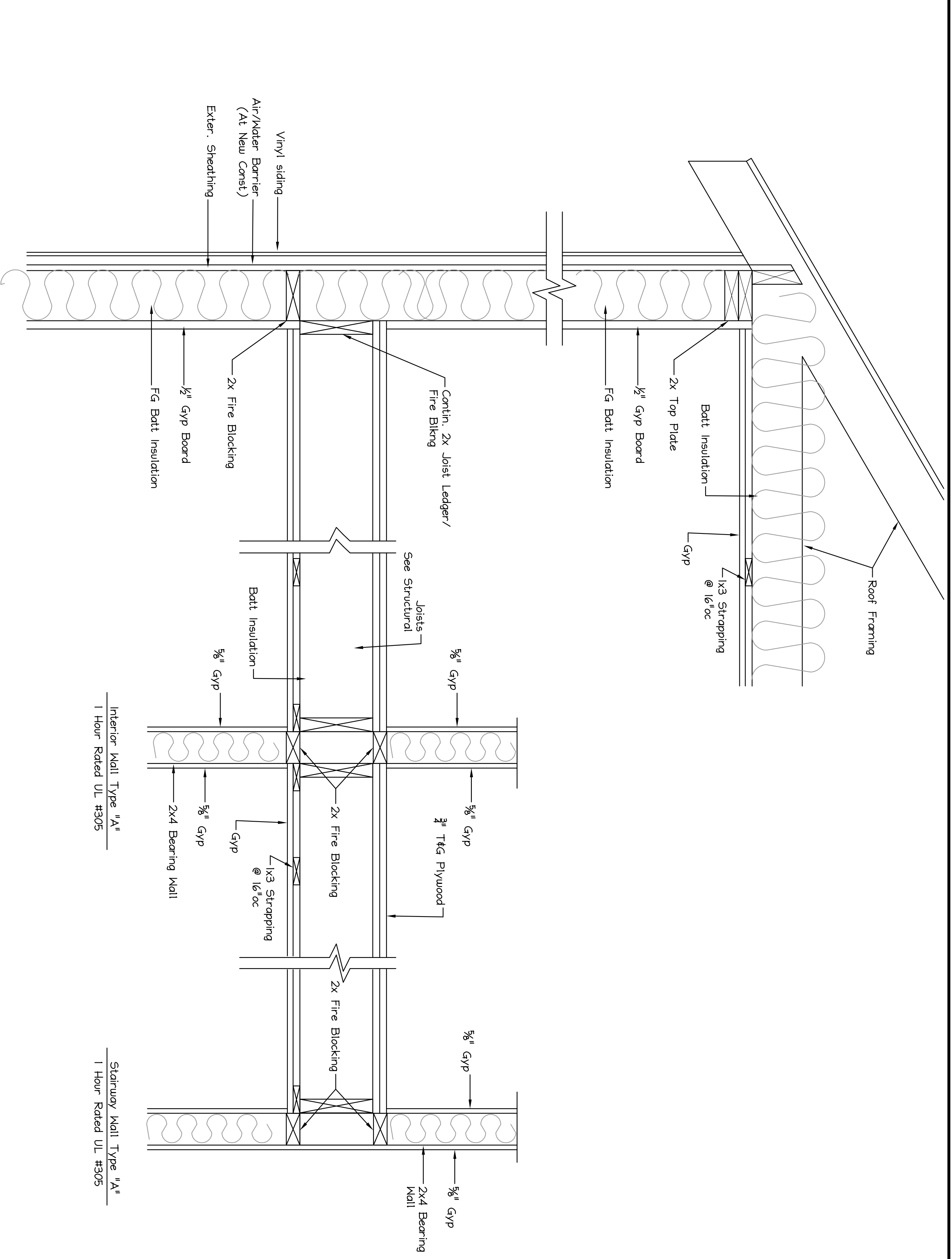
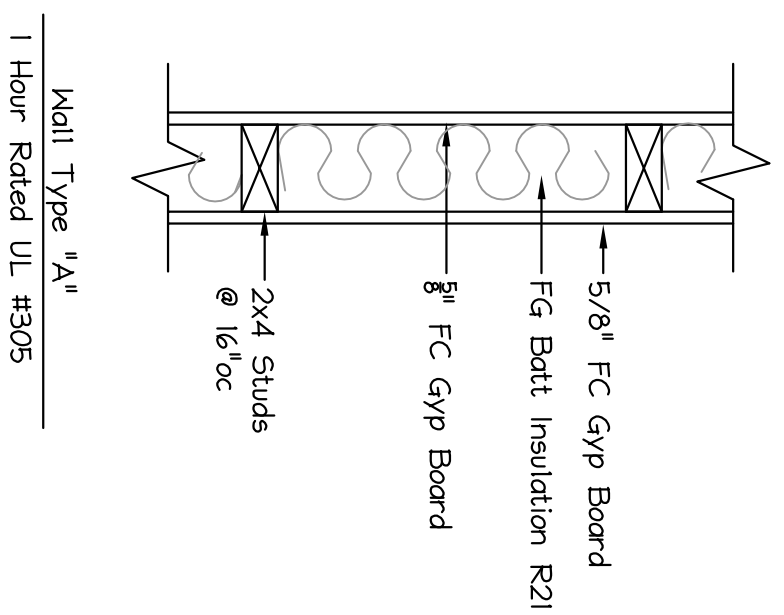
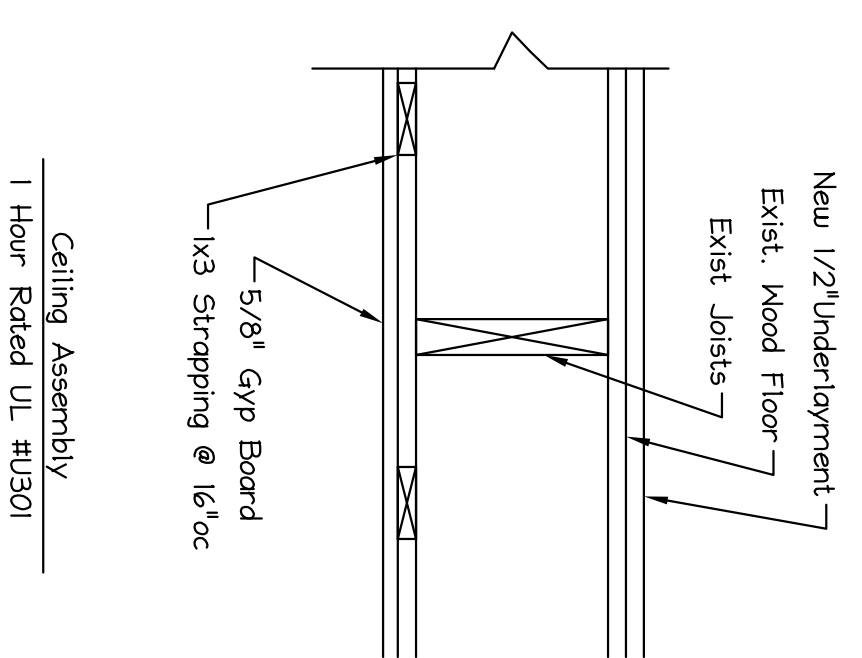


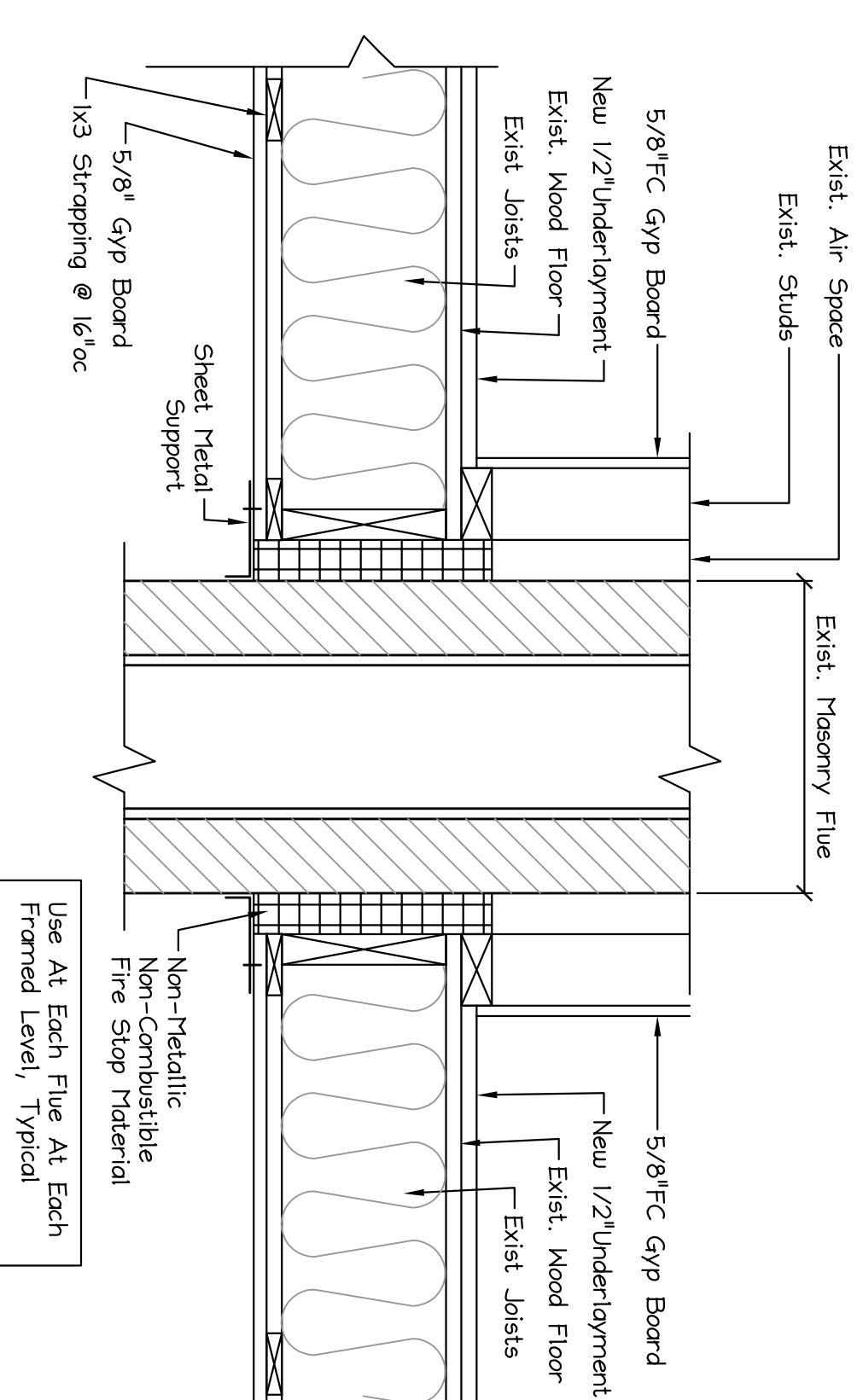
DETAIL **A-3** Typical Framing/Fire Blocking Detail
Scale: 1 1/2" = 1'-0"



DETAIL **A-3** Typical Framing/Fire Blocking Detail
Scale: 1 1/2" = 1'-0"



DETAIL **B** Typical Fire Stair Detail
Scale: 1 1/2" = 1'-0"



ISSUED FOR PERMIT 12/02/16

Macleod Structural Engineers, PC 404 Main Street, Corvallis, Maine 04330 207.239.0980	
Moron's Market Renovation 1576 Forest Ave. Portland, Maine	
TITLE: FIRE BLOCKING/PENETRATIONS	DRAWING NUMBER: LS-2
DATE: 10/25/16	DRAWN BY: BHM CHECKED BY: BHM SCALE: as noted