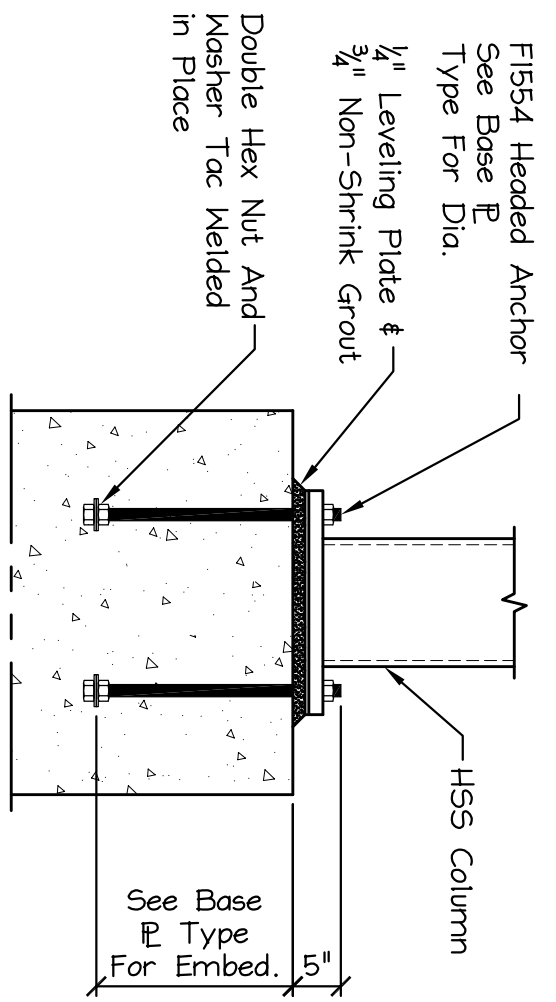
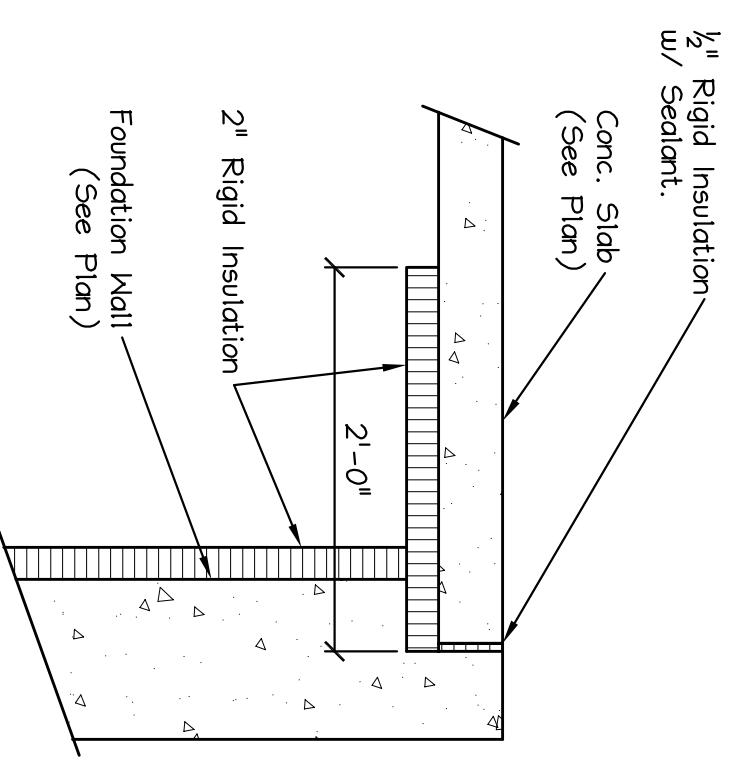


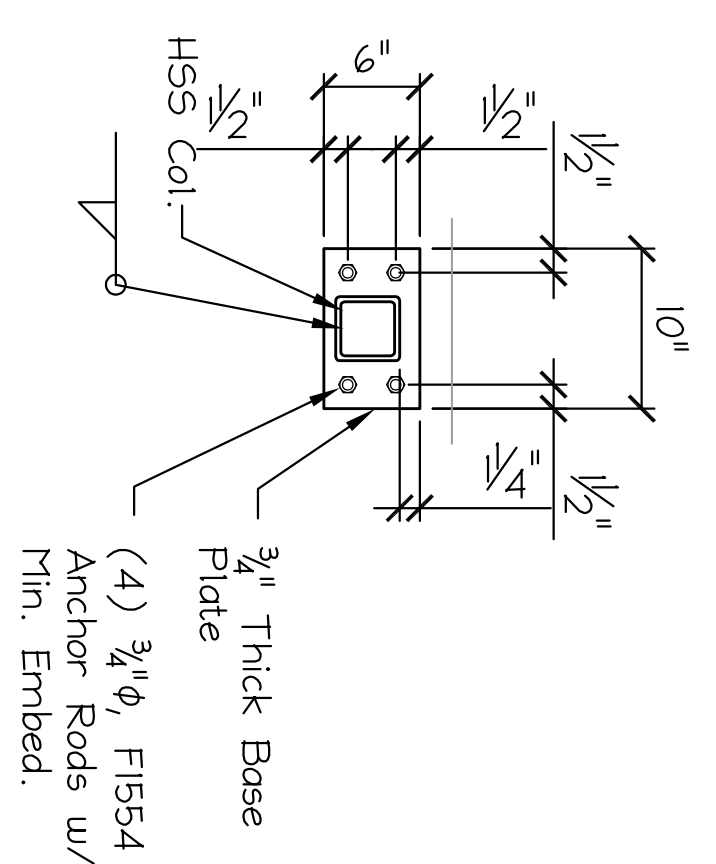
DETAIL - Typical Floor Joints
Scale: 1" = 1'-0"



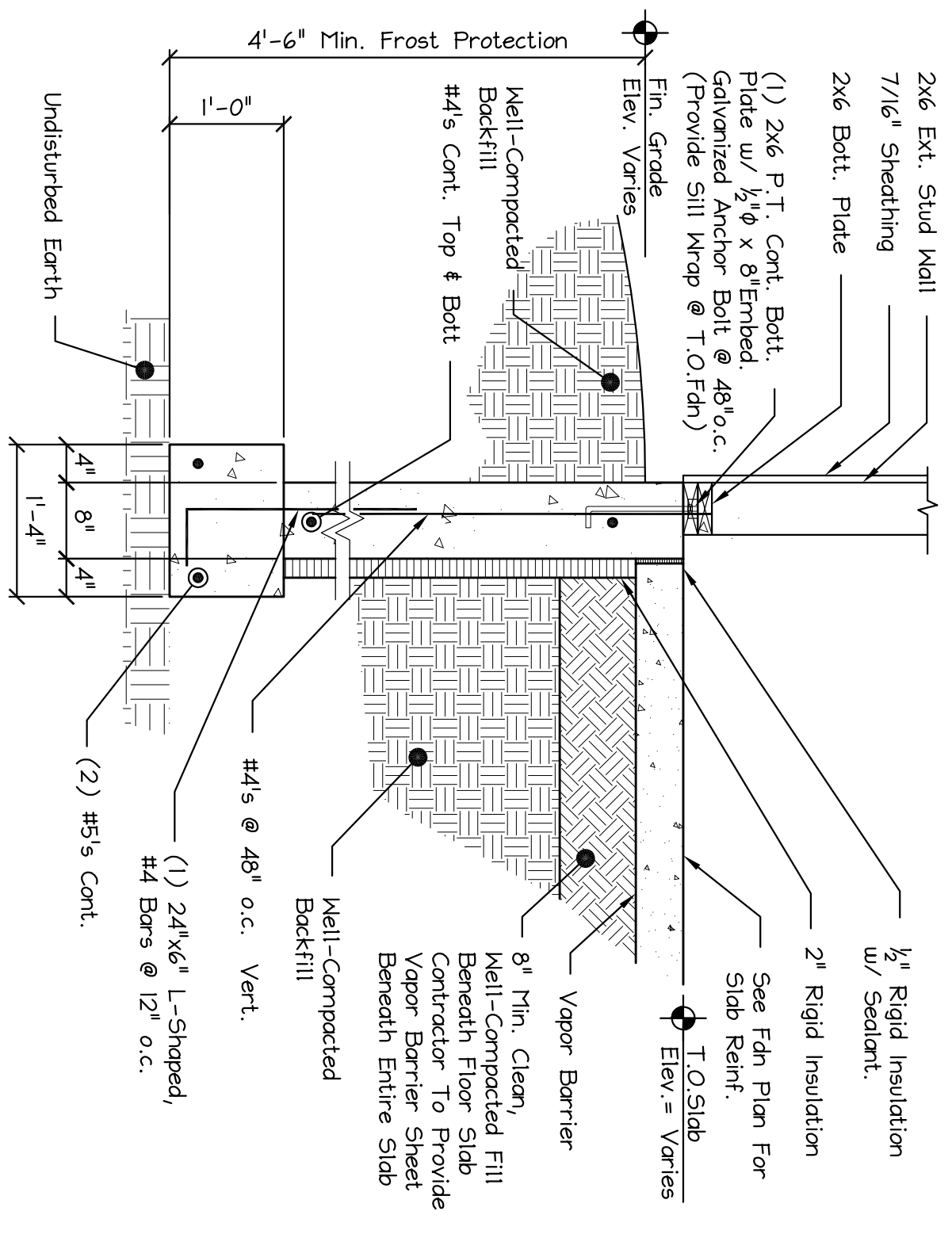
DETAIL - Typ. Anchor Bolts @ Gravity Columns
Scale: Not To Scale



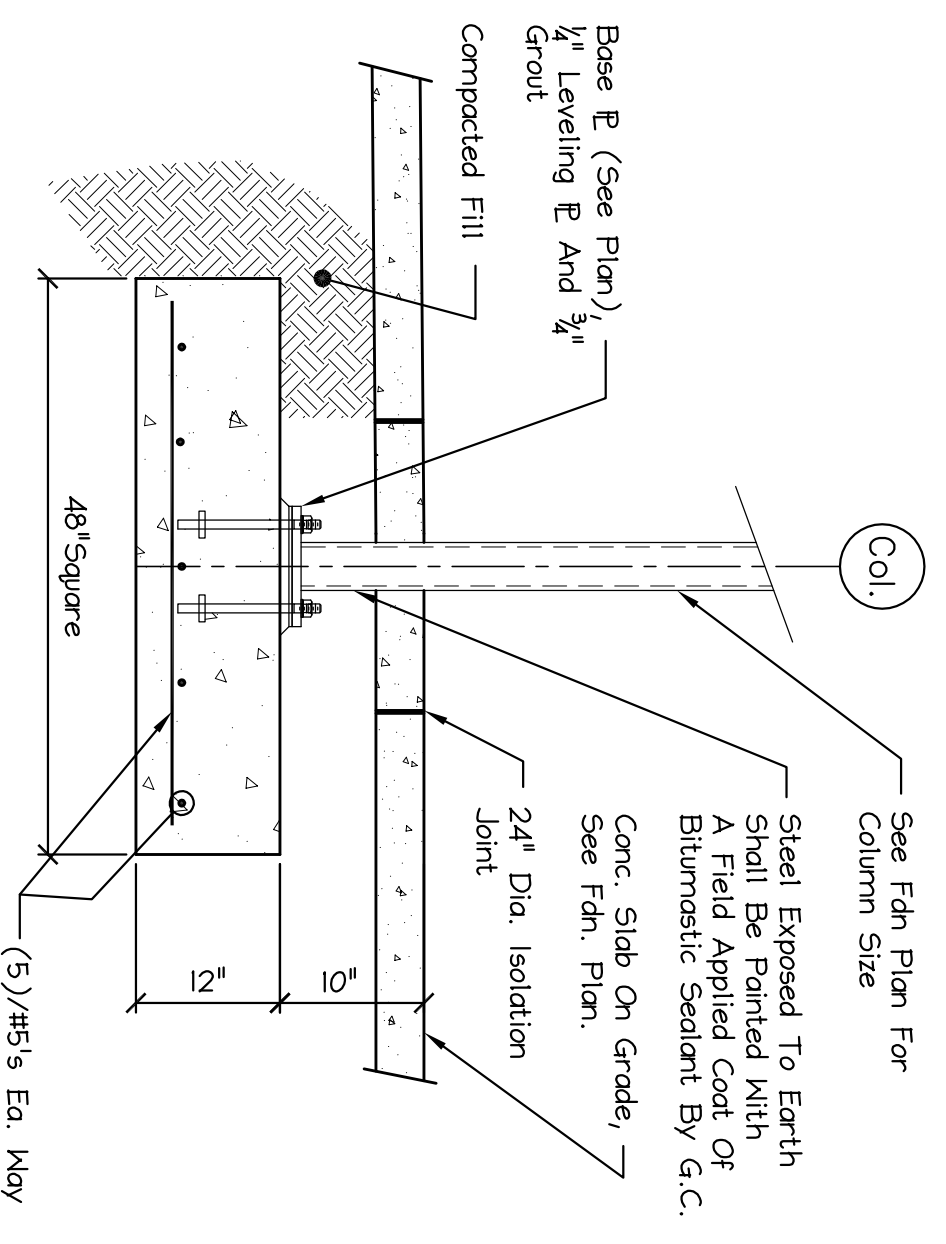
DETAIL - Typ. Sect @ Ext. Slab On Grade Man Door
Scale: Not To Scale



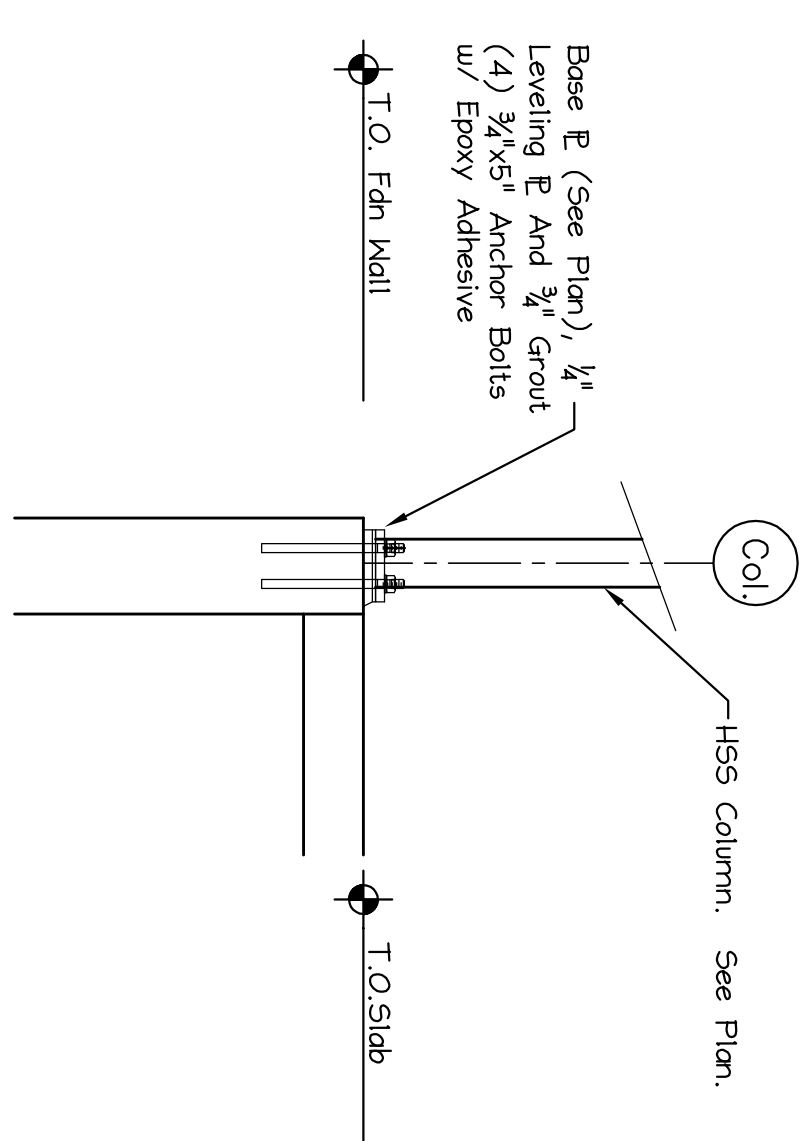
TYPICAL BASE PLATE



SECTION F2 TYPICAL 8" PERIMETER FOUNDATION WALL
Scale: 3/4" = 1'-0"

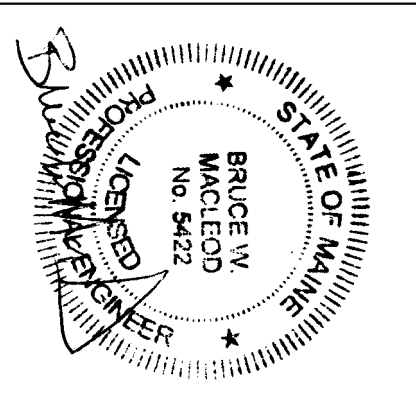


SECTION F3 SECTION @ INTERIOR FOOTING
Scale: 3/4" = 1'-0"



SECTION F4 SECTION @ T.O. Slab
Scale: 3/4" = 1'-0"

ISSUED FOR PERMIT 11/10/16



Macleod Structural Engineers, P.A. 404 Main Street, Gorham, Maine 04038 207.239.0980	
Moroni's Market Renovation 1576 Forest Ave. Portland, Maine	
TITLE:	Foundation Details
DATE:	10/25/16
SCALE:	as noted
DRAWN BY:	BHW
PROJ. NO.:	2016-070
DRAWING NUMBER:	S-1.1