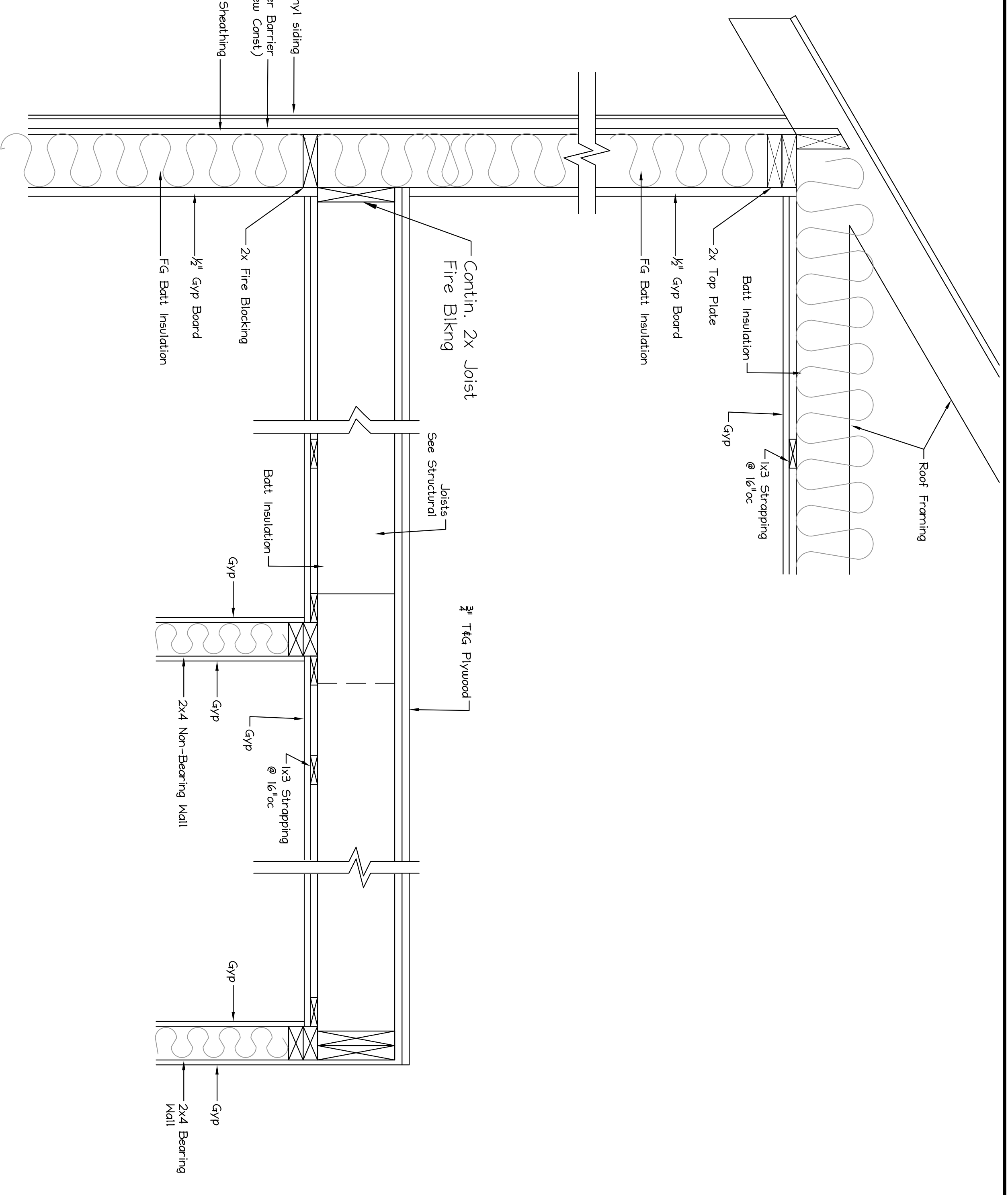
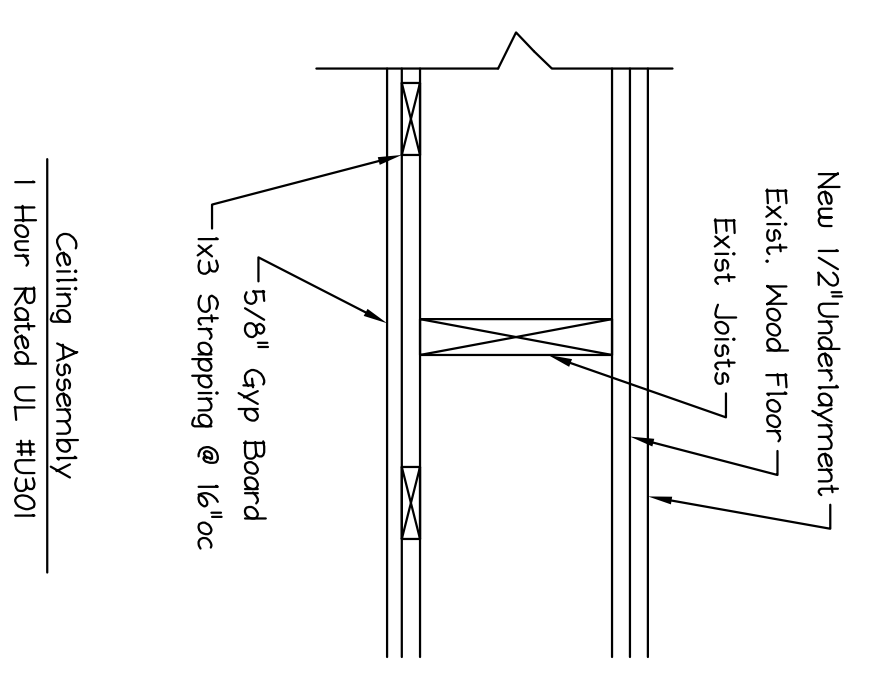


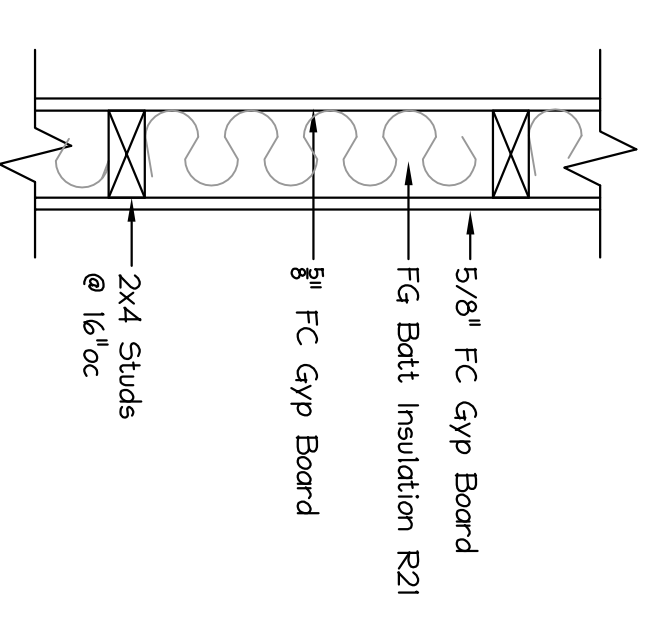
DETAIL A-3 Typical Framing/Fire Blocking Detail
Scale: 1 1/2" = 1'-0"



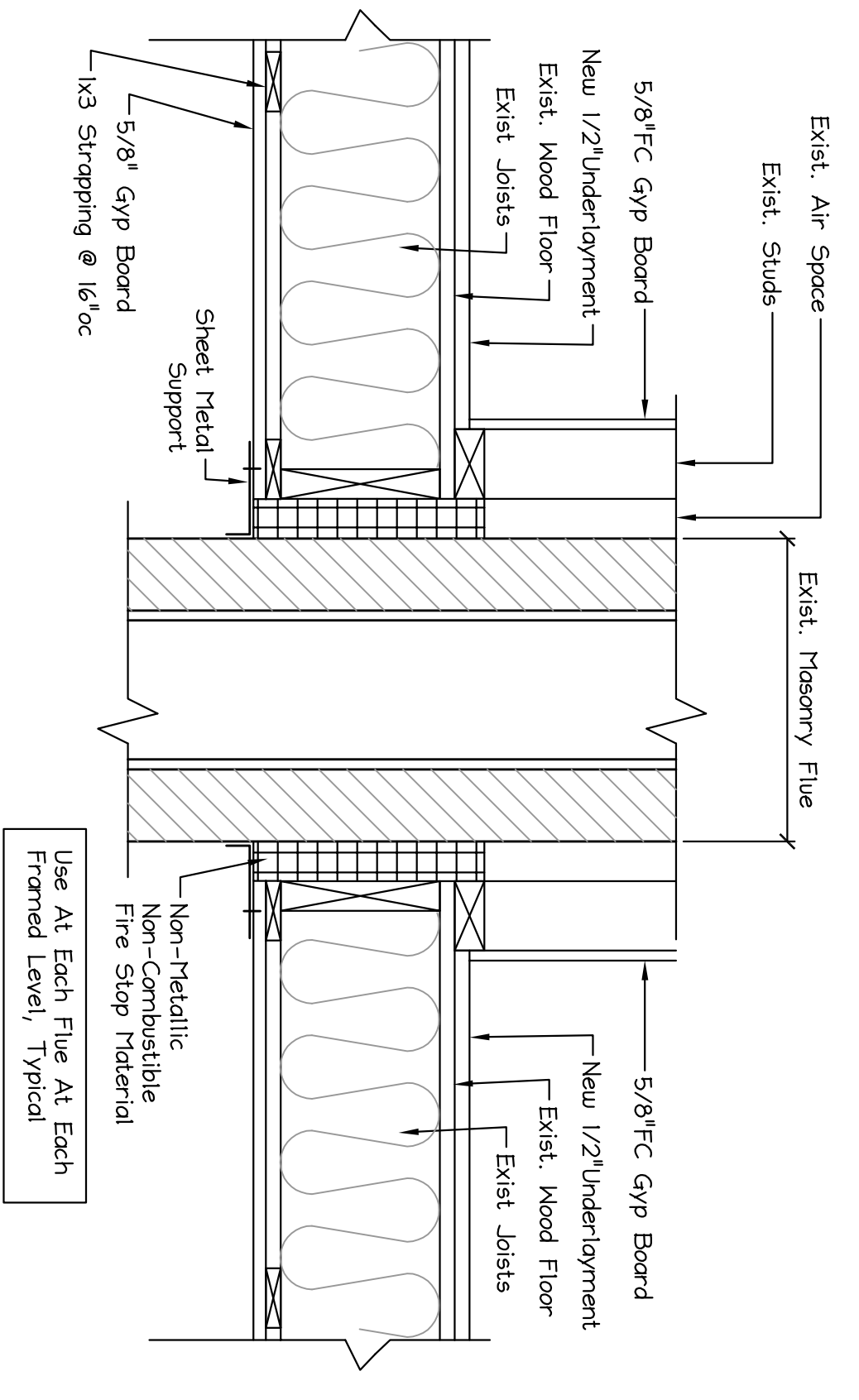
DETAIL A-3 Typical Framing/Fire Blocking Detail
Scale: 1 1/2" = 1'-0"



Ceiling Assembly
1 Hour Rated UL #1301

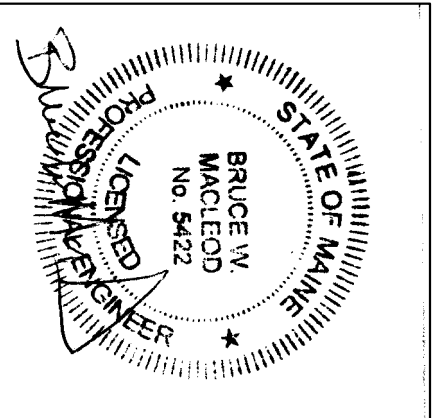


Wall Type "A"
1 Hour Rated UL #305



DETAIL B Typical Fire
Scale: 1 1/2" = 1'-0"

ISSUED FOR PERMIT 11/10/16



Macleod Structural Engineers, P.A. 404 Main Street, Gorham, Maine 04038 207.239.0980	
Moroni's Market Renovation 1576 Forest Ave. Portland, Maine	
DATE: 10/25/16 SCALE: as noted	DRAWN BY: BMM PROJ. NO: 2016-070
TITLE: FIRE BLOCKING/PENETRATIONS DRAWING NUMBER: LS-2	