

# Harvest the power of the **Sun**

## Storage Tanks for Solar Applications



- Low standby heat loss
- Heavy gauge steel with porcelain enamel coating
- Superb quality results in long service life
- Fitted with one or two large heat exchangers
- Sacrificial anode rod with wear indicator

*Leaders in  
Solar Thermal Technology*

**STIEBEL ELTRON**

*Simply the Best*

**800-582-8423**

E-mail: [info@stiebel-eltron-usa.com](mailto:info@stiebel-eltron-usa.com)

[www.stiebel-eltron-usa.com](http://www.stiebel-eltron-usa.com)

# THE POWER OF THE SUN

## Storage Tanks for Solar Applications

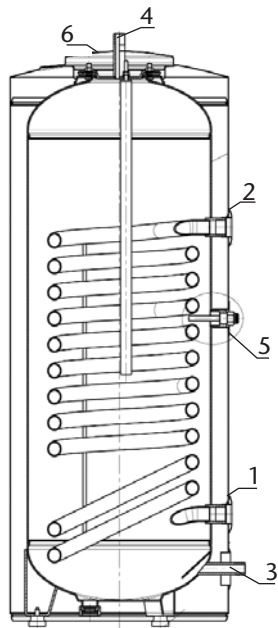
### Single Heat Exchanger Models



### Technical Data

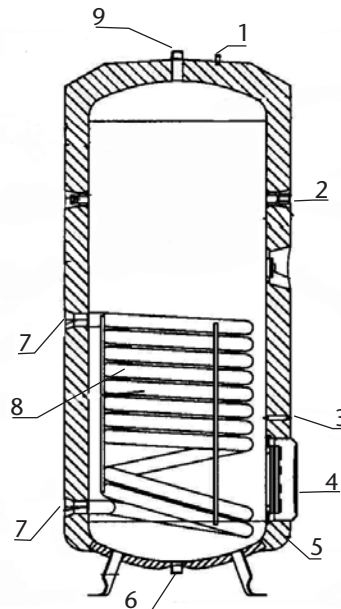
Type		SB 150 S	SB 200 S	SBB 300 S	SBB 400 S
<b>Contents</b>					
Storage capacity	Gal / ltr	39.0 / 147.63	52 / 196.84	80.6 / 305	108.6 / 411
Volume of heat exchanger, top	Gal / ltr	NA	NA	NA	NA
Volume of heat exchanger, bottom	Gal / ltr	1.9 / 7.2	2.7 / 9.1	2.7 / 10.1	2.9 / 11.3
<b>Pressure</b>					
Working pressure	PSI / bar	150 / 10	150 / 10	150 / 10	150 / 10
Tested to pressure	PSI / bar	217 / 15	217 / 15	217 / 15	217 / 15
Max. pressure of boiler loop	PSI / bar	150 / 10	150 / 10	150 / 10	150 / 10
<b>Temperature</b>					
Max. temperature solar loop	°F / °C	203 / 95	203 / 95	203 / 95	203 / 95
Max. temperature of boiler loop	°F / °C	203 / 95	203 / 95	203 / 95	203 / 95
<b>Heat exchanger</b>					
Surface area heat exchanger top	sq. inch / m <sup>2</sup>	NA	NA	NA	NA
Surface area heat exchanger bottom	sq. inch / m <sup>2</sup>	1742	2059	2325 / 1.5	2635 / 1.7
<b>Weights</b>					
Tank weight empty	lb. / kg	190 / 86.18	226 / 102.5	292 / 133	371 / 169
Tank weight full	lb. / kg	523 / 237.2	658 / 298.4	988 / 448	1304 / 591
<b>Other</b>					
Standby losses in 24 hours	BTU / kWh	6500 / 1.9	4434 / 1.3	6500 / 1.9	7500 / 2.2
Cold/hot water connection		3/4" Male NPT		for 1" copper pipe with adapters, provided with unit	
<b>Dimensions</b>					
Height with insulation	in. / mm	50.5 /	62.75 /	66.1 / 1679	72.7 / 1848
Width with insulation	in. / mm	20.5 /	20.5 /	27.55 / 700	29.52 / 750

### SB 150 S & SB 200 S models



- 1 Heat exchanger out
- 2 Heat exchanger in
- 3 Cold water inlet
- 4 Hot water outlet
- 5 Well for thermostat
- 6 T & P valve

### SBB 300 S & SBB 400 S models



- 1 Sacrificial anode indicator
- 2 Thermometer
- 3 Well for temperature sensor (solar)
- 4 Clean-out port
- 5 Foam insulation
- 6 Cold water inlet
- 7 Heat exchanger ports (solar)
- 8 Exchanger coil (solar)
- 9 Hot water outlet

**Note:** heat exchangers are steel with porcelain enamel coating.

## Dual Heat Exchanger Models

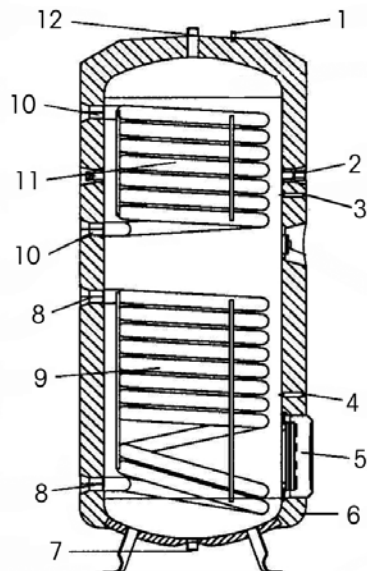


### Technical Data

Type		SBB 300 Plus	SBB 400 Plus	SBB 600 Plus
<b>Contents</b>				
Storage capacity	Gal / ltr	80.6 / 305	108.6 / 411	162.9 / 617
Volume of heat exchanger, top	Gal / ltr	1.9 / 7.3	2.2 / 8.2	2.5 / 9.6
Volume of heat exchanger, bottom	Gal / ltr	2.7 / 10.1	2.9 / 11.3	3.5 / 13.2
<b>Pressure</b>				
Working pressure	PSI / bar	150 / 10	150 / 10	150 / 10
Tested to pressure	PSI / bar	217 / 15	217 / 15	217 / 15
Max. pressure of boiler loop	PSI / bar	150 / 10	150 / 10	150 / 10
<b>Temperature</b>				
Max. temperature solar loop	°F / °C	203 / 95	203 / 95	203 / 95
Max. temperature of boiler loop	°F / °C	203 / 95	203 / 95	203 / 95
<b>Heat exchanger</b>				
Surface area heat exchanger top	sq. inch / m <sup>2</sup>	1705 / 1.1	2015 / 1.3	2945 / 1.9
Surface area heat exchanger bottom	sq. inch / m <sup>2</sup>	2325 / 1.5	2635 / 1.7	3875 / 2.5
<b>Weights</b>				
Tank weight empty	lb. / kg	339 / 154	412 / 187	544 / 247
Tank weight full	lb. / kg	1,051 / 477	1,362 / 618	1,955 / 887
<b>Other</b>				
Standby losses in 24 hours	BTU / kWh	6,500 / 1.9	7,500 / 2.2	10,000 / 2.9
Cold/hot water connection		for 1" copper pipe with adapters, adapters provided with unit		
<b>Dimensions</b>				
Height with insulation	in. / mm	66.1 / 1679	72.7 / 1848	68.3 / 1735
Width with insulation	in. / mm	27.55 / 700	29.52 / 750	36.22 / 920 *

\* Insulation is partially removeable to reduce width to 31.5" for clearance purposes

## SBB 300 Plus, SBB 400 Plus and SBB 600 Plus models



- 1 Sacrificial anode indicator
- 2 Thermometer
- 3 Well for temperature sensor (boiler)
- 4 Well for temperature sensor (solar)
- 5 Clean-out port
- 6 Foam insulation
- 7 Cold water inlet
- 8 Heat exchanger ports (solar)
- 9 Exchanger coil (solar)
- 10 Heat exchanger ports (boiler)
- 11 Exchanger coil (boiler)
- 12 Hot water outlet

**Note: heat exchangers are steel with porcelain enamel coating.**

# Harvest the power of the Sun

## Storage Tanks for Solar Applications

The Stiebel Eltron SB/SBB series water heaters are indirectly fired and are equipped with either one or two large heat exchangers. The heat exchangers are heavy gauge steel with procelain enamel coating.

The models with a single heat exchanger can be used for solar applications with some form of external backup heater. On the models with dual heat exchangers, the upper coil is typically connected to a space heating boiler fired by any fuel and the lower coil is connected to the solar panels.

All Stiebel Eltron SB/SBB series water heaters can also be used as high capacity indirectly fired water heaters in conjunction with any type of heating boiler.



Sacrificial  
anode rod

3" urethane  
foam insulation

Heat exchanger coil

### Stiebel Eltron Family of Products



Solar Panels



Temptra Tankless  
Water Heater

**Stiebel Eltron** is a world leader in the development of advanced water heating technology. We have pursued engineering excellence and high quality over a period of several decades.

Distributed by:

### STIEBEL ELTRON, Inc.

17 West Street, West Hatfield, MA 01088

Phone: (413) 247-3380 • (800) 582-8423

Fax: (413) 247-3369

E-mail: [info@stiebel-eltron-usa.com](mailto:info@stiebel-eltron-usa.com)

Please visit our web site at [www.stiebel-eltron-usa.com](http://www.stiebel-eltron-usa.com)