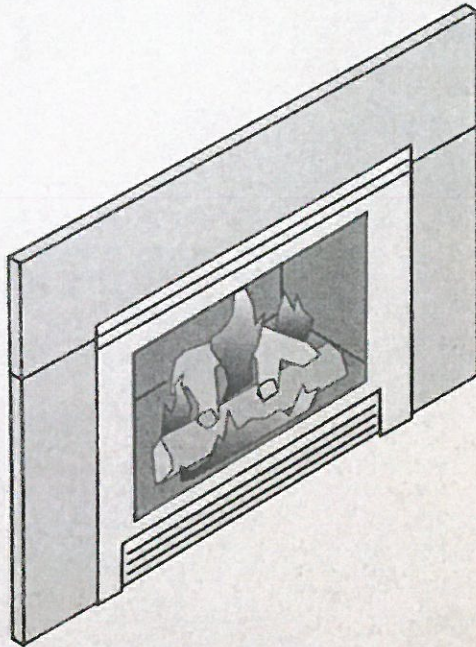
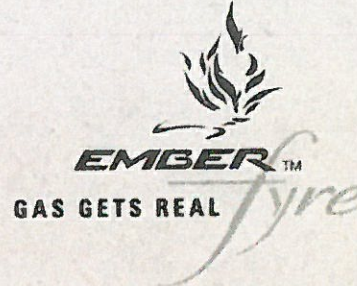




Travis Industries, Inc.



Featuring the



Burner

- Direct Vent Fireplace Insert
- Masonry or Factory Built (Metal) Fireplace
- Residential or Mobile Home



Listed

ANSI Z21.88-1998 CSA 2.33 MB8
CAN/CGA 2.17 MB1, U.L. 307b

WARNING: Improper installation, adjustment, alteration, service or maintenance can cause injury or property damage. Refer to this manual. For assistance or additional information consult a qualified installer, service agency, or the gas supplier.

- Do not store or use gasoline or other flammable vapors and liquids in the vicinity of this or any other appliance.
- Installation must be performed by a qualified installer, service agency or the gas supplier

IF YOU SMELL GAS

- Do not try to light any appliance.
- Do not touch any electrical switch; do not use any phone in your building.
- Immediately call gas supplier from a neighbor's phone. Follow the gas supplier's instructions.
- If you cannot reach your gas supplier, call the fire department.

DVS Insert EF Manual



Installer: After installation give this manual to the home-owner and explain operation of this heater.

**TRAVIS INDUSTRIES
HOUSE OF FIRE**
4800 Harbour Pointe Blvd. SW
Mukilteo, WA 98275

© Copyright 2004, Travis Industries, Inc. \$10.00 100-01150

Vent Requirements

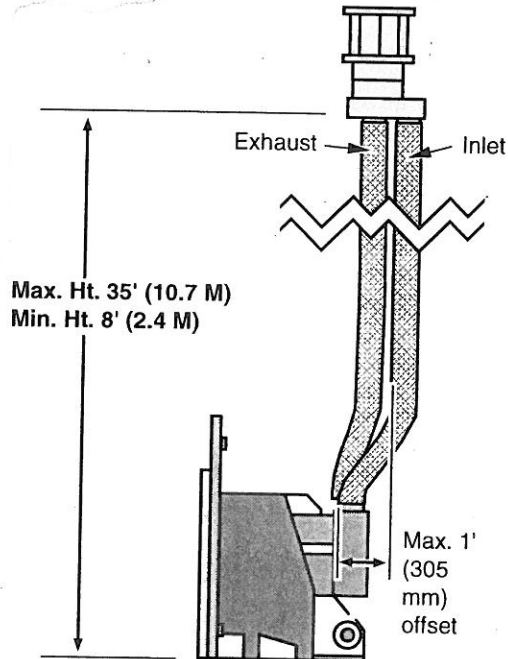
The gas appliance and vent system must be vented directly to the outside of the building, and never be attached to a chimney serving a separate solid fuel or gas-burning appliance. Each direct vent gas appliance must use its own separate vent system.

- ! Make sure the exhaust pipe on the heater connects to the exhaust portion of the cap. The illustrations below show how the flex liners should be attached.
- The exhaust vent must reline the entire length of the chimney and terminate above the chimney top
- ! Be careful not to crimp or rupture the liner when bending it into chimney offsets
- When installed, the vent must meet all of the vent manufacturer's requirements
- Make sure to order the following:
 - 3" UL 441 Gas Liner for Air Inlet and Exhaust
 - Dura-Vent Adapter & Flashing (part # 923GK).
 - Vertical Termination Cap (Dura-Vent pt # 991)

Altitude Considerations

This heater has been tested at altitudes ranging from sea level to 8,000 feet (2,400 M). In this testing we have found that the heater, with its standard orifice, burns correctly with just an air shutter adjustment. If local codes require resizing the orifice, in the U.S.A. refer to ANSI 223.1, Appendix P, in Canada B-149.1 or B-149.2

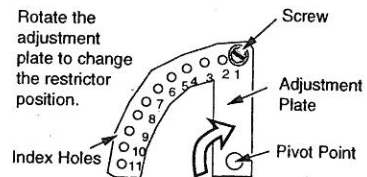
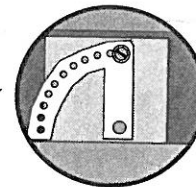
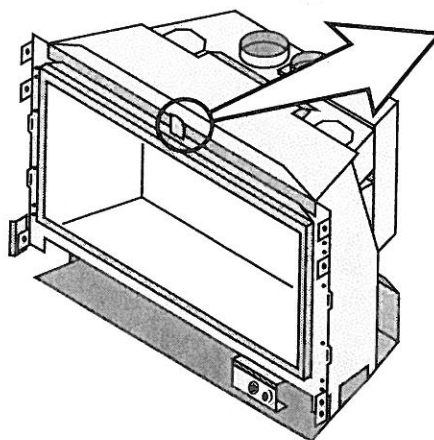
- ! Failure to adjust the air shutter properly may lead to improper combustion which can create a safety hazard. Consult your dealer or installer if you suspect an improperly adjusted air shutter.



Vent Restrictor

WARNING: Restrictor adjustment should only be done by a qualified installer.

Only those installations determined to be over-drafting require this adjustment. The best indication of over-drafting is a hyper-active flame pattern (flames that move too quickly). If the air shutter is constricted, the flames become short and yellow, yet still very active. Over-drafting may affect the pilot, but this is not the best way to determine over-drafting. Over-drafting is most likely in tall venting configurations (especially if using an "Exhaust Only Re-Line"). Do not over-restrict the vent (this leads to ghosting or lifting flames - reduce restrictor setting).



This restrictor is in Position #3.

NOTE: Position #1 is the fully open position

To Adjust the Restrictor:

- 1 Determine a restrictor position. Start low (move the restrictor a maximum two positions at a time) and thoroughly test the heater before adjusting further.
- 2 Remove the screw with a 1/4" nutdriver (or screwdriver).
- 3 Rotate the adjustment plate clockwise until the correct index hole is below the pivot point.
- 4 Insert the screw into the correct index hole and tighten.

Features:

- Works During Power Outages (millivolt system)
- High Efficiency
- Optional Thermostat or Remote Control
- Ember Fyre™ for a "Wood Fire" Look
- Quiet Blower for Effective Heat Distribution
- Convenient Operating Controls
- Variable-Rate Heat Output
- Low Maintenance

Installation Options:

- Residential or Mobile Home
- Fireplace Insert
- Masonry or Zero Clearance (Metal) Fireplace

Heating Specifications:

Approximate Heating Capacity (in square feet)*
 BTU Input Per Hour on High
 BTU Input Per Hour on Low
 Efficiency** (with blowers on)
 AFUE (Annual Fuel Utilization Efficiency)

Natural Gas

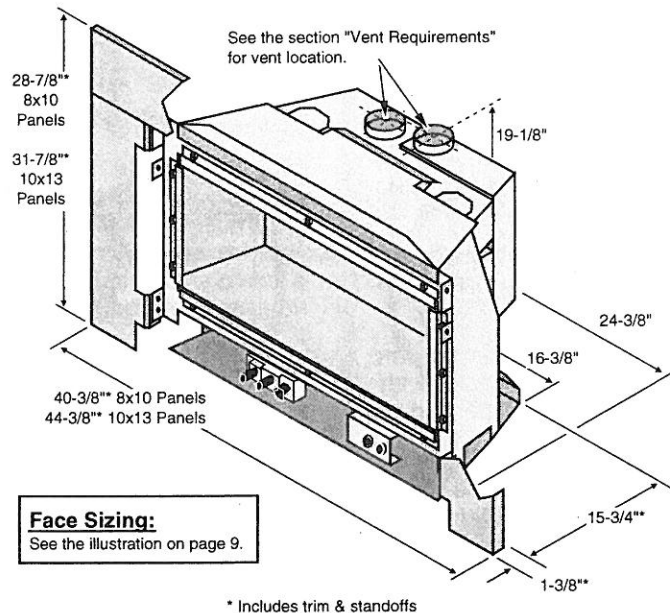
500 to 1,500
 31,000
 18,600
 80 %
 71.3 %

Propane

500 to 1,500
 31,000
 16,000
 80.5 %
 71.8 %

* Heating capacity will vary with floor plan, insulation, use of power heat vent, and outside temperature.

** Efficiency rating is a product thermal efficiency rating determined under continuous operation independent of installed system.



Face Sizing:
See the illustration on page 9.

Fuel:

This heater is designed either for natural gas or for propane. Check the sticker on top of the gas control valve or check with the installer to verify gas use.

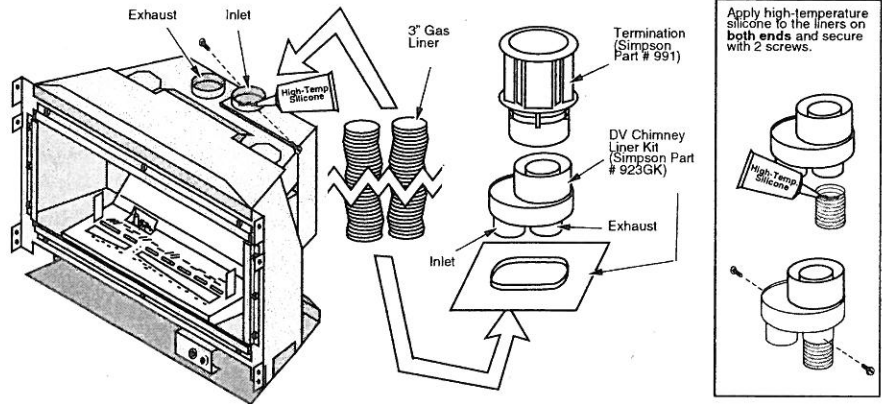
Compliance:

This unit has passed the ANSI Z21.88 – 1998, CSA 2.33 M98 Vented Gas Fireplace Heater Standard as tested by OMNI-Test Laboratories, Inc. Beaverton, Oregon.

Electrical:

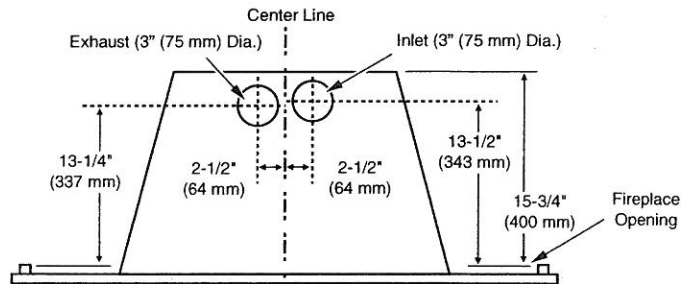
120 Volts, 1.3 Amps, 60 Hz (150 watts on high)

Vent Installation



Make sure to route the exhaust liner to the exhaust portion of the cap.

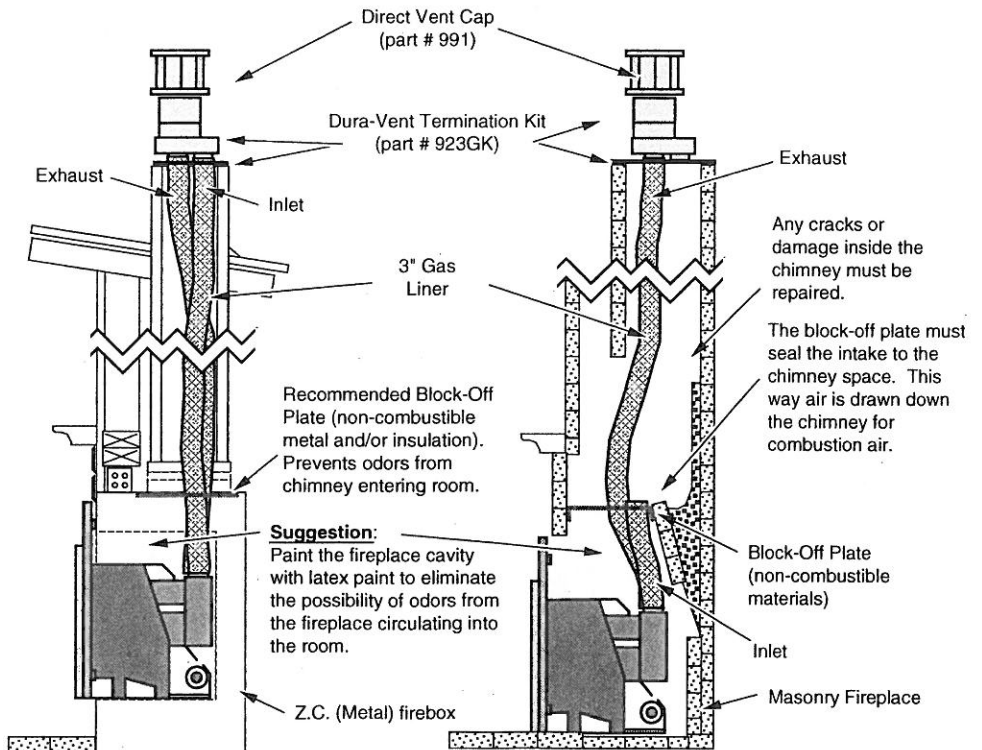
Vent Location



Vent Configurations

Inlet & Exhaust Re-Line

Exhaust Only Re-Line (recommended)



NOTE: You may use either re-line configuration with a masonry or zero-clearance fireplace.