

City of Portland, Maine - Building or Use Permit Application

389 Congress Street, 04101 Tel: (207) 874-8703, Fax: (207) 874-8716

Permit No: 08-1435	Issue Date:	CBL: 297 C022001
-----------------------	-------------	---------------------

Location of Construction: 132 DOROTHY ST	Owner Name: CLUKEY HARLEIGH P & LORR	Owner Address: 132 DOROTHY ST	Phone:
Business Name:	Contractor Name: Butterfield Stonework & Landscapin	Contractor Address: P.O. Box 487 Windham	Phone: 2072327793
Lessee/Buyer's Name	Phone:	Permit Type: HVAC	Zone: R-3

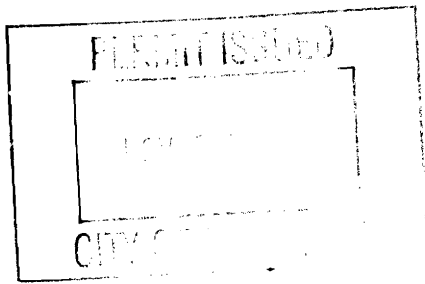
Past Use: Single Family Home	Proposed Use: Single Family Home = install a Hitzer Heater Model E-Z flo 50-93	Permit Fee: \$40.00	Cost of Work: \$1,500.00	CEO District: 5
		FIRE DEPT: <input type="checkbox"/> Approved <input checked="" type="checkbox"/> Denied Signature: <i>W/A</i>	INSPECTION: Use Group: <i>R-3/0</i> Type: <i>HVAC</i> Signature: <i>[Signature]</i>	

Proposed Project Description:
install a Hitzer Heater Model E-Z flo 50-93

PEDESTRIAN ACTIVITIES DISTRICT (P.A.D.)
Action: Approved Approved w/Conditions Denied
Signature: _____ Date: _____

Permit Taken By: Idobson	Date Applied For: 11/10/2008	Zoning Approval
-----------------------------	---------------------------------	------------------------

- This permit application does not preclude the Applicant(s) from meeting applicable State and Federal Rules.
- Building permits do not include plumbing, septic or electrical work.
- Building permits are void if work is not started within six (6) months of the date of issuance. False information may invalidate a building permit and stop all work..



Special Zone or Reviews	Zoning Appeal	Historic Preservation
<input type="checkbox"/> Shoreland <input type="checkbox"/> Wetland <input type="checkbox"/> Flood Zone <input type="checkbox"/> Subdivision <input type="checkbox"/> Site Plan Maj <input type="checkbox"/> Minor <input type="checkbox"/> MM <input type="checkbox"/> Date: <i>11/14/08</i>	<input type="checkbox"/> Variance <input type="checkbox"/> Miscellaneous <input type="checkbox"/> Conditional Use <input type="checkbox"/> Interpretation <input type="checkbox"/> Approved <input type="checkbox"/> Denied Date: _____	<input checked="" type="checkbox"/> Not in District or Landmark <input type="checkbox"/> Does Not Require Review <input type="checkbox"/> Requires Review <input type="checkbox"/> Approved <input type="checkbox"/> Approved w/Conditions <input type="checkbox"/> Denied Date: <i>11/14/08</i>

CERTIFICATION

I hereby certify that I am the owner of record of the named property, or that the proposed work is authorized by the owner of record and that I have been authorized by the owner to make this application as his authorized agent and I agree to conform to all applicable laws of this jurisdiction. In addition, if a permit for work described in the application is issued, I certify that the code official's authorized representative shall have the authority to enter all areas covered by such permit at any reasonable hour to enforce the provision of the code(s) applicable to such permit.

SIGNATURE OF APPLICANT	ADDRESS	DATE	PHONE
RESPONSIBLE PERSON IN CHARGE OF WORK, TITLE		DATE	PHONE

BUILDING PERMIT INSPECTION PROCEDURES

Please call 874-8703 or 874-8693 (ONLY)

to schedule your inspections as agreed upon

Permits expire in 6 months, if the project is not started or ceases for 6 months.

The Owner or their designee is required to notify the inspections office for the following inspections and provide adequate notice. Notice must be called in 48-72 hours in advance in order to schedule an inspection:

By initializing at each inspection time, you are agreeing that you understand the inspection procedure and additional fees from a "Stop Work Order" and "Stop Work Order Release" will be incurred if the procedure is not followed as stated below.

A Pre-construction Meeting will take place upon receipt of your building permit.

 X **Final inspection required at completion of work.**

Certificate of Occupancy is not required for certain projects. Your inspector can advise you if your project requires a Certificate of Occupancy. All projects DO require a final inspection.

If any of the inspections do not occur, the project cannot go on to the next phase, REGARDLESS OF THE NOTICE OR CIRCUMSTANCES.

CERIFICATE OF OCCUPANICES MUST BE ISSUED AND PAID FOR, BEFORE THE SPACE MAY BE OCCUPIED.

Signature of Applicant/Designee

Date

Signature of Inspections Official

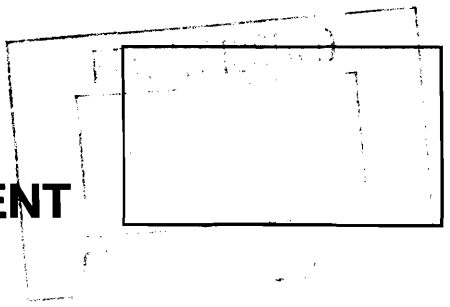
Date

11/14/08



FILL IN AND SIGN WITH INK

APPLICATION FOR PERMIT HEATING OR POWER EQUIPMENT



To the INSPECTOR OF BUILDINGS, PORTLAND, ME.

The undersigned hereby applies for a permit to install the following heating, cooking or power equipment in accordance with the Laws of Maine, the Building Code of the City of Portland, and the following specifications:

Location / CBL 292C-22 Use of Building SFH Date 11.10.08
 Name and address of owner of appliance Harleigh P. Clukey, Jr.
132 Dorothy St. Portland, ME 04103
 Installer's name and address Douglas Butterfield Butterfield Stonework and Landscaping, LLC
P.O. Box 487 Windham ME Telephone 207 232-7793

Location of appliance:

Basement Floor
 Attic Roof

Type of Fuel:

Gas Oil Solid

Appliance Name: HITZER Heater Model E-IF16
 U.L. Approved Listed Yes No 50-93

Will appliance be installed in accordance with the manufacture's installation instructions? Yes No

IF NO Explain: _____

The Type of License of Installer:

Master Plumber # _____
 Solid Fuel # _____
 Oil # _____
 Gas # _____
 Other _____

Type of Chimney:

Masonry Lined
 Factory built _____

Metal
 Factory Built U.L. Listing # UL 103 HT

Direct Vent
 Type _____ UL# _____

Type of Fuel Tank

Oil
 Gas

Size of Tank _____

Number of Tanks _____

Distance from Tank to Center of Flame _____ feet.

Cost of Work: \$ 1500
Permit Fee: \$ 40

Approved

Approved with Conditions

Fire: _____
 Ele.: _____
 Bldg.: _____

See attached letter or requirement

Signature of Installer [Signature] Inspector's Signature _____ Date Approved _____

White - Inspection Yellow - File Pink - Applicant's Gold - Assessor's Copy

**STATE OF MAINE
CHIMNEY OR FIREPLACE CONSTRUCTION/INSTALLATION DISCLOSURE**

Dear Consumer: State law, specifically 32 M.R.S.A. § 2313-A, requires that chimney or fireplace installers, as of January 1, 1992, provide you with this "Disclosure" prior to the installation or construction of your chimney or fireplace. The purpose of this Disclosure is to inform you that the National Fire Protection Standard #211 (NFPA #211) is the current standard which applies to all new construction of chimneys and fireplaces. Please note that the State of Maine does not require registration or licensure of chimney or fireplace installers. It is important to realize that many fires are caused each year from improperly constructed fireplaces and chimneys. This disclosure form should help you in making an informed decision as to the abilities of the installer and under what requirements the installation must comply.

INSTALLER INFORMATION

Name of Installer: <i>Douglas Butterfield</i>		D/B/A: <i>Butterfield Stonework and Landscaping LLC</i>	
Name of Installer (if incorporated): <i>Douglas Butterfield</i>		D/B/A: <i>Butterfield Stonework and Landscaping LLC</i>	
Legal Address:			
City:	State:	Zip Code:	
County:	Home Telephone: (<i>207</i>) <i>232</i> - <i>7793</i>		
	Work Telephone: (<i>207</i>) <i>232</i> - <i>7793</i>		
Years of experience doing fireplace or chimney installations: <i>26</i>			

CONSUMER INFORMATION

Name of Consumer: <i>Harleigh P. Clukey, Jr.</i>		
Mailing Address: <i>132 Dorothy St.</i>		
City: <i>Portland</i>	State: <i>ME</i>	Zip Code: <i>04103</i>
County: <i>Cumberland</i>	Home Telephone: (<i>207</i>) <i>878</i> - <i>8538</i>	
	Work Telephone: (<i>207</i>) <i>712</i> - <i>5546</i>	

Installer, please give a brief description of installation being offered: *Install stainless steel Duratech chimney. Connect chimney to Hitzer 50-93 stove heater.*

I hereby attest that the preceding information provided is true to the best of my knowledge. I also understand that if I fail to conform with the standards as outlined in NFPA #211 that I shall be subject to penalties as outlined in Title 32, M.R.S.A., Chapter 33 and the Oil and Solid Fuel Board Rules.

Signature of Installer: *[Signature]* Date: *11/1/08*



DURATECH CHIMNEY
5"-8" DIAMETER
INSTALLATION INSTRUCTIONS



MH7399

A MAJOR CAUSE OF CHIMNEY RELATED FIRES IS FAILURE TO MAINTAIN REQUIRED CLEARANCES (AIR SPACES) TO COMBUSTIBLE MATERIALS. IT IS OF THE UTMOST IMPORTANCE THAT THIS CHIMNEY BE INSTALLED ONLY IN ACCORDANCE WITH THESE INSTRUCTIONS.

Read through all these instructions before beginning your installation. Failure to install the chimney as described in these instructions will void the manufacturer's warranty and may have an effect on your homeowner insurance and UL listing status. Keep these instructions for future use.

CONTENTS

CLEARANCES	1
PERMITS	2
DURATECH CHIMNEY APPLICATIONS	2
EQUIPMENT & MATERIALS	2
INSTALLATION NOTES	3
CHIMNEY DIAMETER	3
CHIMNEY HEIGHT	3
CHIMNEY PLACEMENT	4
CHIMNEY ENCLOSURE REQUIREMENTS	4
STOVE RECOMMENDATIONS	5
STEP-BY-STEP DIRECTIONS	5
CEILING SUPPORTED	5
OFFSET ELBOW INSTALLATION	10
EXTENDED ROOF BRACKET INSTALLATION	11
ROOF SUPPORTED INSTALLATIONS	12
TEE-SUPPORTED INSTALLATIONS	16
MASONRY FIREPLACE INSTALLATIONS	21
ZERO-CLEARANCE FIREPLACE INSTALLATIONS	22
CONNECTION FROM APPLIANCE TO CHIMNEY SYSTEM	22
CHIMNEY MAINTENANCE	23

CLEARANCES

Always allow at least a 2-inch clearance between DuraTech Chimney Pipe and any combustible materials. Never fill any required clearance space with insulation or any other materials. Combustible materials include lumber,

INSTALLATION NOTES

Proper planning for your DuraTech Chimney installation will result in greater safety, efficiency, and convenience, as well as saving time and money. You must use only authorized DuraTech Chimney parts to maintain a listed Chimney system (not including the connector pipe). Do not mix parts or try to match with other products, or use improvised solutions. Do not install damaged or modified parts. Table 1 lists the authorized DuraTech Chimney components. Practice good workmanship. Sloppy work could jeopardize your chimney's safety. Keep electrical wiring and insulation away from all chimneys and stovepipes. If you have any questions, be sure to contact either your dealer or Simpson Dura-Vent directly.

Table 1: DuraTech Chimney Components	
Part	Part
6", 12", 18", 24", 36" & 48" Pipe Sections	Firestop Radiation Shield
Elbow with swivel	Attic Insulation Shield
Tee with Tee Cap	Elbow Strap
Adjustable Tee Support Bracket	Adjustable Wall Strap
Chimney Cap	Anchor Plate
Round Ceiling Support Box	Extended Roof Bracket
Trim collars for Round Support Boxes	Adjustable Roof Flashing
Square Ceiling Support Box	Chase Top Flashing
Flat Ceiling Support Box	Flat Roof Flashing
Roof Support	Storm Collar
Trim collar for Roof Support	Transition Anchor Plate
Wall Thimble	Base Tee and Double Base Tee
Finishing Collar	Firestop

CHIMNEY DIAMETER

Follow the appliance manufacturer's instructions to determine chimney diameter and clearances between combustible materials and your heating appliance. Never choose a chimney with an inside diameter smaller than your appliance's outlet. To calculate the chimney's outside diameter, add 2 inches to the inside diameter.

CHIMNEY HEIGHT

The National Fire Protection Association Standard #211 states: "Chimneys shall extend at least three feet above the highest point where it passes through the roof of a building, and at least two feet higher than any portion of a building within ten feet" (Fig 1) DuraTech Chimney may be installed up to 60 feet high. If the chimney extends more than 5 feet above the roof, an Extended Roof Bracket must

STOVE RECOMMENDATIONS

Follow the stove manufacturer's instructions. The requirements stated below pertain to all stoves or other appliances installed with DuraTech Chimney systems.

Choice: Choose an appliance that is listed by a recognized testing laboratory, is appropriate for your needs, and is not larger than required.

Installation: *Once the chimney system is in place, install the stovepipe to connect the appliance to the chimney as described in the appliance manufacturer's instructions. Be sure to maintain all required clearances.*

Flues: Connect only one solid fuel appliance per chimney.

Operation: Follow the appliance manufacturer's instructions for maximum efficiency and safety. Overfiring can damage the appliance, stovepipe and chimney.

Fuels: Do not burn driftwood, plastic, or chemically treated wood such as railroad ties. They are corrosive to your appliance, stovepipe and chimney. Follow the appliance manufacturer's instructions and safety manual in regards to fuels. Not all appliances are equipped to burn coal. Coal with a low sulfur content will reduce the possibility of corrosion.

Mobile Homes: Please read the appliance manufacturer's instructions and safety manual carefully. Not all appliances are listed for use in mobile homes.

STEP-BY-STEP DIRECTIONS

There are five general types of DuraTech Chimney installations:

1. Ceiling-supported
2. Roof-supported
3. Tee-supported (through-the-wall)
4. Masonry Fireplace
5. Zero-Clearance Fireplace

Review the step-by-step directions before beginning your installation.

CEILING SUPPORTED

1. Place Appliance: Position the appliance according to the manufacturer's instructions. The flue outlet collar should be placed between the rafters or joists above, if possible.

2. Frame Support Opening: Drop a plumb bob to the center of the appliance's flue outlet and mark this center point on the ceiling. Refer to Table 2 for specific *framing and clearance dimensions*. Mark *appropriate cutting lines* around the center point. Cut a square hole in the ceiling for the Support Box. Frame a level, square opening centered over the hole which you have cut. (Figures 3 and 4).

3. Install Support: For installation into a flat ceiling, you may use either the Round Support Box, the Flat Ceiling Support Box, or the Square Ceiling Support Box. The

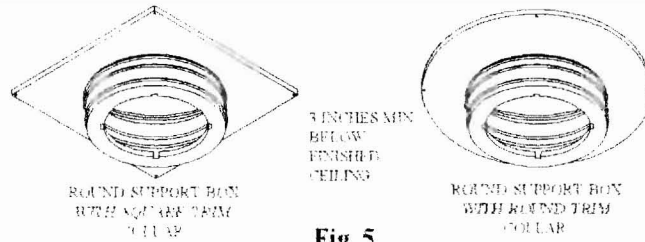


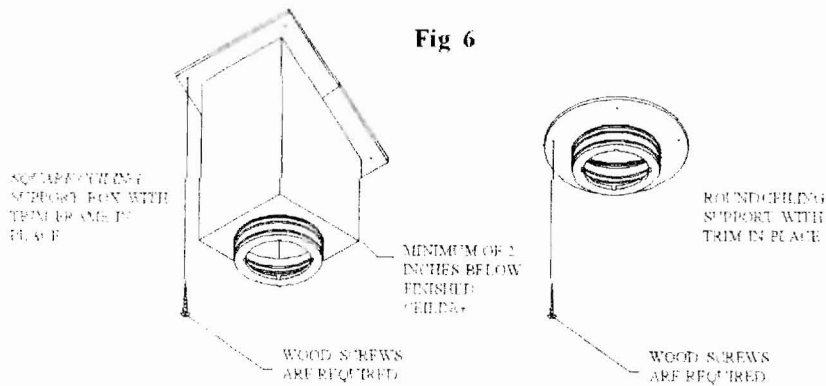
Fig 5

using the (6) 1-1/4" long, round head wood screws provided (see Fig 6).

4. Frame Openings: Frame openings in each ceiling or floor above the Support Box (Fig 7). These openings are to hold the Firestop Radiation Shield and Attic Insulation Shield. Locate each opening by dropping a plumb bob to the four corners of the opening below. Maintain the minimum clearances and dimensions as specified in Table 2. If Elbows must be used to avoid an obstruction, refer to the Offset Elbow Installation section.

5. Cut Roof Opening: Cut an opening in the roof directly above the opening below, and at least 4 inches larger than the chimney's outside diameter to provide at least a 2-inch clearance all around the chimney. The chimney must be centered within this opening and maintain the 2-inch clearance to combustibles.

6. Install Firestop Radiation Shield: A Firestop Radiation Shield is required in multistory installations at each floor penetration above that where the Support Box is located. Example: in a multistory home where the appliance is on the ground floor (Support Box is in the 1st floor ceiling), you would need a Firestop Radiation Shield at the 2nd floor ceiling, and at the 3rd floor ceiling, etc., including where the chimney penetrates into the attic. Figure 7 shows a typical 2-story installation with an attic. Note: a Firestop Radiation Shield is not installed where the chimney penetrates through the roof. The Firestop Radiation Shield is installed on the underside of the ceiling/floor framing, with the cylindrical "tube" portion of the shield



modifications are necessary. The Firestop Radiation Shield will fit inside the Attic Insulation Shield

b. Assemble Chimney Sections until at least 18 inches of chimney extends above the Firestop Radiation Shield.

c. Extend the Firestop Radiation Shield tube extension (keep at least 1" overlap), and secure in place using sheet metal screws.

d. Slip the Attic Insulation Shield over the Chimney and Firestop Radiation Shield until the base sits squarely on the framed opening (Fig 7 & 10).

e. Secure the Attic Insulation Shield to the top of the framed opening using at least (3) 8-penny nails or (3) #8, 1-1/2" wood screws per side (Fig 10).

f. Wrap the Collar of the Attic Insulation Shield around the chimney and fasten it loosely. Slide the Collar down to meet the Attic Insulation Shield. Slip the tab through the adjacent slot and fold it back to tighten and secure the Collar (Fig 11).

9. Attach Flashing: In new construction, assemble the Chimney Sections to a point above the roof, then slip the Flashing over the chimney. On an existing roof, center and install the Flashing before extending the chimney above the roof. Allow space to permit sliding the next Chimney Section up through the Flashing. Always insure the chimney remains vertical (use a level), and that at least a 2-inch clearance to combustible materials is maintained all around. Install the upper edge of the Flashing under the roofing. Nail to the roof along the upper edge and down each side with 1-inch roofing nails. Do not nail the lower edge of the Flashing (Fig 12). Be sure to follow local building practices, as needed. Seal all nail heads with a non-hardening waterproof sealant. On flat or tarred and graveled roofs, nail and seal the Flat Roof Flashing to the roof on all sides with roofing compound. Do not put screws through the Flashing into the Chimney Pipe.

10. Finish Top: Apply a high-temperature (500°F), non-hardening waterproof

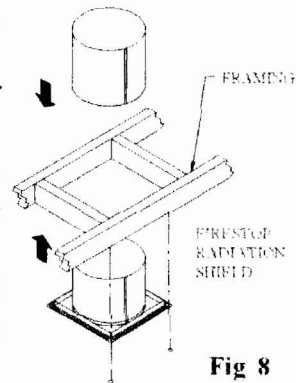


Fig 8

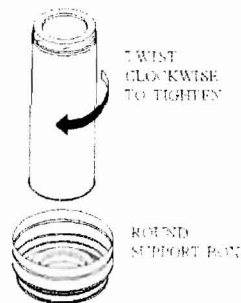


Fig 9

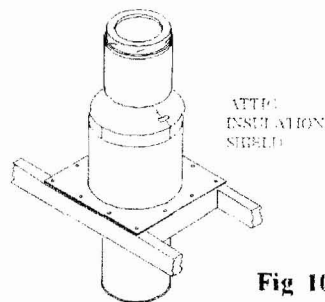


Fig 10

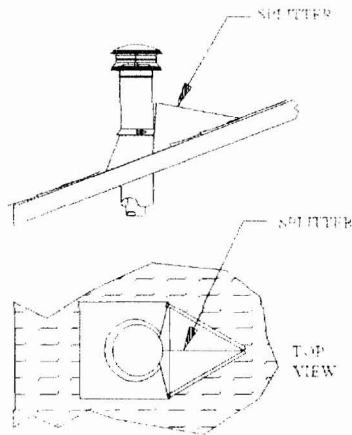


Fig 14

1. Attach Elbows: Attach Elbow to Chimney Section or other Elbow by twisting clockwise until they lock firmly. Attach one Elbow to the Chimney Section below, and align it for the offset. Elbows for DuraTech have a swivel feature that allow for 360° rotation at their base for ease of installation. Refer to Table 3 to determine the required offset length and attach an appropriate length (or lengths) of Chimney Section(s) above the Elbow. The maximum length of chimney pipe between elbows is not to exceed 72" (maximum of two chimney sections only). Attach the second Elbow above the Chimney Section to complete the offset (Fig 15).

2. Secure Offset: Place the Elbow Strap's band around the angled portion of the top Elbow, then tighten the nut and bolt until the clamp is firm. Wrap the Elbow Strap end over an adjacent joist or rafter and secure it with at least (2) 8-penny nails or (2) #8, 1-1/2 screws. Do not add more Chimney Sections until the Elbows are supported. Be sure that the chimney remains vertical. If there is more than one Chimney Section between the Elbows, install a second Elbow Strap around the joint of the two Chimney Sections (Fig 15)

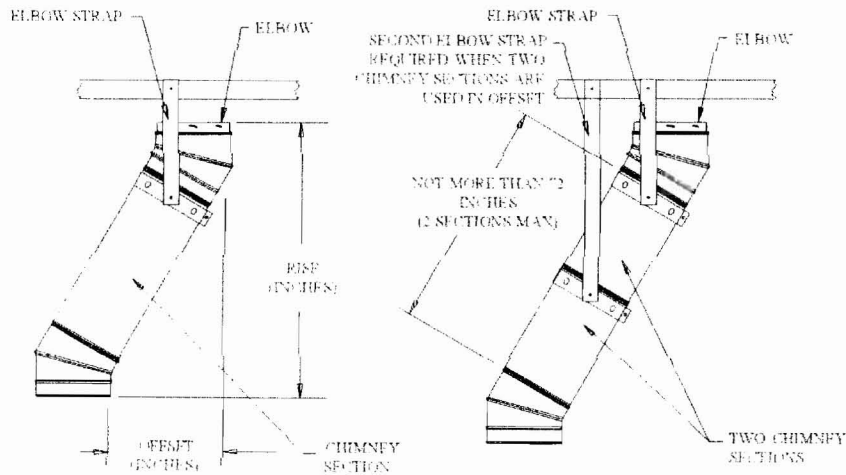


Fig 15

EXTENDED ROOF BRACKET INSTALLATION

If the chimney extends more than 5 feet above the roofline, an Extended Roof

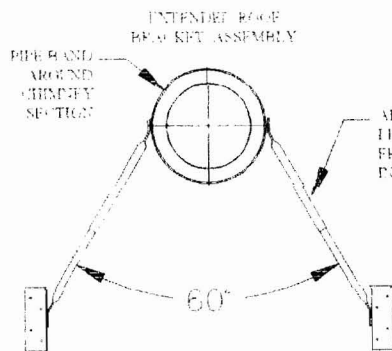


Fig 16

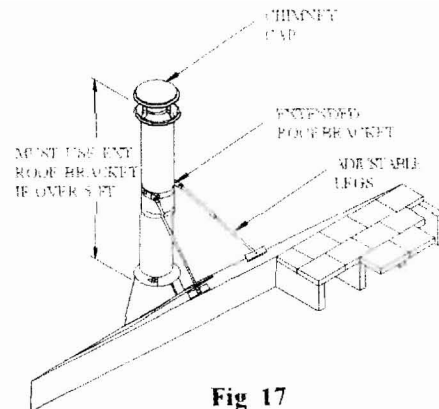


Fig 17

installations are roof supported. Do not seal openings in flashing.

- 1. Place Appliance:** Place the appliance in its proper location, referring to the manufacturer's instructions as to allowable distances from combustibles, etc.
- 2. Cut Openings:** Cut a roof opening in your desired location, just as in a Ceiling-Supported Installation (Steps 1 through 5, page 5). If a separate ceiling and roof exists, as shown in Figure 18 (Low Attic), first cut and frame a ceiling opening as described in Ceiling-Supported Installations (Step 2). Refer to Table 2 for clearance and framing specifications. If it is desired to install through a cathedral ceiling (Fig 19), then the hole is cut in the roof.
- 3. Install Support Box:** Slip the Square Support Box into the framed opening so the square portion projects at least 2 inches below the finished ceiling and rafters (bottom of round portion is 5" below), and extends above the ceiling to framing or decking materials that it can be nailed to. Level the Support Box, and slit the corners to the roofline where they extend beyond it. Bend the flaps (created by the slitting) flush with the roof, and nail the Support Box to the roof or framing with at least three (3) 8-penny nails, or (3) 1-1/2", #8 screws, per side (Fig 20). Be sure to keep the Support Box level. Screw the trim sections into the ceiling (Fig 6).
- 4. Complete Installation:** Refer to Steps 7, 9 & 10 in the Ceiling Supported Installation section to complete the Roof Supported installation.

(2) A Roof Support is also used in installations where there is a cathedral ceiling, and a Square Ceiling Support is not desired. The Roof Support allows the DuraTech chimney to come down into the room below the level of the ceiling (Fig 21). The Roof Support can support a maximum of 45 feet of DuraTech Chimney total, and maximum of 20 feet below the support. If a taller stack of DuraTech Chimney is required, you must use a Square Ceiling Support Box instead.

1. Cut and frame opening to provide a minimum 2" clearance on all sides of the chimney pipe. Note: Opening in finished ceiling should be circular/oval in order for it to be covered by Trim Collar.

2. Bolt on the Roof Support Brackets to the Roof Support Band using the supplied hardware. Attach the Roof Support Brackets to roof using (4) 8 penny nails or (4) #8, 1-1/2" screws per side (Fig 21).

3. Determine how much DuraTech Chimney will be extending into the room (minimum of 3" below the ceiling). Be sure to maintain the proper clearance to combustibles (walls and ceilings) for the connector pipe. Once you have identified the proper height for your installation, attach the of the Roof Support Band to the Chimney Section by tightening the Bolt, and secure it by using (4) supplied sheet metal screws.

4. Attach desired length of Chimney Sections above and below the roof level (max. of 45' total, 20' below the support). To transition to the Connector Pipe, attach the Finishing Collar by twist locking it to the bottom section of DuraTech Chimney.

5. Slide Trim Collar over the DuraTech Chimney and attach the Trim Collar to the ceiling using (4) 1-1/4" screws provided (Fig 21).

6. Refer to Steps 10 & 11 in the Ceiling Supported Installation section (page 9) to complete the Roof Supported installation.

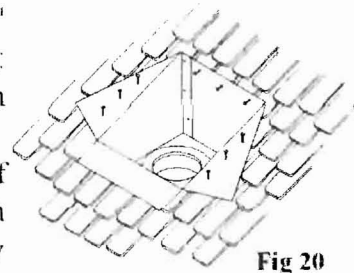


Fig 20

Alternative Installation Location for Roof Support: The Roof Support may be used at the bottom of a Chimney installation (Fig 22). This may be useful for some

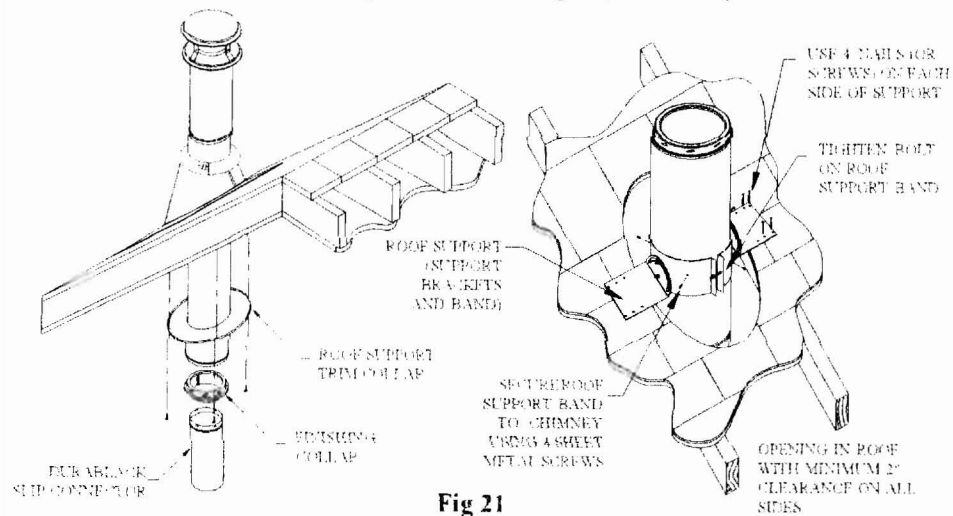


Fig 21

will pass through the wall. The chimney should pass through the wall, centered between two studs. The height of the penetration can be determined by positioning sections of stove pipe until you have the desired configuration (refer to the appliance manufacturer's installation instructions for restrictions on stove pipe). Cut and frame an opening in the inner and outer walls at this location. Refer to Table 2 (page 8) for the appropriate framing dimensions.

3. Install Wall Thimble: The Wall Thimble is a three piece unit which includes the cover plate, sleeve extension, and the back portion with shield.

On the outside wall, install the back portion of the Wall Thimble. Center the back portion of the Wall Thimble (with shield inside wall) in the framed opening of the outside wall. Be sure to seal the flange of the Wall Thimble around the wall by using a non-hardening waterproof sealant. Attach the back portion of the Wall Thimble to the outside wall using at least (4) 8-penny nails or (4) #8, 1-1/2" wood screws. Depending on the thickness of your wall, you will need to adjust the shield extension to insure that you have a continuous shield throughout the wall penetration. You may field-fabricate a longer extension tube if needed. Adjustments can be made by sliding the extension in or out of the back portion of the shield. Verify that the shield extension reaches the

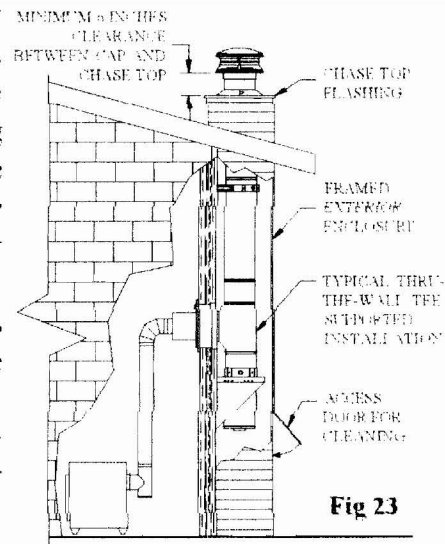


Fig 23

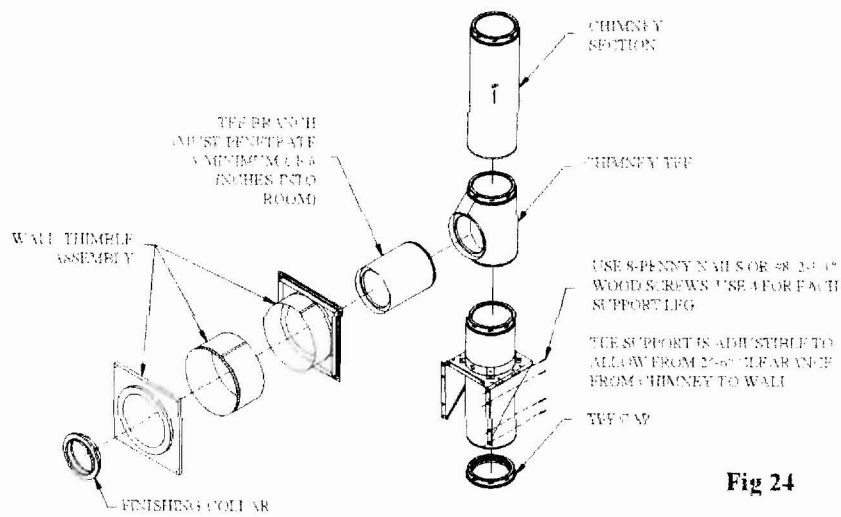


Fig 24

chimney section at proper height to insure that Tee is centered through Wall Thimble (Fig 25 & 26). Use the 1/2" sheet metal screws provided to insure a tight connection between support band and chimney section. Connect support band to support base using the 1/2" sheet metal screws provided (Fig 26). Twist lock Tee Cap into bottom of Chimney Cleanout section.

6. Install Branch onto Tee: From inside the house, attach the Chimney Branch (a 12" or 18" Chimney section, depending on wall thickness, positioned horizontally used to pass through the wall) to the Tee by twist locking it clockwise. Important. The Chimney section used to penetrate through the wall must extend at least 6" into the room (Fig 25 & 27). Use high-temperature sealant (500°F) to seal between the Wall Thimble and the Chimney on the outer wall.

7. Install Cover Plate and Finishing Collar: After the Chimney Branch is secured in place (penetrating at least 6" into the room), slide the Cover Plate over the Branch and attach it to the framing using (4) 1-1/4" long, round head wood screws. Be sure that the Branch is centered in the opening of the Cover Plate. Twist lock the Finishing Collar on to the female end of the Chimney Branch by twisting clockwise.

8. Complete Chimney: Attach the Chimney Sections as in Step 7 in the Ceiling Supported Installation section (page 8). Secure the chimney to the wall with Wall Straps at a minimum of 8-foot intervals and maintain at least 2 inches of clearance to combustible materials. The Wall Straps are adjustable to allow from 2" - 6" clearance to combustibles. Slip the Wall Straps around the chimney, tighten the bolts, adjust the clearance, and fasten the Wall Straps to the wall with (4) #8, 1-

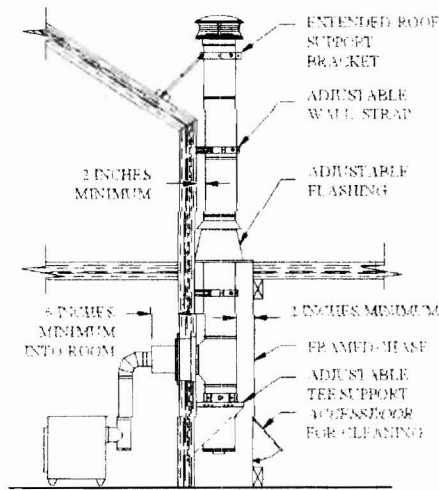
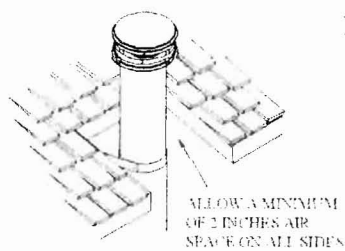
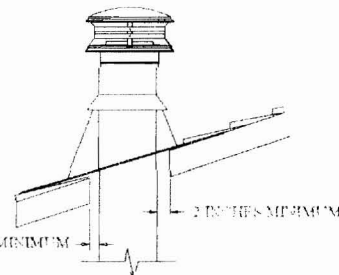


Fig 27



ALLOW A MINIMUM OF 2 INCHES AIR SPACE ON ALL SIDES

Fig 28



proper air-gap is maintained. Figure 29 displays in some detail, how these air gaps are established using the Spacers and Chase Top Flashing. Secure the Chase Top Flashing to the chase using a sufficient number of #8, 1-1/2" wood screws, being careful to insure the air gap is maintained between the flashing and the chase. Seal the screw heads with non-hardening sealant. When installing the Storm Collar, allow a 1" air space between the bottom of the Storm Collar and the Chase Top Flashing.

MASONRY FIREPLACE INSTALLATIONS

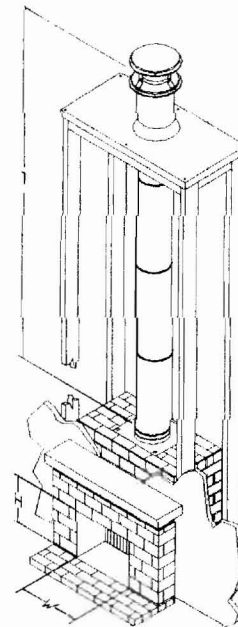
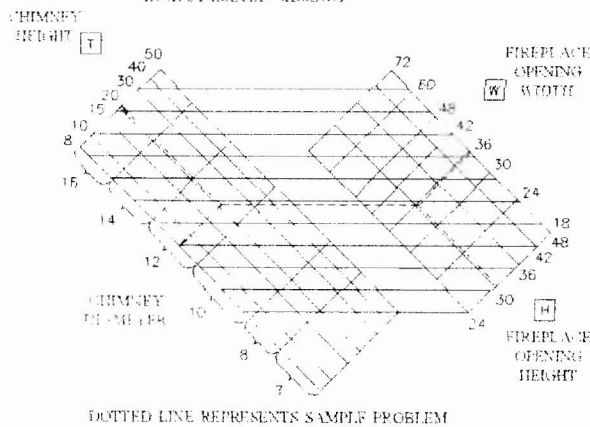
1. Determine Chimney Size: Use Table 4 to determine the correct diameter chimney for your fireplace.

2. Mount Anchor Plate: Chimneys for masonry fireplaces begin with an Anchor Plate. Make sure the surface of the masonry chimney has a level surface on which to attach the Anchor Plate. If the top of the masonry does not have a level surface, then you will need to modify the masonry accordingly. Center the Anchor Plate over the masonry flue opening, and seal the Anchor Plate with a high-temperature (1000°F) sealant. Secure Anchor Plate with (4) 1/4" x 2" masonry anchors (Fig 30). It is very important that the Anchor Plate is level. Be sure to maintain a 1" min. clearance to combustibles from the Anchor Plate.

3. Attach Chimney: Twist lock the first Chimney Section clockwise onto the Anchor Plate.

Table 4

EXAMPLE SHOWS FIREPLACE OPENING AS 36 INCHES WIDE 30 INCHES HIGH, AND THE CHIMNEY HEIGHT AS 20 FEET (THE CORRECT FLUE SIZE FOR THE SAMPLE PROBLEM IS 12 INCH DIAMETER CHIMNEY)



Adapter slips into the opening in the Ceiling Support or Finishing Collar. Align the tabs on the Slip Connector or Snap Lock Adapter with the notches in the face of the Support Box or Finishing Collar, push it in and rotate to lock it in place. Further instructions for assembling DuraBlack Stovepipe are contained in their shipping cartons. Remember, the minimum clearance to combustibles for single wall stovepipe is 18 inches.

2. Close Clearance Connector Pipe (DVL): Simpson Dura-Vent manufactures a close clearance connector pipe, also referred to as "DVL". DVL may be positioned as close as 6 inches to a combustible wall, and as close as 8 inches to a combustible ceiling, provided the appliance installation instructions permit this distance. In order to join this type of connector to the Support Box or Finishing Collar, a DVL/DuraBlack Chimney Adapter is required. The DVL/DuraBlack Chimney Adapter slips into the opening in the Support Box or Finishing Collar. Align the tabs on the DVL/DuraBlack Chimney Adapter with the slots cut into the face of the Support Box or Finishing Collar, and push it in, and rotate to lock it in place. Detailed instructions for assembling the remainder of the close clearance system are included in the DVL shipping cartons.

3. Connection to Oil-Burning Appliance: DVL is especially recommended for oil appliances because of the corrosive nature of oil-burning exhaust. When connecting to an oil burning appliance, refer to National Fire Protection Association Standard #211. Table 6-5.1.1 in NFPA 211 states that you must allow for 18" clearance to combustibles if you are using single wall vent connector. If, however, your appliance is Type-L Vent listed and you are using a listed Type-L Vent connector, then you are permitted to use the clearances as specified by the vent listing.

CHIMNEY MAINTENANCE

1. Creosote and Soot: When wood is burned slowly, it produces tar and other organic vapors, which combine with expelled moisture to produce creosote. The creosote vapors condense in the relatively cool chimney flue of a slow-burning fire. As a result, creosote residue accumulates on the flue lining. When ignited, this creosote makes an extremely hot fire.

2. Access: *Chimneys must be installed so that access is provided for inspection and cleaning.*

3. When to Clean: The chimney should be inspected at least once every month during the heating season to determine if creosote or soot has built up. Check spark arrestor screens at least every 2 to 4 weeks. If creosote or soot has accumulated,

INTRODUCTION TO INSTALLATION AND OPERATION OF HITZER MODELS

Welcome to our proud team of HITZER heater owners. Your HITZER heater has the finest in Swiss craftsmanship and quality material to assure you that safety is the number 1 priority at HITZER

We must now depend on you, our valued customer, to continue this safety in installation and operations, at the same time obtaining the maximum heat for comfortable living. Therefore, please follow these instructions very closely.

SAFETY NOTICE: IF THIS HITZER HEATER IS NOT PROPERLY INSTALLED A HOUSE FIRE MAY RESULT. FOR YOUR SAFETY FOLLOW THE INSTALLATION DIRECTIONS. CONTACT YOUR LOCAL BUILDING INSPECTOR OR FIRE OFFICIALS ABOUT RESTRICTIONS AND INSTALLATION INSPECTIONS IN YOUR AREA.

"OUR STOVES MAKE WARM FRIENDS"

.....
.....

MODEL E-Z FLO 50-93 OR MODEL EZ FLO 30-95

1. Location of Stove

A. In order to achieve maximum circulation of heat produced by the stove, it is recommended that the stove be centrally located. Remember that the heat will rise. Therefore, if the stove is put next to a stairwell, much of the heat will rise to the *second floor before ground floors are warm. One should consider the construction and layout of the home sought to be heated and, therefore, make placement so as to achieve maximum benefit from the stove.*

2. Chimney Construction and Maintenance:

A. A good chimney is essential. A chimney may be either masonry or factory built. Should a factory built chimney be utilized, make sure that the chimney is listed as approved to U.L. standards and its construction can safely handle the heat produced by the HITZER model stove. Should you intend to use an existing chimney for your stove, make sure that it is sound and has a flue lining. Should the chimney lack flue tiles or if the masonry is cracked, consult a mason about repairs. Fire in an unlined or cracked chimney can spread into the house.

B. Your chimney and chimney connectors should be inspected at least twice monthly during heating season to determine if a creosote or soot buildup has occurred. If material has accumulated, it should be removed to reduce the risk of a chimney fire. Your chimney should be cleaned at least once a year. REMEMBER, a clean chimney and a controlled fire will eliminate almost any chance of a chimney fire. Above all, REMEMBER, if a chimney fire does occur, the fire department should be called immediately and the draft control on the stove closed. DO NOT TAKE CHANCES BY

C. The most important consideration in installing your stove is adequate clearance between the stove and any combustible surface. A stove that is placed too close to a wall or to furniture, can cause a fire.

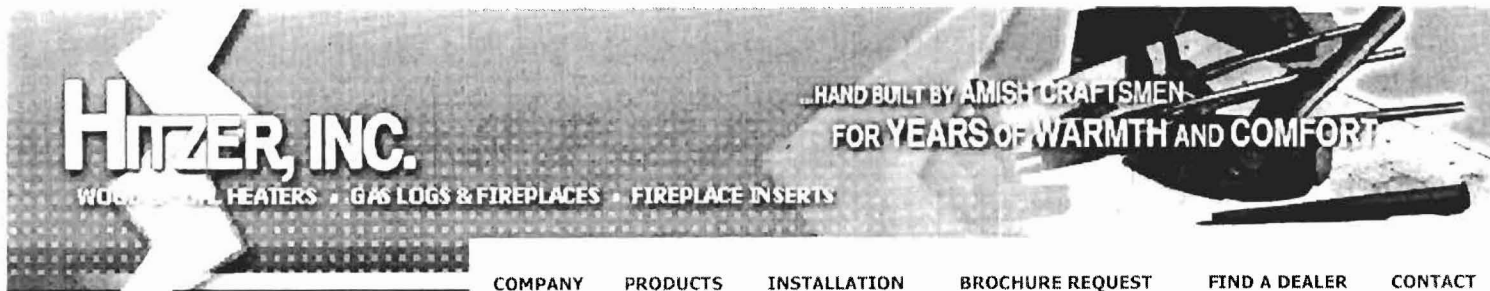
D. It is also important to remember that a protective pad beneath the stove is recommended. This pad must have an insulating factor of K-O-84. A variety of pads may be used under the stove. The most common would be a metal covered (3/8 inch *minimum*) fiberglass stove board that would be available in most hardware stores. A layer of brick or tile set in place by a mason is also acceptable. It is also recommended that the protective pad extend at least 16 inches in front of the ash door and 8 inches on both sides of the ash door.

E. Connection of stove to the chimney should be made as directly as possible and not more than two bends when needed should be used. No reduction in flue pipe below 6 inches diameter heater outlet should be used. The pipe connecting the stove to the chimney should be at least 24 gauge. Thicker gauges may be available and will resist corrosion longer and need fewer replacements. Slope the flue pipe back toward the heater, 1/4 inch per foot of horizontal run, so that any condensation forming in the pipe will be carried back into the heater. The connector pipe should be installed so that the upper pipe section fits inside the lower section. This way any creosote or soot building up inside the pipe will stay inside the pipe as it flows down the inside surface. Horizontal pipe runs should have the pipe seams turned up. Particular attention should be paid to the point where the flue passes through a wall or ceiling. This penetration should always be made with insulated pipe and the proper accessories. Chimney connectors must not pass through the veiling, concealed spaces, or enter the chimney in the attic, unless proper clearance or insulated pipe used with manufactured clearance. REMEMBER, that all pipe sections should be connected with at least three sheet metal screws per joint. A fire in the stack may cause vibrations and poorly fastened piping may fall. Assure that the chimney connection pipe extends at least two inches into the chimney, but does not extend so far into the chimney flue that it blocks air flow. Where the pipe connects to a masonry chimney, it must be cemented to the chimney, or, a thimble must be connected to the chimney and the pipe should be tightly inserted into the thimble without cementing. A barometric damper should be installed between the heater and chimney. The barometric damper prevents over heating of your heater, as well as a more efficient stove operation.

OPERATING YOUR E-Z FLO

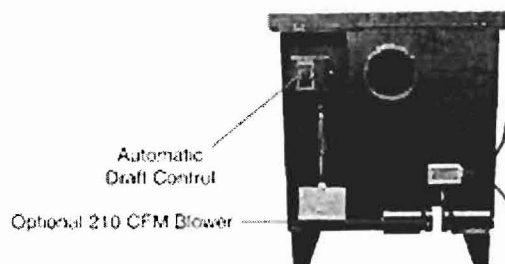
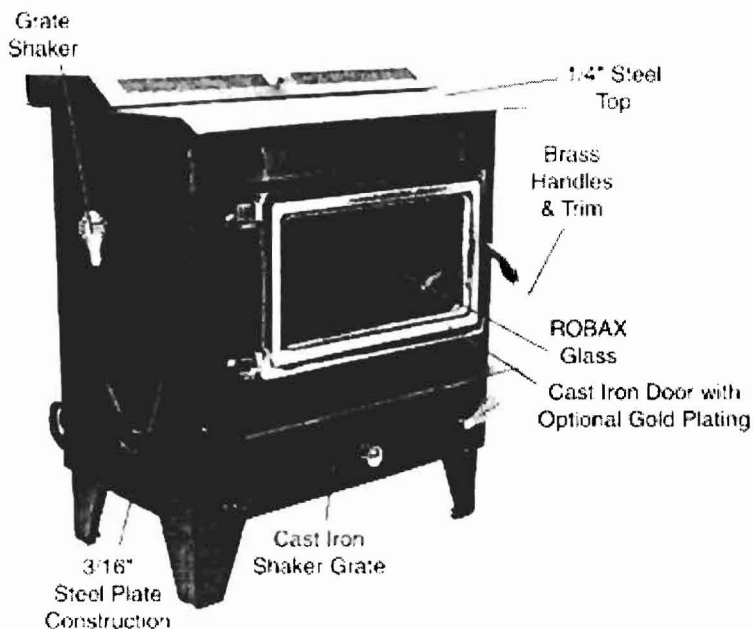
After proper installation you now are ready to start the fire and enjoy the comfort of your heater. To start your E-Z Flo you open up the automatic damper on the rear of your stove to #10. You need to open the slide damper in the ash door all the way. Place kindling on grates, add a small amount of anthracite nut or pea coal on top of kindling. Ignite the kindling. When the coal begins to burn add a small amount of anthracite nut or pea coal until you have a large area of coal burning. Now begin to fill your hopper slowly. (To fast may choke out the fire). When the coal is burning properly and receiving and desired warm heat, adjust your automatic thermostat on the rear for a desired temperature. Now regulate your slide draft on the ash door to keep the stove burning at the temperature you desire.

Never use gasoline, kerosene, charcoal lighter or any type flammable fluid to start



Model 50-93 Heater

Home → Products → Heaters → Model 50-93



WARMTH

Anthracite coal burns hot, but slow, radiating smooth, even warmth to every corner... comfort that you can control. And it's long lasting heat; up to 50 hours from a 50 lb. bag with the Model 50-93, and up to 30 hours from a 30 lb. bag with the Model 30-95. Up to 2500 Sq Ft Heating Capacity. 210 CRM Blower is Optional.

BEAUTY

The Swiss Amish craftsmanship of E-Z Flo stoves adds charm to any decor, and the warm glow in the full-view window is a peaceful treat for the eyes and mind. Choose from Forest green, metallic blue, honey glo brown, to complement your room's color scheme...then sit back, relax and enjoy. A Hitzer stove makes a house a home

MAINTENANCE-FREE

There are no moving parts in the feed system - It uses anthracite nut or pea coal, which is gravity-fed directly into the fire

SAVINGS

Coal is one of the cheapest, most abundant fuels on the planet...and the clean-burning anthracite coal for which the Hitzer E-Z Flo is designed to help save the planet's environment, too. Rich in clean-carbon--but low in pollution-causing sulfur, dust, and ash--anthracite "nut" or "pea" size coal is readily available in clean, easy-to-store 40 lb. bags that produce more heat per dollar than any other fuel you can use.

SPECIFICATIONS:

Model 50-93:	Width	Depth	Height
Unit	30"	26"	34 1/2 "
Firebox	24 1/4" "	14 1/2" "	19 1/2"
Door Opening	19"	-	10 1/2 "
Glass	17 7/16 "	-	9"
Hopper Opening - 10" x 6"			
Flue Size - 6" Diameter			

MINIMUM CLEARANCES TO COMBUSTIBLE MATERIAL

Unit to Sidewall: 20" Flue to Sidewall: 32"

Unit to Backwall: 28" Flue to Backwall: 18"

FLOOR PROTECTION

Floor protector equal to 3/8" noncombustible millboard or equivalent, extending 18" in front, 8" each side and 12" rear.

[HOME](#)

[COMPANY](#)

[PRODUCTS](#)

[INSTALLATION & WARRANTY](#)

[BROCHURE REQUEST](#)

[FIND A DEALER](#)

[CONTACT](#)

Phone: 260.589.8536 • Fax: 260.589.3538 • hitzer@adamswells.com • © Copyright 2006 Hitzer, Inc.

RD POWERED &
DEVELOPED BY

City of Portland, Maine - Building or Use Permit

389 Congress Street, 04101 Tel: (207) 874-8703, Fax: (207) 874-8716

Permit No: 08-1435	Date Applied For: 11/10/2008	CBL: 297 C022001
------------------------------	--	----------------------------

Location of Construction: 132 DOROTHY ST	Owner Name: CLUKEY HARLEIGH P & LORR	Owner Address: 132 DOROTHY ST	Phone:
Business Name:	Contractor Name: Butterfield Stonework & Landscapi	Contractor Address: P.O. Box 487 Windham	Phone (207) 232-7793
Lessee/Buyer's Name	Phone:	Permit Type: HVAC	

Proposed Use: Single Family Home = install a Hitzer Heater Model E-Z flo 50-93	Proposed Project Description: install a Hitzer Heater Model E-Z flo 50-93
--	---

Dept: Zoning **Status:** Approved **Reviewer:** Tammy Munson **Approval Date:** 11/14/2008
Note: **Ok to Issue:**

Dept: Building **Status:** Approved with Conditions **Reviewer:** Tammy Munson **Approval Date:** 11/14/2008
Note: **Ok to Issue:**

- 1) The heating appliance/stove shall be installed, maintained and operated in accordance with the terms of the listing.
- 2) Separate permits are required for any electrical, plumbing, HVAC or exhaust systems. Separate plans may need to be submitted for approval as a part of this process.