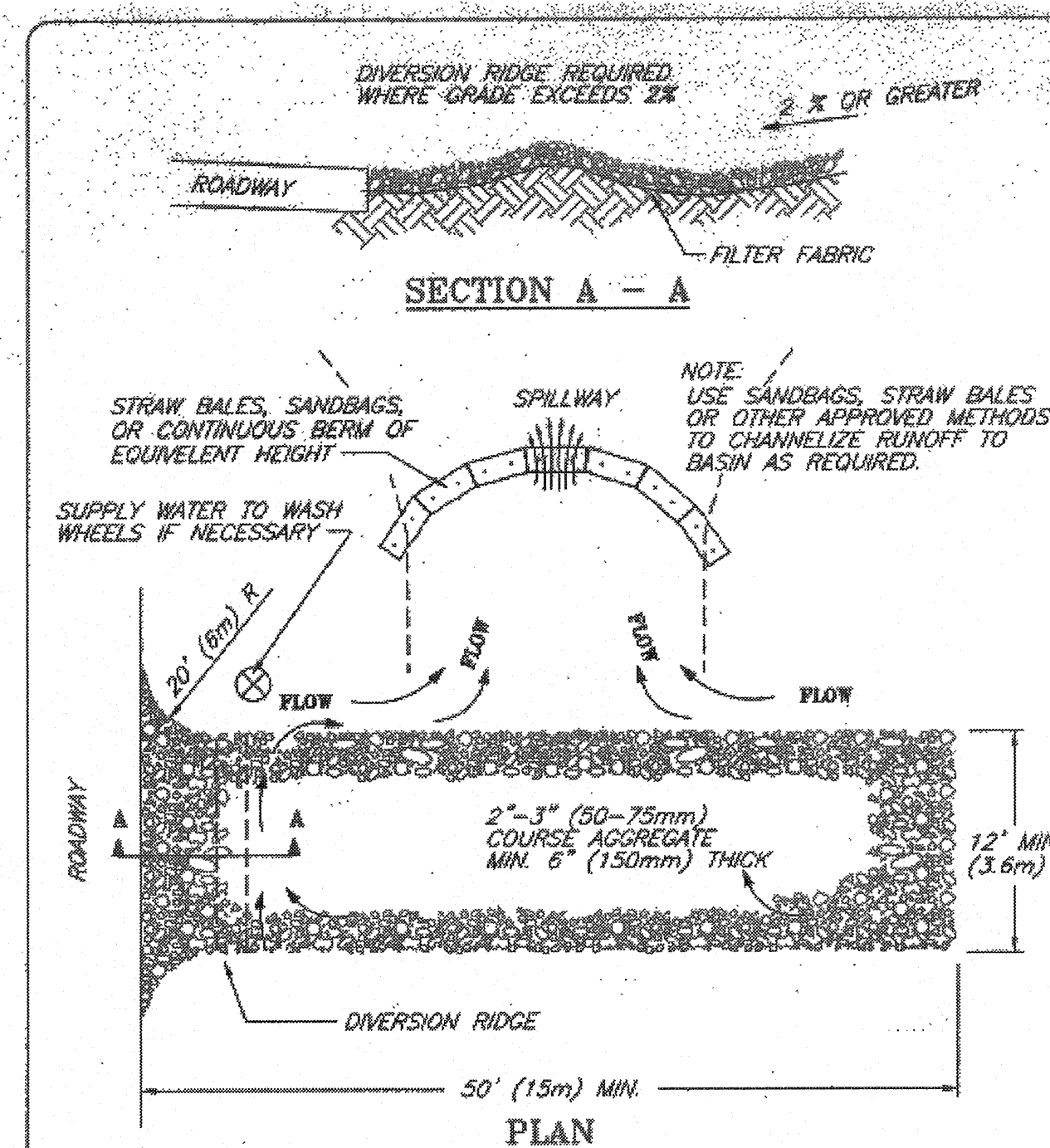


NOTE:
ALL MATERIALS SHALL CONFORM TO MDOT SPECIFICATIONS, LATEST REVISION
COMPACTION OF ALL MATERIALS TO BE IN ACCORDANCE WITH MDOT SPECIFICATIONS.

(A) TYPICAL PAVEMENT SECTION
N.T.S.

TRENCH SECTION BACKFILL SCHEDULE				
TYPE OF PIPE	GRANULAR BASE MATERIAL	SPECIAL BACKFILL	SPECIAL BACKFILL COVER "A" (IN)	SELECT BACKFILL
CONCRETE	GRANULAR AASHTO M145-49 A-3 OR BETTER	GRANULAR AASHTO M145-49 A-3 OR BETTER	12"	GRANULAR AASHTO M145-49 A-3 OR BETTER
PVC	3/4" CRUSHED STONE	GRANULAR AASHTO M145-49 A-3 OR BETTER	6"	GRANULAR AASHTO M145-49 A-3 OR BETTER
DUCTILE IRON	GRANULAR AASHTO M145-49 A-3 OR BETTER	GRANULAR AASHTO M145-49 A-3 OR BETTER	6"	GRANULAR AASHTO M145-49 A-3 OR BETTER
UNDER-DRAINS	3/4" CRUSHED STONE	3/4" CRUSHED STONE	6"	GRANULAR AASHTO M145-49 A-3 OR BETTER

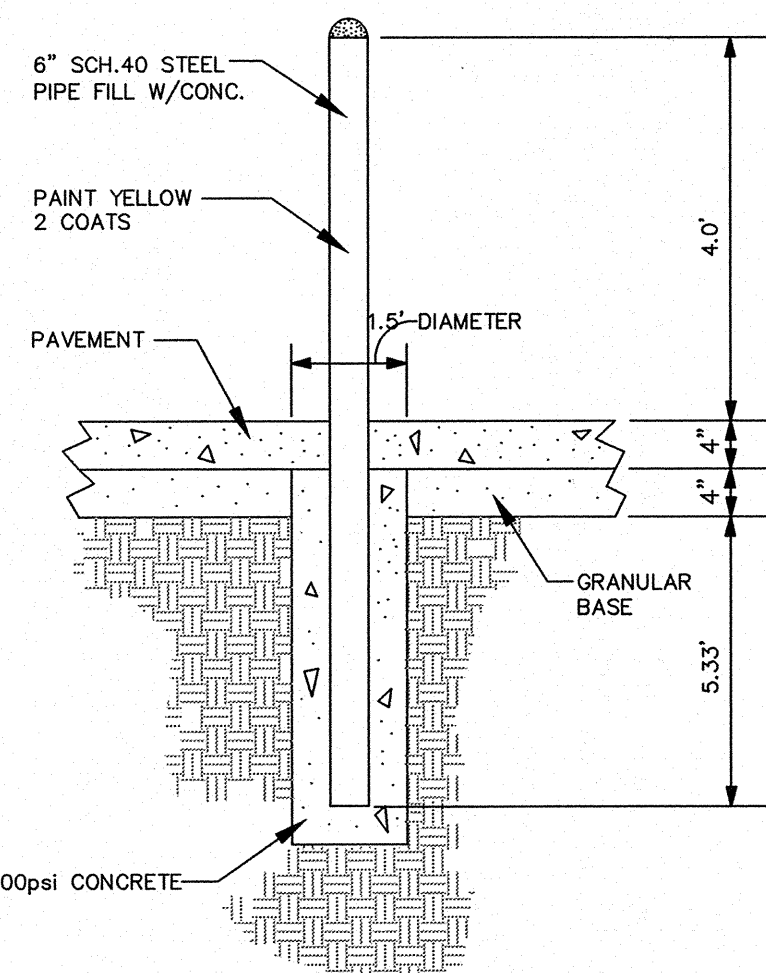
(D) TYPICAL UTILITY PIPE TRENCH SECTION DETAIL
N.T.S.



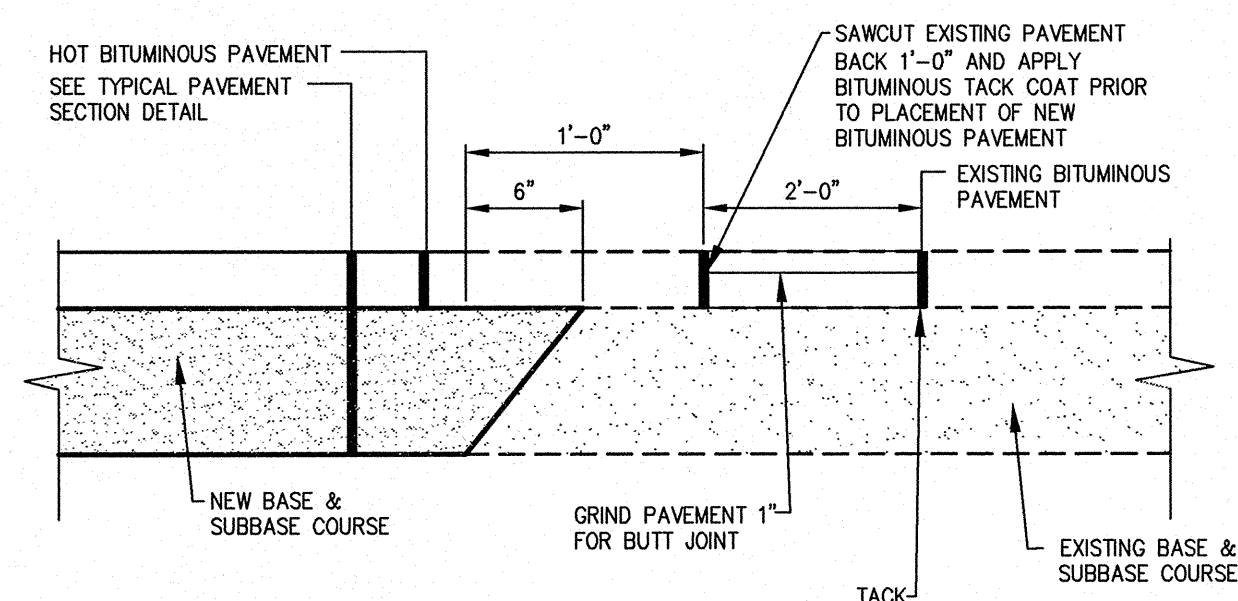
NOTES:
1. THE ENTRANCE SHALL BE MAINTAINED IN A CONDITION THAT WILL PREVENT TRACKING OR FLOWING OF SEDIMENT ONTO PUBLIC RIGHT-OF-WAYS. THIS MAY REQUIRE TOP DRESSING, REPAIR AND/OR CLEANOUT OF ANY MEASURES USED TO TRAP SEDIMENT.
2. WHEN NECESSARY, WHEELS SHALL BE CLEANED PRIOR TO ENTRANCE ONTO PUBLIC RIGHT-OF-WAY.
3. WHEN WASHING IS REQUIRED, IT SHALL BE DONE ON AN AREA STABILIZED WITH CRUSHED STONE THAT DRAINS INTO AN APPROVED SEDIMENT TRAP OR SEDIMENT BASIN.

TEMPORARY GRAVEL CONSTRUCTION ENTRANCE/EXIT

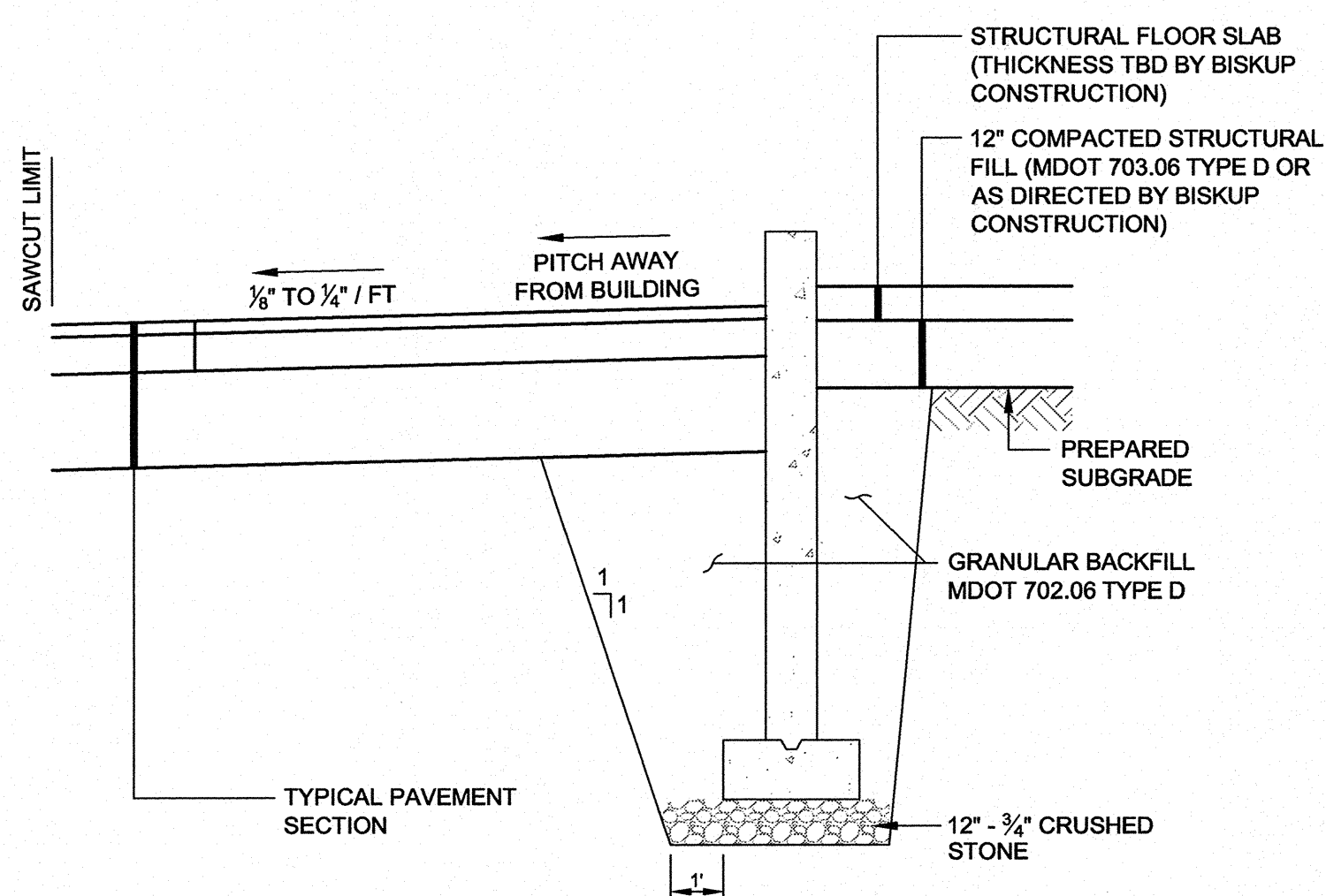
(G) GRAVEL CONSTRUCTION ENTRANCE/EXIT
N.T.S.



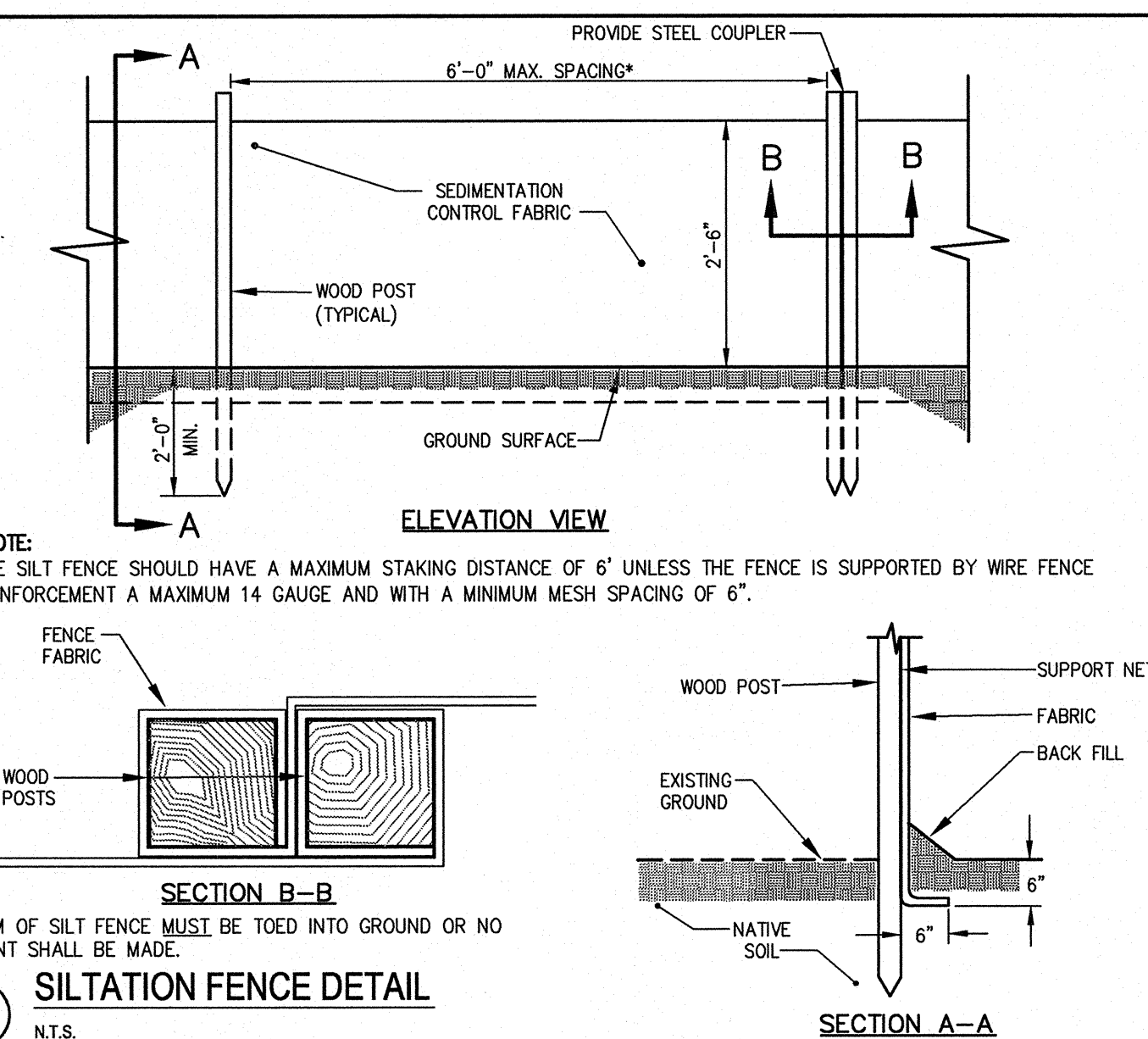
(B) BOLLARD DETAIL
N.T.S.



(E) PAVEMENT SAWCUT DETAIL
N.T.S.



(C) TYPICAL FOUNDATION SECTION
N.T.S.

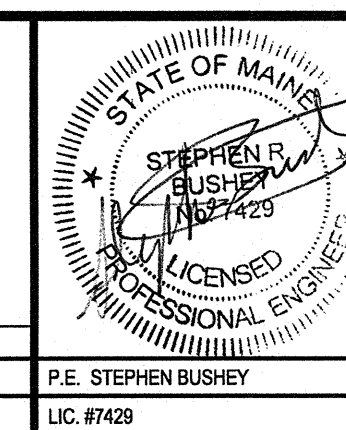


*NOTE:
THE SILT FENCE SHOULD HAVE A MAXIMUM STAKING DISTANCE OF 6' UNLESS THE FENCE IS SUPPORTED BY WIRE FENCE REINFORCEMENT A MAXIMUM 14 GAUGE AND WITH A MINIMUM MESH SPACING OF 6".

(F) SILTATION FENCE DETAIL
N.T.S.

PRELIMINARY - NOT FOR CONSTRUCTION

REV	DATE	DESCRIPTION
1	08.30.11	SUBMITTED TO CITY OF PORTLAND



PROJECT	280 WARREN AVE PORTLAND, MAINE
SHEET TITLE	DETAILS
CLIENT	MCFARLAND SPRING CORP.

DESIGNED: SRB	DATE: 6.27.11
CHECKED: SRB	SCALE: AS NOTED
FILE NAME: 3033-SP	JOB NO. 3033
SHEET	3 OF 3