

**City of Portland, Maine - Building or Use Permit Application**  
 389 Congress Street, 04101 Tel: (207) 874-8703, Fax: (207) 874-8716

<b>Permit No:</b> 04-1211	<b>Issue Date:</b>	<b>CBL:</b> 296 D002001
------------------------------	--------------------	----------------------------

<b>Location of Construction:</b> 314 Warren Ave	<b>Owner Name:</b> Baker Dwight P	<b>Owner Address:</b> 336 Warren Ave	<b>Phone:</b>
<b>Business Name:</b>	<b>Contractor Name:</b> Steve Mackensie	<b>Contractor Address:</b> 74 Gertrude Portland	<b>Phone</b> 2077977706
<b>Lessee/Buyer's Name</b>	<b>Phone:</b>	<b>Permit Type:</b> HVAC	<b>Zone:</b>

<b>Past Use:</b> Commercial	<b>Proposed Use:</b> Commercial- Install Airco metal Chimney	<b>Permit Fee:</b> \$66.00	<b>Cost of Work:</b> \$4,500.00	<b>CEO District:</b> 5
<b>Proposed Project Description:</b> Install Airco metal Chimney		<b>FIRE DEPT:</b> <input type="checkbox"/> Approved <input type="checkbox"/> Denied	<b>INSPECTION:</b> Use Group: Type	
		Signature:	Signature:	
<b>PEDESTRIAN ACTIVITIES DISTRICT (P.A.D.)</b>				
Action: <input type="checkbox"/> Approved <input type="checkbox"/> Approved w/Condition <input type="checkbox"/> Denied				
Signature:		Date:		

<b>Permit Taken By:</b> Idobson	<b>Date Applied For:</b> 08/18/2004	<b>Zoning Approval</b>		
------------------------------------	--	------------------------	--	--

1. This permit application does not preclude the Applicant(s) from meeting applicable State and Federal Rules.  2. Building permits do not include plumbing, septic or electrical work.  3. Building permits are void if work is not started within six (6) months of the date of issuance. False information may invalidate a building permit and stop all work..	<b>Special Zone or Reviews</b> <input type="checkbox"/> Shoreland  <input type="checkbox"/> Wetland  <input type="checkbox"/> Flood Zon  <input type="checkbox"/> Subdivision  <input type="checkbox"/> Site Plan  Maj <input type="checkbox"/> Minor <input type="checkbox"/> MM <input type="checkbox"/>  Date:	<b>Zoning Appeal</b> <input type="checkbox"/> Variance  <input type="checkbox"/> Miscellaneous  <input type="checkbox"/> Conditional Us  <input type="checkbox"/> Interpretatio  <input type="checkbox"/> Approved  <input type="checkbox"/> Denied  Date:	<b>Historic Preservation</b> <input type="checkbox"/> Not in District or Landma  <input type="checkbox"/> Does Not Require Revie  <input type="checkbox"/> Requires Review  <input type="checkbox"/> Approved  <input type="checkbox"/> Approved w/Condition  <input type="checkbox"/> Denied  Date:
	Date:	Date:	Date:

**CERTIFICATION**

I hereby certify that I am the owner of record of the named property, or that the proposed work is authorized by the owner of record and that I have been authorized by the owner to make this application as his authorized agent and I agree to conform to all applicable laws of this jurisdiction. In addition, if a permit for work described in the application is issued, I certify that the code official's authorized representative shall have the authority to enter all areas covered by such permit at any reasonable hour to enforce the provision of the code(s) applicable to such permit.

SIGNATURE OF APPLICAN	ADDRESS	DATE	PHO
RESPONSIBLE PERSON IN CHARGE OF WORK, TIT		DATE	PHO

<b>Location of Construction:</b> 314 Warren Ave	<b>Owner Name:</b> Baker Dwight P	<b>Owner Address:</b> 336 Warren Ave	<b>Phone:</b>
<b>Business Name:</b>	<b>Contractor Name:</b> Steve Mackensie	<b>Contractor Address:</b> 74 Gertrude Portland	<b>Phone</b> 2077977706
<b>Lessee/Buyer's Name</b>	<b>Phone:</b>	<b>Permit Type:</b> HVAC	<b>Zone:</b>

<b>Dept:</b> Zoning	<b>Status:</b> Approved	<b>Reviewer:</b> Marge Schmuckal	<b>Approval Date:</b> 08/19/2004
<b>Note:</b>			<b>Ok to Issue:</b> <input checked="" type="checkbox"/>
<b>Dept:</b> Building	<b>Status:</b> Approved with Conditions	<b>Reviewer:</b> Mike Nugent	<b>Approval Date:</b> 09/01/2004
<b>Note:</b>			<b>Ok to Issue:</b> <input checked="" type="checkbox"/>
<b>Dept:</b> Fire	<b>Status:</b> Approved with Conditions	<b>Reviewer:</b> Lt. MacDougal	<b>Approval Date:</b> 08/30/2004
<b>Note:</b>			<b>Ok to Issue:</b> <input checked="" type="checkbox"/>
1) the chimney shall be installed in accordance with the manufactors recommendations			

### CERTIFICATION

I hereby certify that I am the owner of record of the named property, or that the proposed work is authorized by the owner of record and that I have been authorized by the owner to make this application as his authorized agent and I agree to conform to all applicable laws of this jurisdiction. In addition, if a permit for work described in the application is issued, I certify that the code official's authorized representative shall have the authority to enter all areas covered by such permit at any reasonable hour to enforce the provision of the code(s) applicable to such permit.

\_\_\_\_\_  
SIGNATURE OF APPLICAN

\_\_\_\_\_  
ADDRESS

\_\_\_\_\_  
DATE

\_\_\_\_\_  
PHO

\_\_\_\_\_  
RESPONSIBLE PERSON IN CHARGE OF WORK, TIT

\_\_\_\_\_  
DATE

\_\_\_\_\_  
PHO



FILL IN AND SIGN WITH INK

# APPLICATION FOR PERMIT HEATING OR POWER EQUIPMENT

296 D002  
CITY OF PORTLAND

To the INSPECTOR OF BUILDINGS, PORTLAND, ME.

The undersigned hereby applies for a permit to install the following heating, cooking or power equipment in accordance with the Laws of Maine, the Building Code of the City of Portland, and the following specifications:

Location / CBL 314 WARREN AVE. REAR Use of Building COM. Date 8/9/04  
Name and address of owner of appliance SKIP BAKER

Installer's name and address Steve MacKenzie Heating  
74 Gertrude Ave Portland Telephone \_\_\_\_\_

### Location of appliance:

- Basement
- Attic
- Floor
- Roof

### Type of Fuel:

- Gas
- Oil
- Solid

### Appliance Name:

AIRCO (Chimney)

U.L. Approved  Yes  No

Will appliance be installed in accordance with the manufacture's installation instructions?  Yes  No

IF NO Explain: \_\_\_\_\_

### The Type of License of Installer:

- Master Plumber # \_\_\_\_\_
- Solid Fuel # \_\_\_\_\_
- Oil # 1340
- Gas # \_\_\_\_\_
- Other \_\_\_\_\_

### Type of Chimney:

- Masonry Lined  
Factory built \_\_\_\_\_
- Metal  
Factory Built U.L. Listing # \_\_\_\_\_
- Direct Vent  
Type \_\_\_\_\_ UL# \_\_\_\_\_

### Type of Fuel Tank

- Oil
- Gas

Size of Tank 330

Number of Tanks 1

Distance from Tank to Center of Flame 20' feet.

Cost of Work: \$ 4500.-

Permit Fee: \$ 660.00



### Approved

Fire: [Signature]  
Ele.: [Signature]  
Bldg.: [Signature]

### Approved with Conditions

- See attached letter or requirement

Inspector's Signature

Date Approved

Signature of Installer [Signature]

White - Inspection    Yellow - File    Pink - Applicant's    Gold - Assessor's Copy

CHK#511



**LIMITED LIFETIME WARRANTY:** Selkirk LLC ("Selkirk", "we", "us", "our") warrants to the original purchaser/consumer that Metalbestos Model; UT, GT & ST Type HT Chimney, DT Direct Vent, DS, VP, Type B Gas Vent, AFCL, SFCL, DWC and SWC products are to be free from defects in material and workmanship for the life of the product when properly connected to an applicable appliance listed by an accredited safety certification agency and installed in accordance with our installation instructions and specifications.

For products installed after January 1, 2000, for a period of Ten (10) years from original installation, we will provide replacement product to the original consumer for the product proven defective with a similar or like quantity of available Selkirk LLC product, free of charge.

From the Eleventh (11) through Fifteenth (15) years we will provide replacement product to the original consumer at a cost of 75% off of the published Retail Price in effect on the date the claim is received.

At expiration of the Fifteen (15) year term, we will provide replacement product to the original consumer at a cost of 50% off of the published Retail Price in effect on the date the claim is received.

**WARNING:** FAILURE TO INSTALL SELKIRK PRODUCTS ACCORDING TO THE MANUFACTURER'S INSTRUCTIONS WILL VOID ALL APPLICABLE WARRANTIES AND MAY RESULT IN FIRE, CARBON MONOXIDE POISONING OR DEATH. SEE OUR SELKIRK LLC PRODUCTS INSTALLATION INSTRUCTIONS FOR COMPLETE INSTRUCTIONS. Call 800-992-8368 for a free copy. WE DO NOT GUARANTEE OR IN ANY WAY WARRANT THE INSTALLATION OF SELKIRK PRODUCTS DUE TO THE WIDE VARIANCE IN INSTALLATION PRACTICES AND OTHER CONDITIONS BEYOND OUR CONTROL.

**THIS LIMITED WARRANTY DOES NOT COVER:**

- (a) costs (labor or otherwise) associated with either removing a previously installed product, installing a replacement product, transportation or return of a product, or transportation of replacement product;
- (b) damage to the finish of products caused by the use of improper solvents/chemicals or improper cleaning methods;
- (c) damage resulting from failure to reasonably clean, care for or maintain products in accordance with our installation instructions/recommendations;
- (d) damage (to products, appliance or structure) based on or resulting from improper installation or repair, misuse or abuse (including, but not limited to, excessive improper operating condition), or alteration or adjustments other than in conformity with our installation instructions and specifications whether performed by a contractor, service company, technician, or yourself;
- (e) any products that have been moved from their original installation site;
- (f) damage resulting when driftwood/garbage, or any other prohibitive material has been burned in the appliance served by the chimney;
- (g) damage to your chimney that results from accidents such as fire, flood, high winds, "acts of God", or any other contingency beyond our control.

**CLAIM PROCEDURE:** If you believe that a product fails to meet the above limited warranty, notify us in writing at the following location:

SELKIRK LLC Attn: WARRANTY CLAIMS DEPARTMENT  
14801 Quorum Drive, Dallas, TX 75254  
Fax: (877) 393-4145 Ph: (800) 992-8368

Notification should include a description of the product, model and part number and how the product fails to meet the above warranty. Upon receipt of a written claim under this limited warranty and evidence of the date of purchase or installation, at our option and in our sole discretion, we will either repair or replace the product with similar or like quantity of available Selkirk LLC product per this warranty. Selkirk LLC reserves the right to inspect or investigate any warranty claims prior to determining whether to repair or replace a product. If, as determined by Selkirk LLC repair or replacement of the product is not commercially practicable or cannot be completed in a timely manner, we may refund the prorated purchase price paid for the product upon verification by providing a copy of your invoice, receipt of bill of sale.

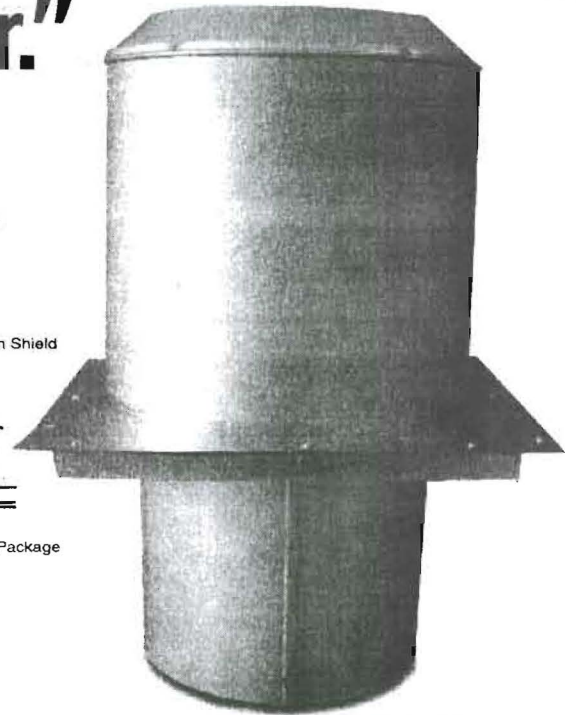
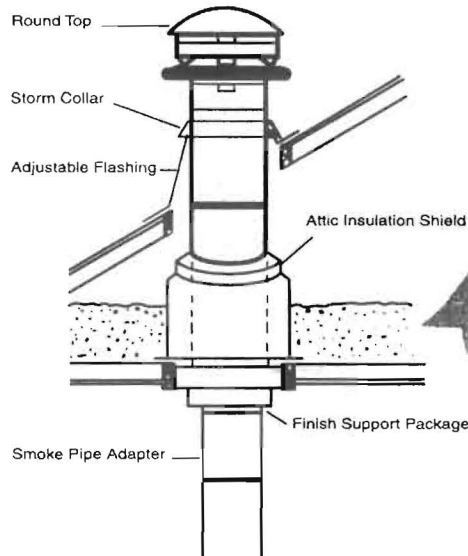
ANY IMPLIED WARRANTY OF MERCHANTABILITY OR FITNESS FOR A PARTICULAR PURPOSE IS LIMITED IN DURATION TO THE WARRANTY PERIOD SPECIFIED ABOVE. WE DISCLAIM ANY LIABILITY FOR CONSEQUENTIAL OR INCIDENTAL DAMAGES AND ANY LOSS OR EXPENSES(S), NOT SPECIFIED ABOVE. SOME STATES MAY NOT ALLOW THE EXCLUSION OR LIMITATION OF INCIDENTAL OR CONSEQUENTIAL DAMAGES, OR HOW LONG AN IMPLIED WARRANTY LASTS, SO THE ABOVE EXCLUSIONS OR LIMITATIONS MAY NOT APPLY TO YOU. THIS WARRANTY GIVES YOU SPECIFIC LEGAL RIGHTS AND YOU MAY ALSO HAVE LEGAL RIGHTS WHICH VARY FROM STATE TO STATE.

Please register your warranty on our web site at [www.selkirkinc.com](http://www.selkirkinc.com)

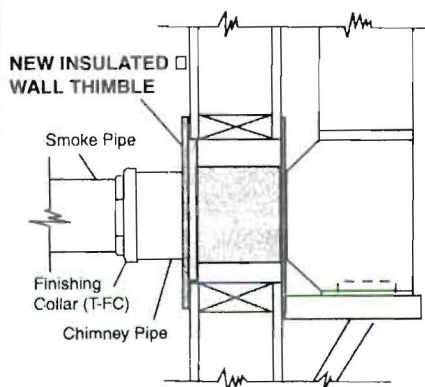
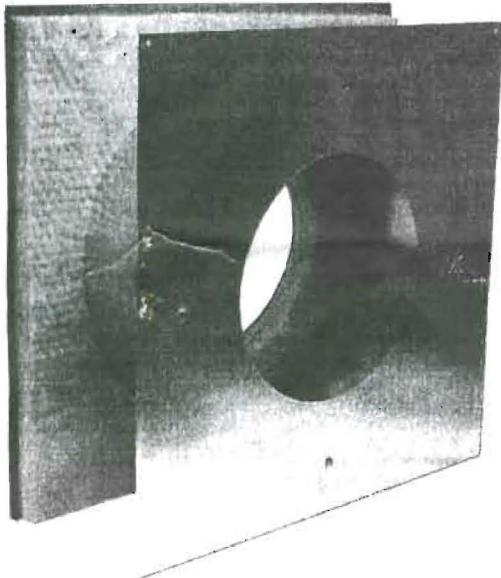
# A T T E N T I O N

## "We've made going thru the ceiling even safer."

Use our **NEW** redesigned Attic Insulation Shield to make your installation quick, easy, and the safest on the market. No assembly needed with this one piece design which is completely enclosed to eliminate material from falling into the shielded area. Order today by calling 800.992.8368 or log on to [www.selkirkinc.com](http://www.selkirkinc.com).



## "We've made going thru the wall even easier."



Insulated Wall Thimble keeps out the draft so you don't have to.

Use our **NEW** Insulated Wall Thimble to make your installation quick and easy. The IWT eliminates the need to box in and insulate the wall opening, and is telescopic, so it adjusts to different wall thicknesses. An Alternative to using our TCS - Fire Stop/Trim Collar and WS - Fire Stop/Wall Spacer. Order today by calling 800.992.8368 or log on to [www.selkirkinc.com](http://www.selkirkinc.com).



**SELKIRK.**

UNITED STATES • CANADA • MEXICO

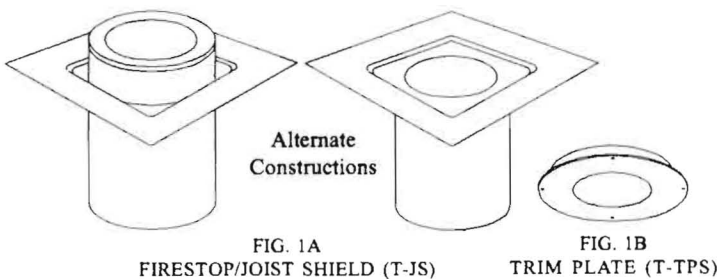
# Metalbestos Chimney Systems (USA Only - See separate instructions for Canada)

## MCS INSTALLATION INSTRUCTIONS SUPPLEMENT - MODEL UT (ULTRA TEMP), GT (GALVA TEMP) AND ST (SURE TEMP)

This Model UT, GT and ST Installation Instruction Supplement is being provided with every section of Model UT, GT and ST chimney and provides *very important information* concerning the installation of the Metalbestos Chimney Systems Models UT, GT and ST.

Models UT, GT and ST are completely compatible and certified for use with accessory component parts from the Metalbestos Model SSII chimney system with the exception that:

1. A Trim Plate (T-TPS) and / or a combination Firestop / Joist Shield (T-JS) **MUST BE USED** where supplemental firestopping is required in floor / ceiling penetrations of Model UT, GT and ST chimney installations. Model SSII firestops ( T-WS or T-TCS) may not be used with Models UT, GT and ST. (Note: No supplemental firestops are required in floor / ceiling penetrations incorporating a Finish Ceiling Support, since the support construction provides this function.)

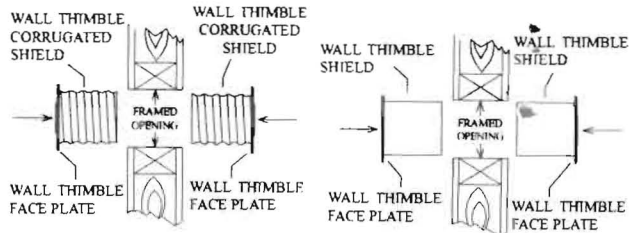


NOTE: Trim Plate (TPS) is to be used only in conjunction with the Firestop / Joist Shield (JS).

2. In ALL combustible wall penetrations, a Metalbestos chimney system Wall Thimble (T-WT) **MUST BE USED**. The wall thimble (T-WT) incorporates two-part faceplate / shield sub-assemblies which engage / overlap to provide full length shielding for the opening in the wall, as shown in Fig. 2 or 2A.

Complete instructions for the installation of the Firestop / Joist Shield, Trim Plate and Wall Thimble are provided on Sheet S7 included in the shipping carton in which these components are supplied.

All other accessory components for the Model UT, GT and ST chimneys are identical to Model SSII accessory component parts and are to be installed in accordance with the SSII Installation and Maintenance Instructions.



With the exception of the parts noted above, Model UT, GT and ST insulated chimney lengths (straight lengths, elbows and tees) may be installed with accessory parts either labeled as SSII parts, SSII / SG PLUS or MCS (Metalbestos Chimney System) parts.

### IMPORTANT:

1. Model UT and ST insulated chimney system parts may be used with Model SSII insulated chimney lengths. Such mixed systems are required to be installed as if they were all Model UT or ST, and include wall thimbles (WT) (if passing through the wall) and / or Firestop Joist Shields (JS) when passing through floor / ceilings.
2. DO NOT MIX Model SSII insulated chimney sections with Model GT insulated chimney sections. Model UT and GT chimney sections may be intermixed within a system if desired.
3. Do not use Model GT for coal burning applications.
4. DO NOT USE SSII firestops (T-WS or T-TCS) with the Model UT, GT and ST. System.

To prolong the life and appearance of the galvanized steel outer casing of Model GT located outdoors, use proper painting procedure at time of installation. Remove oil and dirt with a solvent. Paint first with a good quality zinc primer or other primer recommended for use on galvanized steel. Next apply an appropriate finish coat. Ordinary house paints applied directly to galvanized steel may not adhere well and do not prevent underfilm corrosion which leads to paint loosening and peeling.

If you have *any questions* about the proper parts to use or the method of installing any parts, get help by calling the phone number listed on the bottom of this instruction supplement.

**! WARNING**

**Failure to follow the installation instructions could cause FIRE, CARBON MONOXIDE POISONING, OR DEATH. If you are unsure of installation requirements, call the Phone Number listed on the instructions or sizing handbook.**

# Metalbestos Chimney Systems (USA Only - See separate instructions for Canada)

## SHEET P

## Chimney & Accessories Guide to — General Installation Instructions & Owner's Maintenance Guide

Metalbestos Chimney Systems Must Be Installed with Minimum 2 Inch Air Space Clearance to Combustible Materials, Wires and Building Insulation.

### IMPORTANT:

The parts, Kits, Assemblies and Packages shown here are essential for a correct and safe installation. They must be installed strictly in accordance with their applicable instructions. With some of these groups, two or more different Instruction Sheets may be necessary. The General Installation Instructions and Owner's Maintenance Guide is designated "Sheet GS" and is packaged with the Support Assembly For your protection. **read and study these carefully before beginning an installation.** If you are installing these products and do not find the sheets referenced here in the cartons, **STOP(!)** and obtain them from your dealer, distributor or Selkirk before proceeding.

The Installation Instruction reference sheets are indicated below the part illustration and must be followed to insure safe installation.

**CAUTION: METALBESTOS CHIMNEY SYSTEMS MUST BE PROPERLY SUPPORTED. DO NOT USE PIPE BY ITSELF OR ATTEMPT TO FABRICATE YOUR OWN SUPPORT OR ACCESSORIES.**

SEE INSTALLATION INSTRUCTIONS TO DETERMINE NECESSARY ACCESSORIES.

Part Numbers must be prefixed with the correct size .8T-WSK for example to get an 8" Wall Support Kit.

SEE SELECTOR CHARTS ON REVERSE SIDE

### INSULATED PIPE AND ACCESSORIES

Insulated Pipe Length  
(3", 6", 9", 12", 18", 24", 36")



See Sheet GS, MCS

Roof Support Package (RSP)



See Sheets S-4, MCS

Roof Brace Kit (RBK)  
(Pipe Not Included)



See Sheets GS, S-3

Wall Support Kit (WSK)



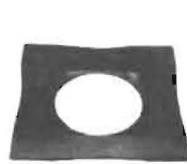
See Sheets GS, S-5

Interior Resupport (IR)



See Sheet S-5

Fire Stop / Wall Spacer (WS)  
Use With SSII Only



See Sheets GS, S-2

Wall Thimble (WT)  
Required on all except Model SSII



See Sheets MCS, S-7

Dripless Smoke Pipe Adapter W/Coupler (DSAC)



See Sheets GS, S-1, S-4

Dripless Smoke Pipe Adapter (DSA)



See Sheets GS, S-1, S-4

Insulated Tee & Plug (IT)



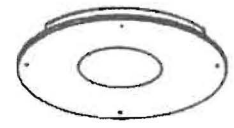
See Sheets GS, S-5

Wall Band (WB)



See Sheet S-5

Trim Plate (TPS)  
Required on all except Model SSII  
(Use with part JS only)



See Sheets MCS, S-7

Attic Insulation Shield (AIS)



See Sheets GS, S-2

Round Top (CT)



See Sheet S-3

Storm Collar (SC) Adjustable Flashing (AF)



See Sheet S-3

Insulated 15° Elbow (EL)



See Sheets GS, S-5, MCS

Insulated 30° Elbow (EL)



See Sheets GS, S-5, MCS

Finish Support Package (FSP)



See Sheet S-1

Finish Support Package-Round (FSPR)



See Sheet S-1

Anchor Plate (AP)



See Sheet S-4

Finish Collar (FC)



See Sheet S-4

Fire Stop/Trim Collar (TCS)  
For Model SSII use only



See Sheets GS, S-5

Fire Stop/Moist Shield (JS)  
Required on all except Model SSII



See Sheets MCS, S-7

### WARNING

Failure to follow the Installation instructions could cause FIRE, CARBON MONOXIDE POISONING, OR DEATH. If you are unsure of Installation requirements, call the Phone Number listed on the Instructions or sizing handbook.



### CHIMNEY PIPE LENGTH SELECTOR CHART

Exact Length		Number of Chimney Sections			Exact Length		Number of Chimney Sections		
Ft. In.	Inches	9"	18"	36"	Ft. In.	Inches	9"	18"	36"
	10 1/4	1			9' 8 1/8	116 1/8	1		3
1' 6"	18		1		10' 3 15/16	123 15/16		1	3
2' 3"	27	1	1		11' 10 1/2	142 1/2			4
3' 9/16	36 9/16			1	13' 3 1/4	159 1/4		1	4
3' 9 9/16	45 9/16	1		1	14' 9 13/16	177 13/16			5
4' 5 5/16	53 5/16		1	1	16' 2 9/16	194 9/16		1	5
5' 2 5/16	62 5/16	1	1	1	17' 9 1/8	213 1/8			6
5' 11 7/8	71 7/8			2	19' 1 7/8	229 7/8		1	6
6' 8 7/8	80 7/8	1		2	20' 8 7/16	248 7/16			7
7' 4 5/8	88 5/8		1	2	22' 1 3/16	265 3/16		1	7
8' 1 5/8	97 5/8	1	1	2	23' 7 3/4	283 3/4			8
8' 11 3/16	107 3/16			3	25' 1/2	300 1/2		1	8

### MINIMUM CHIMNEY HEIGHTS FOR ONE OIL BURNING APPLIANCE

6" to 14" Chimney Size

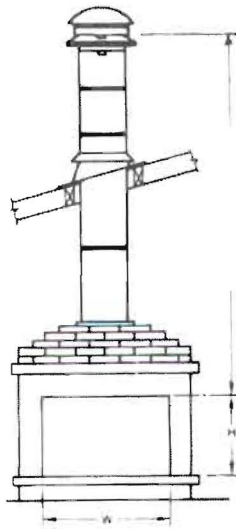
APPLIANCE RATING INPUT		THOUSAND OF BTU/HR or (GAL/HR)				NO. OF TURNS (TEES & ELBOWS)	TOTAL CHIMNEY HEIGHT Feet From Flue Outlet To Chimney Top						
METALBESTOS CHIMNEY SIZE							REQUIRED DRAFT INCHES OF WATER						
6"	7"	8"	10"	12"	14"	I/A BTU/ SQ. IN.	.03	.04	.05	.06	.08	.10	
up to 170 (1.21)	up to 230 (1.65)	up to 300 (2.15)	up to 470 (3.35)	up to 675 (4.8)	up to 925 (6.6)		6,000	0	5.0	6.5	8.0	9.5	13.0
						1		6.5	8.0	9.5	11.0	14.5	17.5
						2		7.5	9.0	10.5	12.0	15.5	18.5
						3		8.5	10.0	11.5	13.0	16.5	19.5
195 (1.4)	270 (1.93)	350 (2.5)	550 (3.9)	790 (5.65)	1080 (7.7)	7,000	0	5.0	6.5	8.5	10.0	13.0	16.5
							1	7.5	9.0	10.5	12.0	15.5	18.5
							2	8.5	10.5	12.0	13.5	17.0	20.0
							3	10.0	11.5	13.5	15.0	18.0	21.5
225 (1.6)	305 (2.18)	400 (2.85)	625 (4.5)	905 (6.45)	1230 (8.8)	8,000	0	5.0	7.0	8.5	10.0	13.5	16.5
							1	8.0	9.0	11.5	13.0	16.5	20.0
							2	10.0	11.5	13.5	15.0	18.5	21.5
							3	12.0	13.5	15.5	17.0	20.5	23.5
255 (1.8)	345 (2.47)	450 (3.23)	705 (5.05)	1015 (7.25)	1385 (9.9)	9,000	0	5.5	7.0	9.0	10.5	14.0	17.5
							1	9.0	11.0	12.5	14.0	17.5	21.0
							2	11.5	13.5	15.0	16.5	20.0	23.5
							3	14.0	16.0	17.5	19.0	22.5	26.0
280 (2.0)	385 (2.75)	500 (3.6)	785 (5.6)	1130 (8.1)	1540 (11.0)	10,000	0	5.5	7.5	9.0	11.0	14.5	18.0
							1	10.5	12.0	14.0	15.5	19.5	22.0
							2	13.5	15.5	17.0	19.0	22.5	26.0
							3	16.5	19.5	20.5	22.0	25.5	29.5
28 8'	38 10'	50 11'	78 14'	113 16 1/2'	154 19'	FLUE AREA, SQ. IN. MAX. CONNECTOR LENGTH ‡							

‡ Doubling the connector length reduces input by 10%

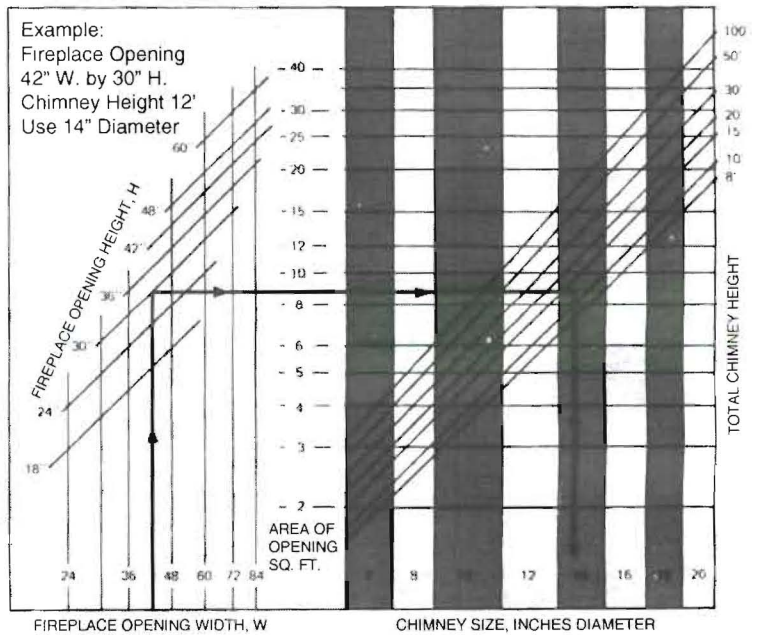
NOTE: For gas-fired appliances, see sizing tables in Metalbestos Gas Vent and Chimney Sizing Handbook.

### CHIMNEY SIZING CHART FOR FIREPLACES WHICH MAY BE OPERATED WITH OPEN FRONTS.

For heaters and stoves burning wood or coal, see the appliance instructions or use appliance outlet for the chimney.



NOTE:  
CHIMNEY OFFSETS (5' & 2-90' TURNS) REQUIRE 50% EXTRA HEIGHT OR ONE SIZE LARGER PIPE





# Model SSII Chimney

# S-4

## Installation Instructions

Covering— Roof Support Package & Anchor Plate

Read Sheet GS for important clearance and safety precautions before installing any of the parts described by this Sheet. Sheet GS is packaged with Supports.

### ⚠ WARNING

Failure to follow the installation instructions could cause FIRE, CARBON MONOXIDE POISONING, OR DEATH. If you are unsure of installation requirements, call the Phone Number listed on the instructions or sizing handbook.

### ROOF SUPPORT PACKAGE (PART NO. RSP)

The Roof Support Package is an ideal assembly for freestanding fireplaces and open cathedral ceiling installations. It fits all roof pitches and requires only simple framing. The package contains one 18" length of pipe with thimble plates, two roof brackets and necessary hardware. Maximum length of chimney which can be suspended below is 20 feet. Maximum total chimney length is 30 feet.

Follow these simple steps for a roof supported chimney installation:

1. Cut an opening in the roof and frame all around the opening to distribute weight load (Fig. 1). Be sure to allow for a 2" minimum clearance (Fig. 2).
2. Center assembly in the opening. Adjust plates to the roof pitch and tighten nuts (Fig. 2).
3. Install six screws per roof plate with the innermost screws going into rafters or headers (Fig. 1).
4. Twist lock additional lengths of chimney to top of assembly pipe to required chimney height above roof (3 feet above highest point where chimney passes through roof and at least 2 feet higher than any portion of building within 10 feet)
5. Drop a Flashing, suitable for the roof pitch, over the top chimney section and nail to roof through side and top flanges. Use nails with a neoprene washer or cover nails with mastic (See Installation Sheet S-3.)

### IMPORTANT

Chimney Sizes 6", 7" and 8" are Type HT and carry a "T" in the part number. Larger sizes use an "S" in the part number.

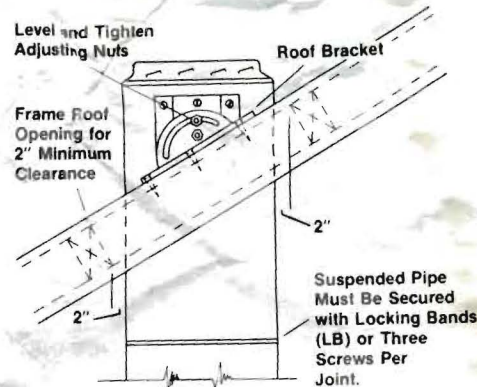


FIG. 2 ROOF SUPPORT POSITION ON SLOPED ROOF

6. Finish roofing around chimney, covering the side and upper areas of flashing flange. Be sure lower unnailed portion of flange covers roofing.
7. Place Storm Collar (SC) down over chimney until it touches flashing and fasten. Work in a waterproof mastic between pipe and Collar.
8. Twist lock additional pipe lengths to bottom of pipe assembly, not to exceed 20 feet. Entire chimney should be secured at every joint with a Locking Band (LB) or screws (Fig. 3).
9. The opening into a pitched ceiling or roof may be trimmed using a Pitched Ceiling Plate (PCP).

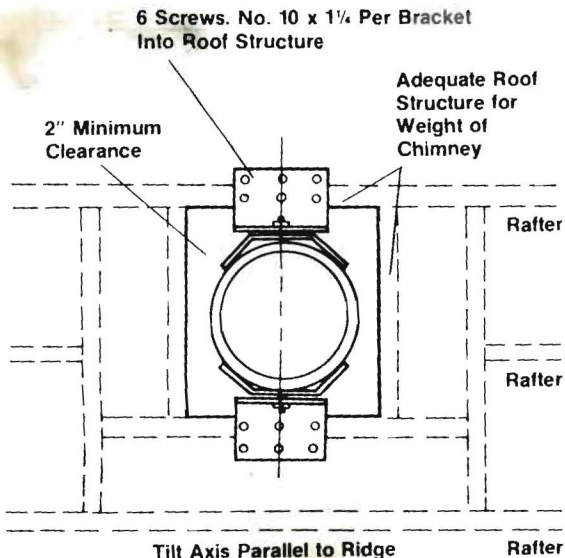


FIG. 1 ROOF SUPPORT FRAMING

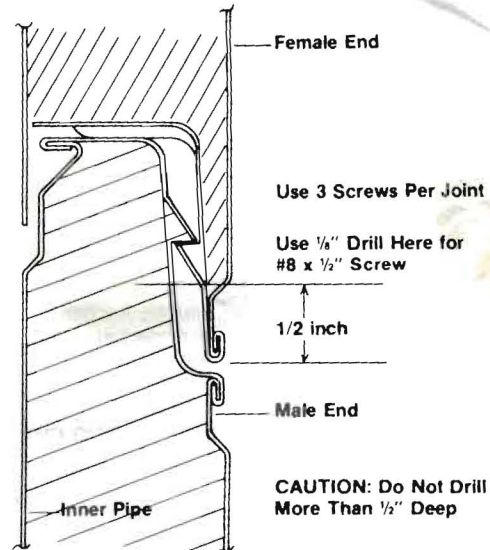


FIG. 3 DRILLING DIAGRAM

## INSULATED CHIMNEYS

Advanced chimneys, etc. observe precautions below for single wall pipe clearances. Single wall pipe must not pass through wood walls or into ceiling or roof (Fig. 4).

See S1-3 for Bracing  
Height Exceeds 4 Ft.

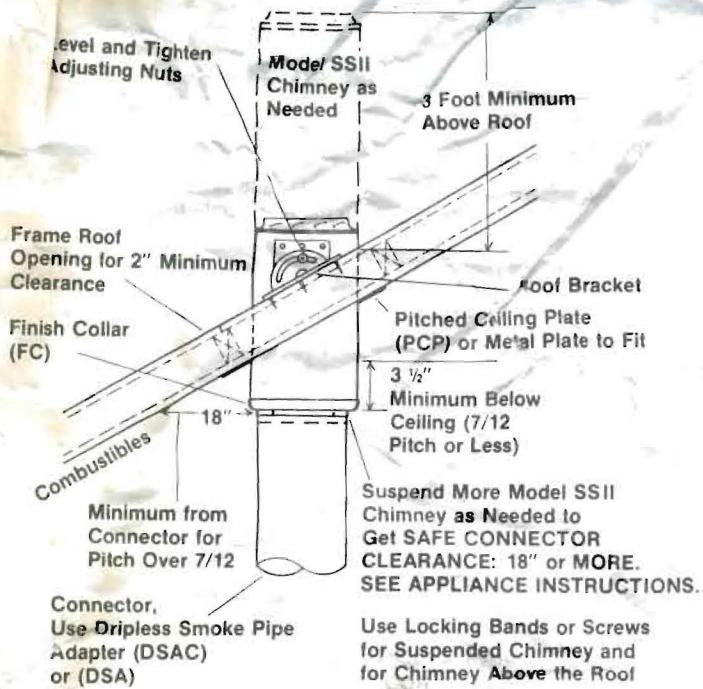


FIG. 4 REQUIRED CLEARANCES FOR ROOF SUPPORT

## ANCHOR PLATE (PART NO. AP)

The Anchor Plate provides a connection from a masonry fireplace to a Selkirk Metalbestos Chimney. The following steps describe installation of this part

1. Using the anchor plate as a template, centered over the outlet opening, drill and anchor four 1/4" diameter bolts 2" long securely into the top of the masonry fireplace. See Figure 5.
2. Apply a bed of mortar approximately 3/4" in depth and 3" in width completely around the fireplace opening. Make sure the threaded ends of the bolts protrude a minimum of 1" above the bed of mortar
3. While the mortar is still damp, place and level the Anchor Plate over the extended studs. Secure, using a washer and nut for each bolt.
4. Check the plate for level and allow mortar to set.
5. Place a section of chimney onto the Anchor Plate and secure to Anchor Plate with a 1/8 clockwise turn. Up to 85' of chimney may be stacked on the Anchor Plate

NOTE: SEE SHEET P FOR CHIMNEY SIZING CHART FOR FIREPLACES

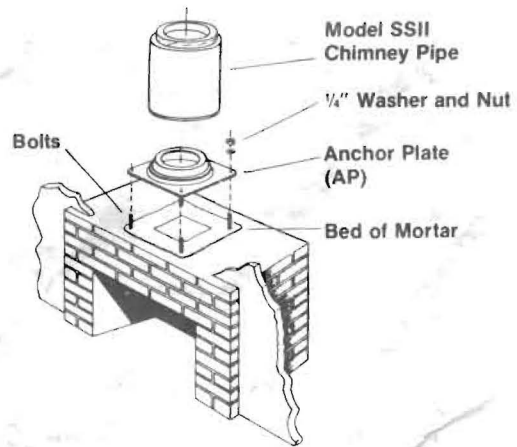


FIG. 5 ANCHOR PLATE INSTALLATION IN MASONRY FIREPLACE

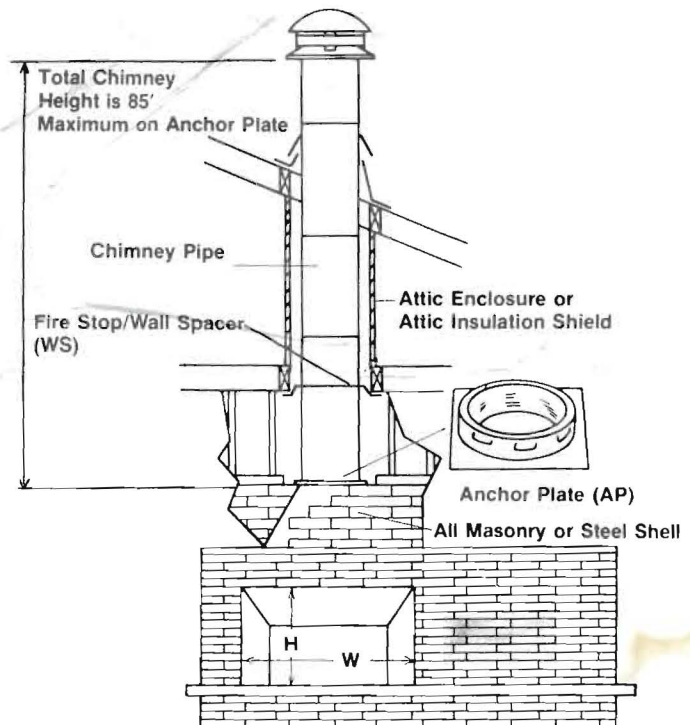


FIG. 6 ANCHOR PLATE SUPPORT FOR MASONRY FIREPLACE



# CITY OF PORTLAND, MAINE

## Department of Building Inspections

Aug 13 2004

Received from Steve Warkentin Heating

Location of Work 314 Cassen Ave

Cost of Construction \$ 4500.00

Permit Fee \$ 600

Building (IL) \_\_\_ Plumbing (I5) \_\_\_ Electrical (I2) \_\_\_ Site Plan (U2) \_\_\_

Other HVAC

CBL: 216 1 102

Check #: 511

Total Collected \$ 600.00

### THIS IS NOT A PERMIT

No work is to be started until PERMIT CARD is actually posted upon the premises. Acceptance of fee is no guarantee that permit will be granted. PRESERVE THIS RECEIPT. In case permit cannot be granted the amount of the fee will be refunded upon return of the receipt less \$10.00 or 10% whichever is greater.

WHITE - Applicant's Copy  
YELLOW - Office Copy  
PINK - Permit Copy

*Donna*