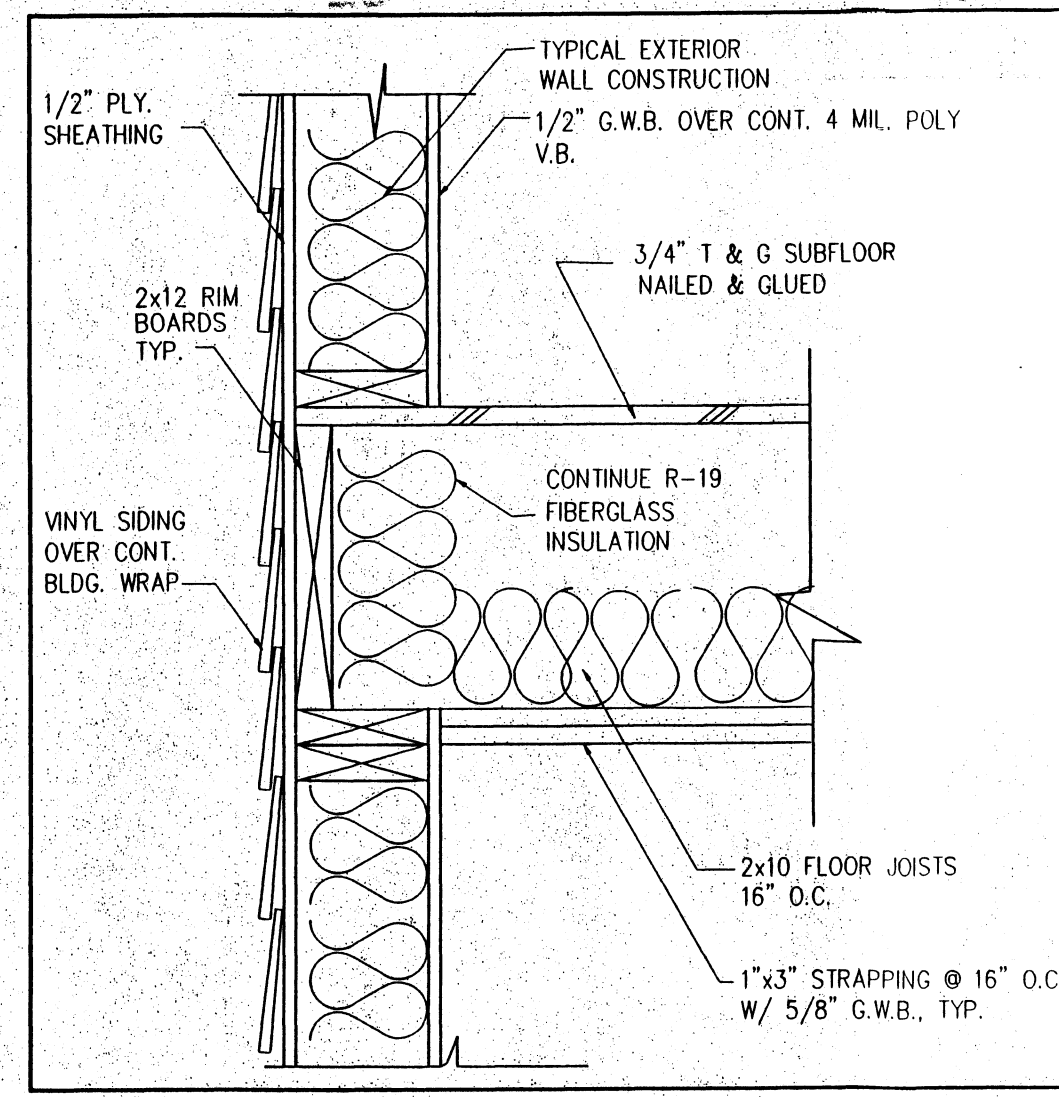


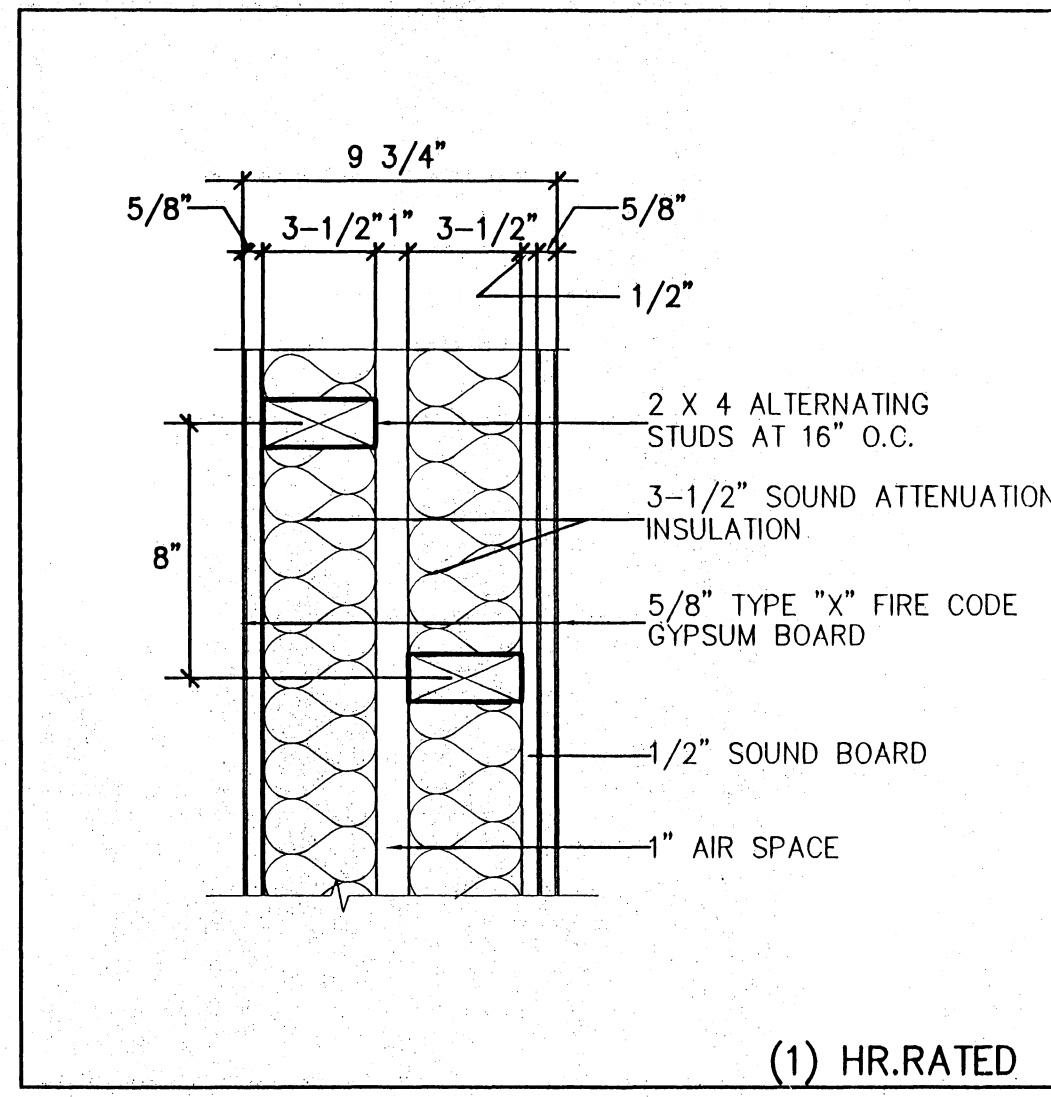
TYPICAL FOUNDATION WALL

SCALE: 1" = 1'-0"



1 FLOOR FRAMING DETAIL

1 1/2" = 1'-0"

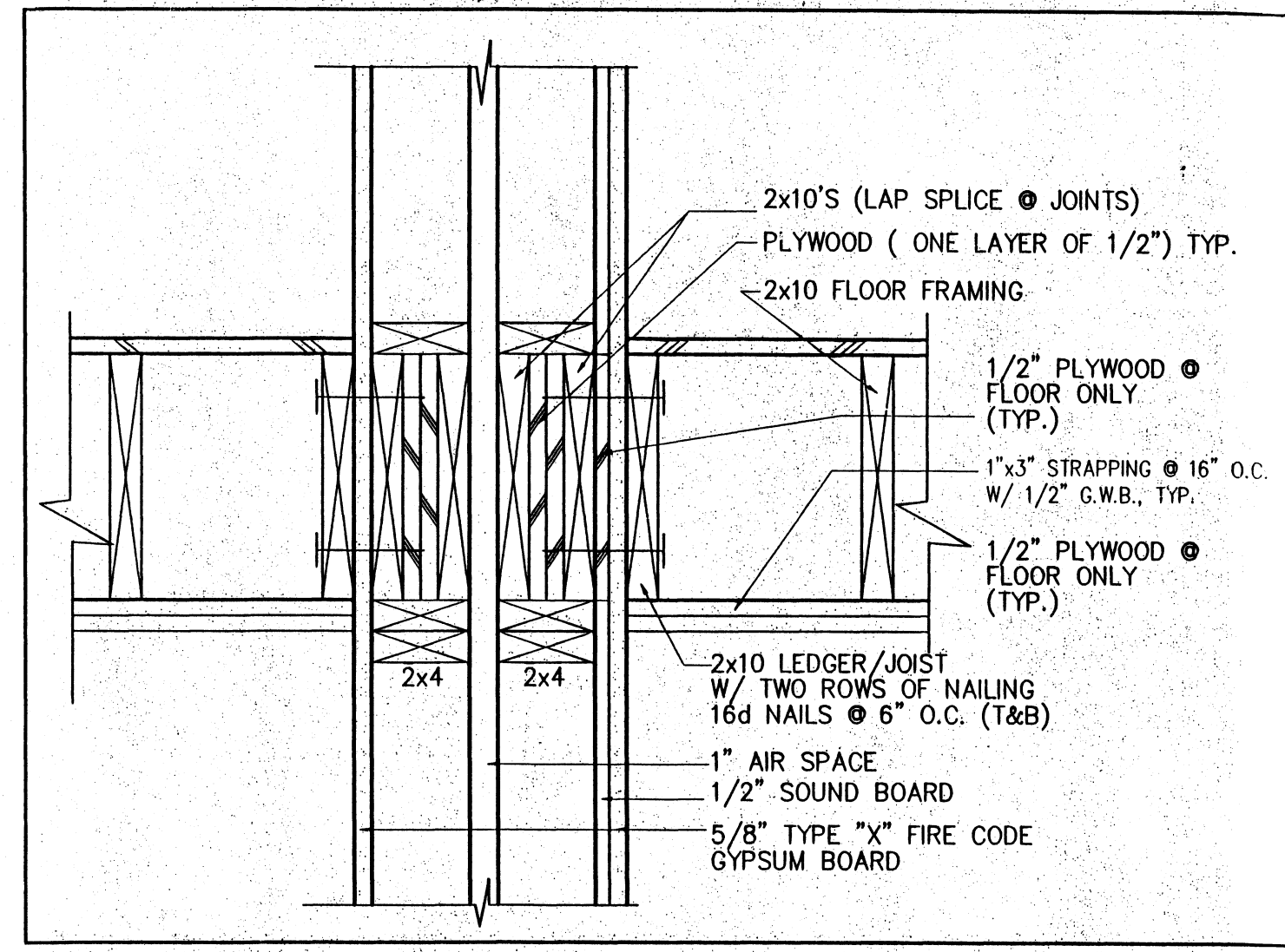


(2) PARTY WALL DETAIL

1 1/2" = 1'-0"
UL # U305 SIM

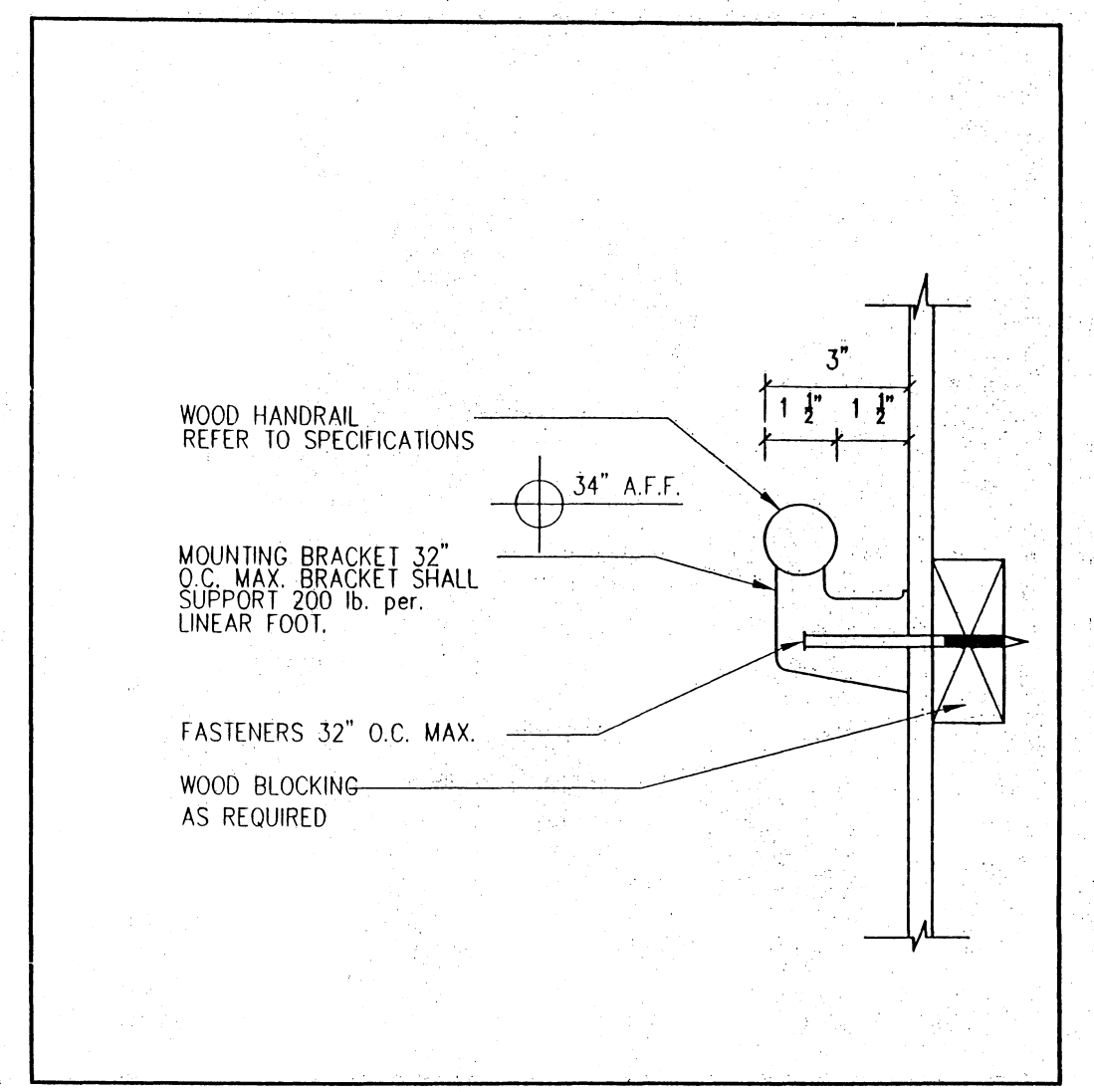
GENERAL NOTE FOR PARTY / SHEAR WALL:

1. PROVIDE 2x4 BLOCKING @ ALL PANEL EDGES & INTERMEDIATE. PROVIDE SCREWS @ 6" O.C. @ PANEL EDGES & INTERMEDIATE.
2. RUN 2x4 WALL TO UNDERSIDE OF ROOF DECK (IN ATTIC SPACE) ALIGNED W/ONE OF THE 2x4 WALLS IN THE PARTY WALL BELOW. PROVIDE (1) LAYER 7/16" APA RATED SHEATHING ONE SIDE ONLY. PROVIDE 2x4 BLOCKING @ ALL PANEL EDGES. PROVIDE 1d NAILS @ 6" O.C. @ PANEL EDGES & INTERMEDIATE.
3. OBTAIN WRITTEN APPROVAL FROM AUTHORITY HAVING JURISDICTION FOR FIRE WALL RATING SHOWN.



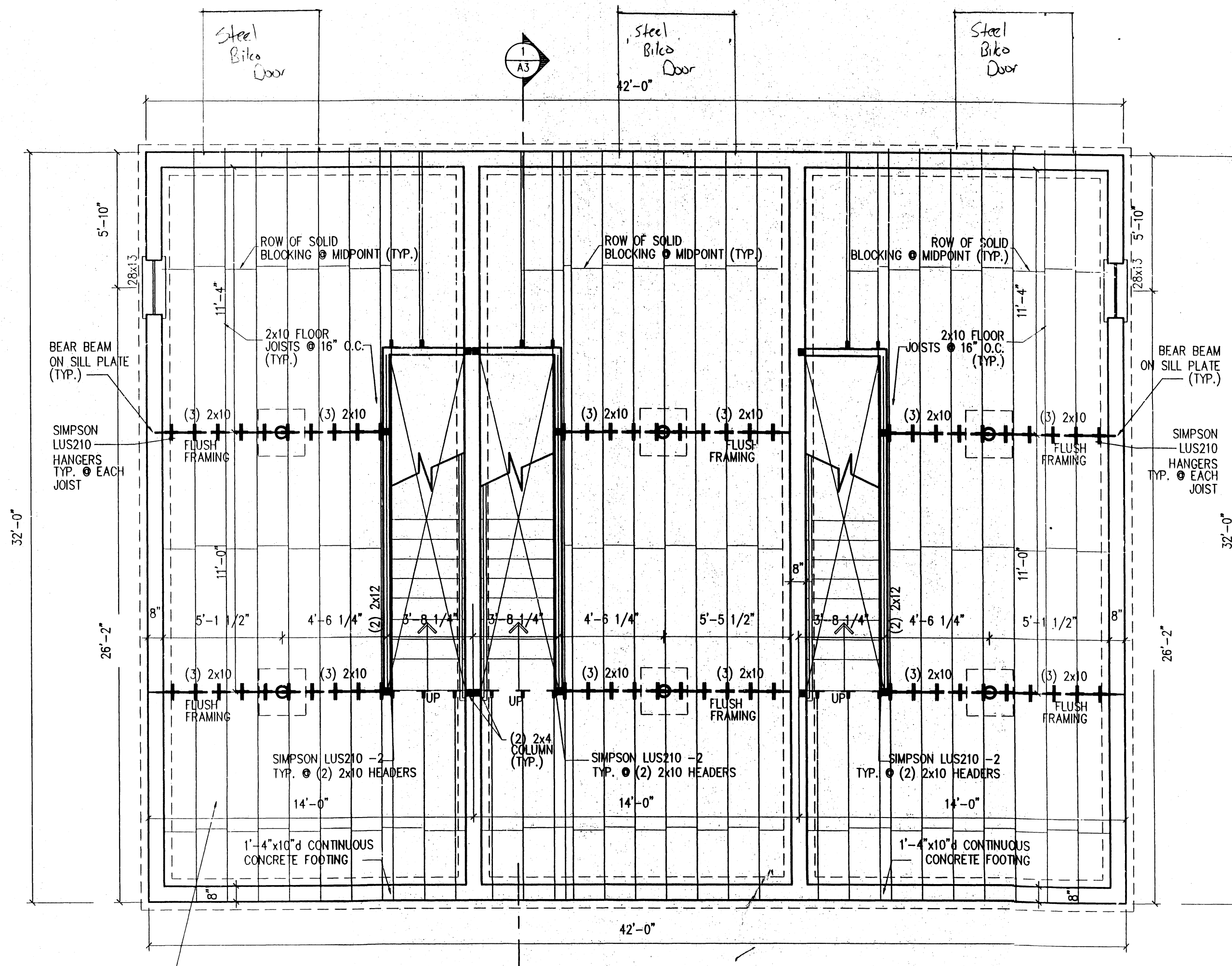
(3) SECTION PARTY WALL DETAIL

1 1/2" = 1'-0"



(4) HANDRAIL DETAIL

NIS



4" CONCRETE FLOOR SLAB W/FIBERMESH REINFORCEMENT OVER 6 MIL POLY VAPOR BARRIER OVER 6" COMPACTED STRUCTURAL FILL OR CRUSHED STONE ON UNDISTURBED SOIL. MOIST CURE SLABS & PROVIDE CONTROL JOINTS AS SPECIFIED. (TYP.)

FOUNDATION PLAN

SCALE: 1/4" = 1'-0"

DRAWINGS THIS SHEET

42 x 32 UNIT

FOUNDATION PLAN DETAILS

DATE
08/16/09

A1