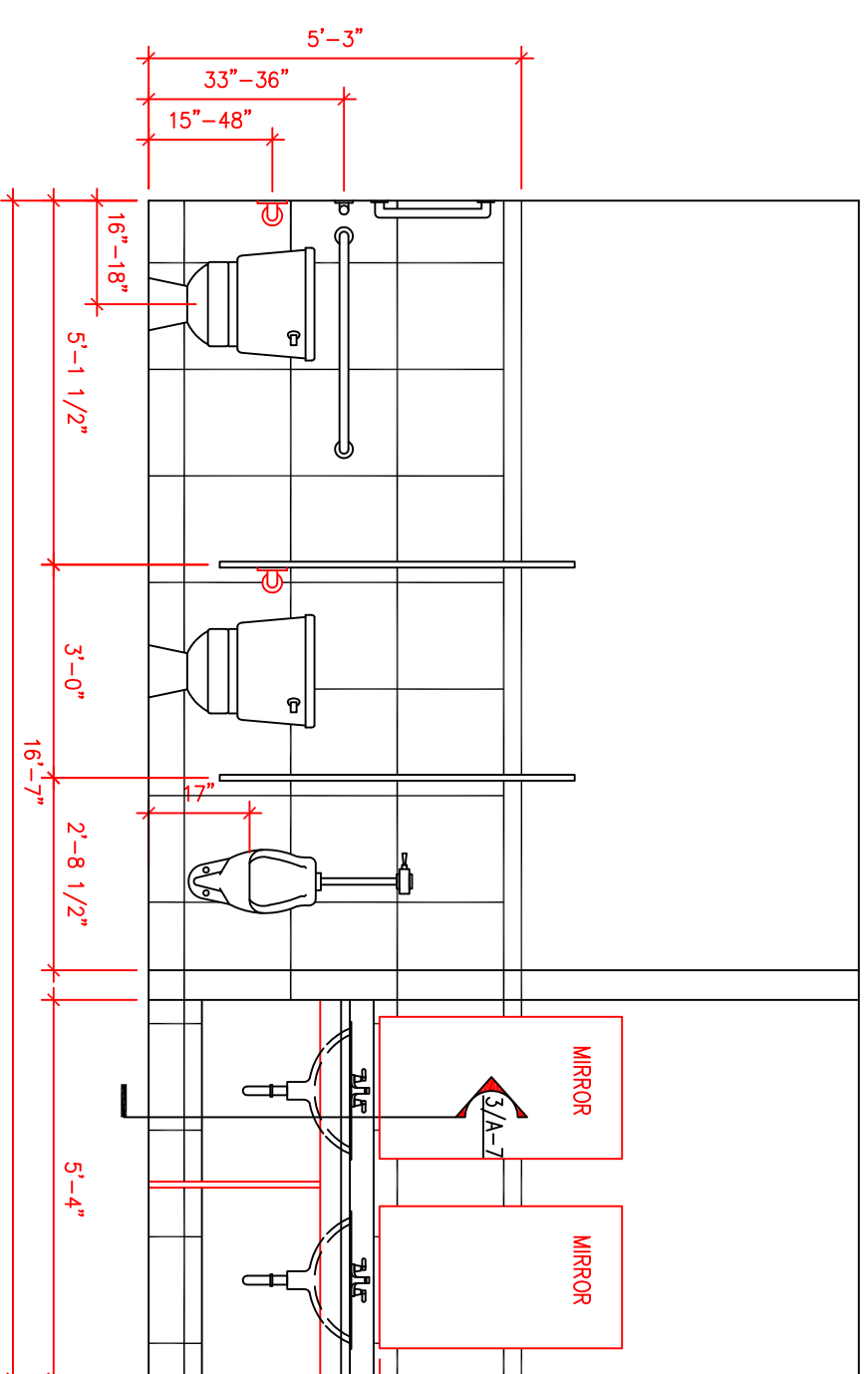
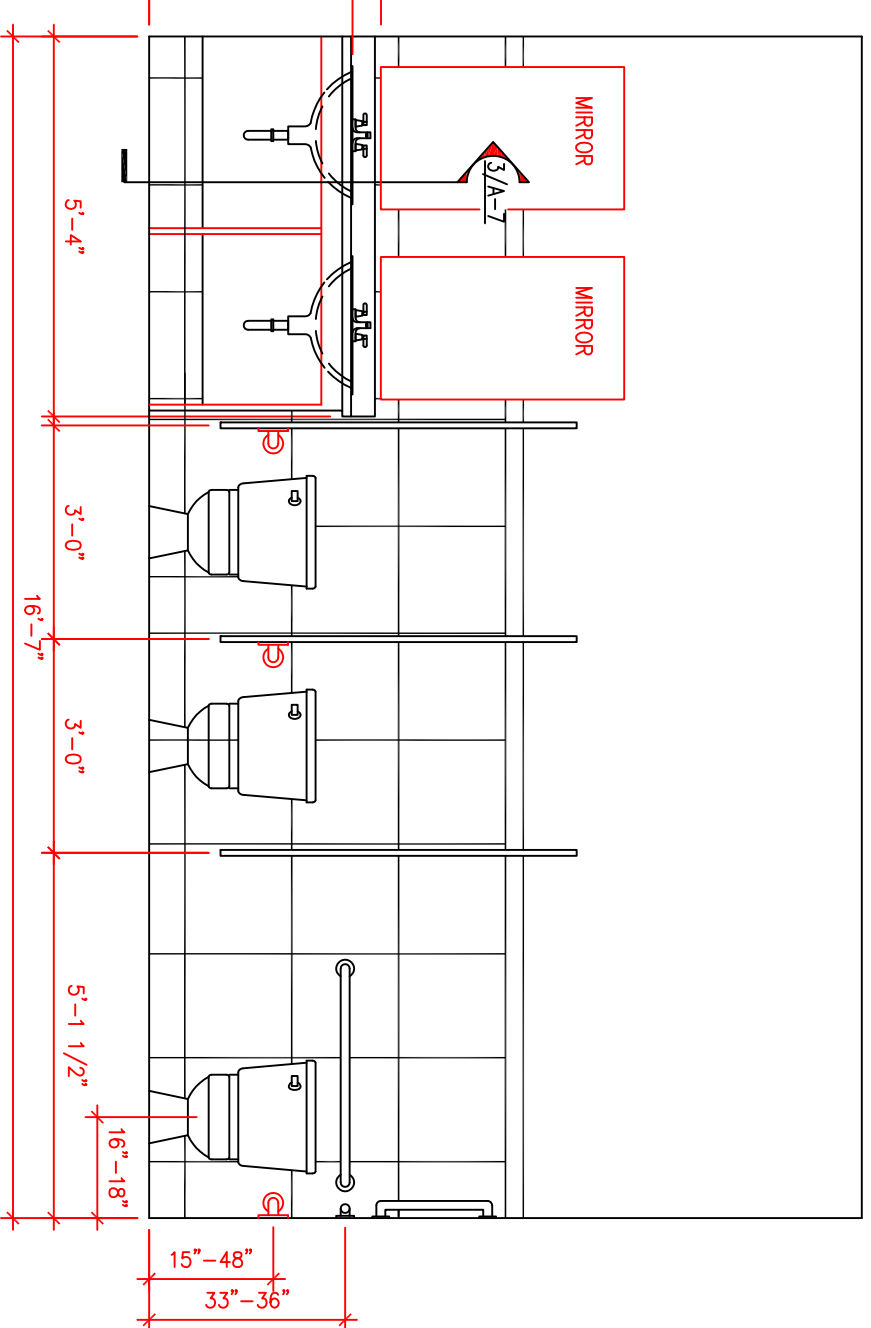


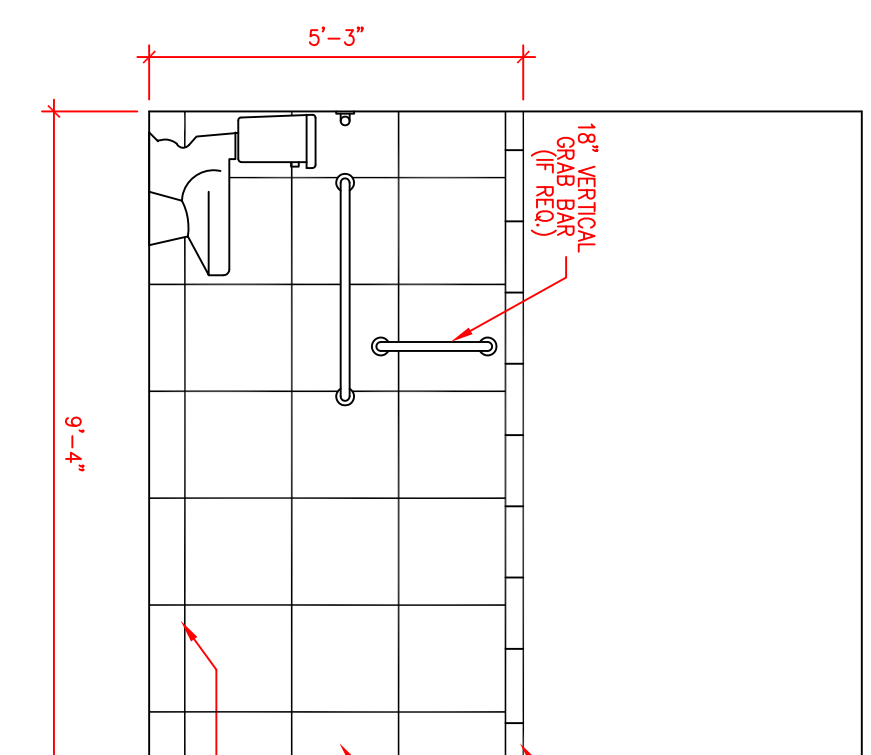
1 SCALE  
Men's Restroom  
Interior Elevation



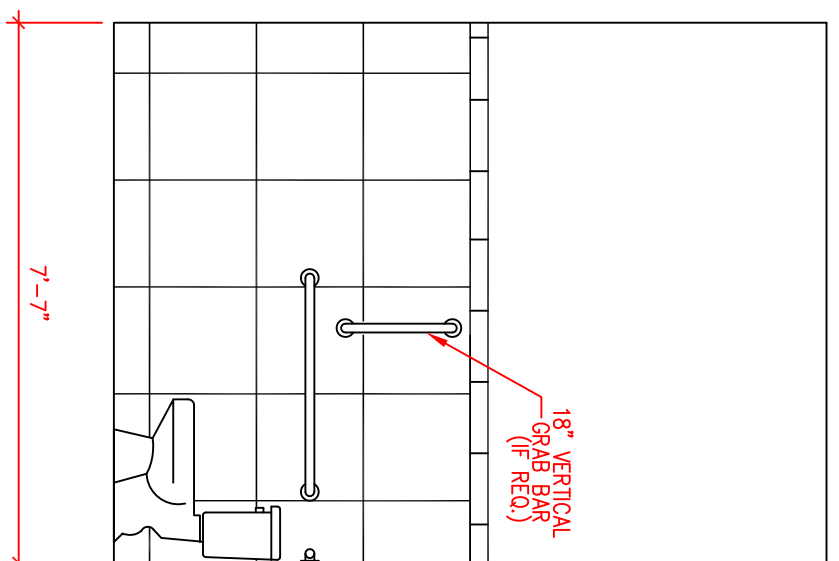
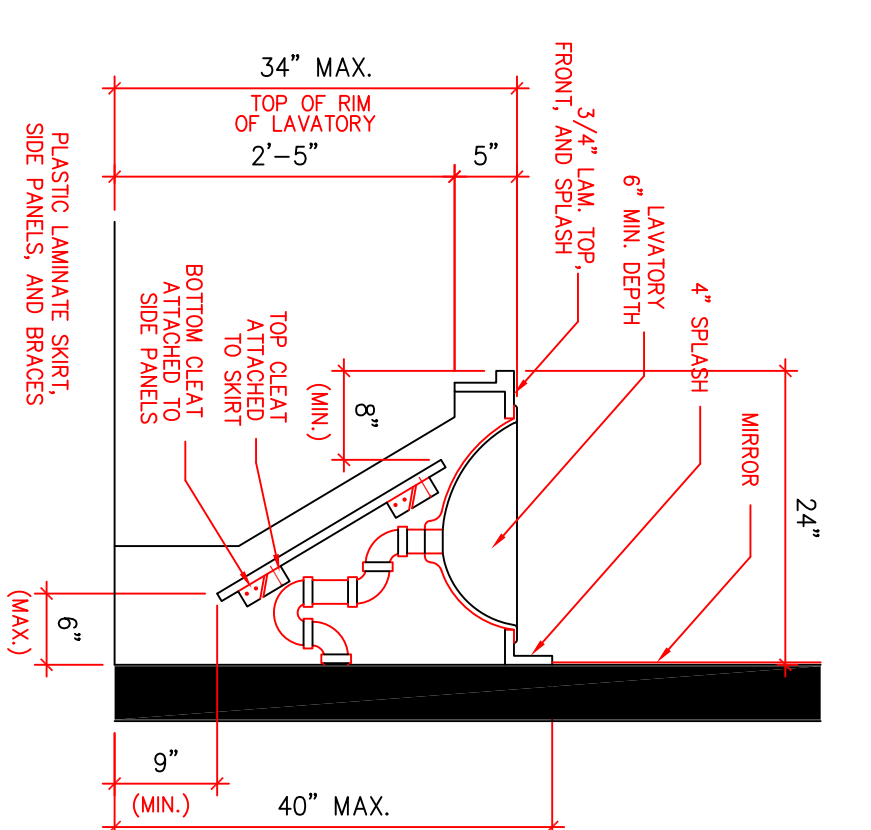
3/8" = 1'-0"



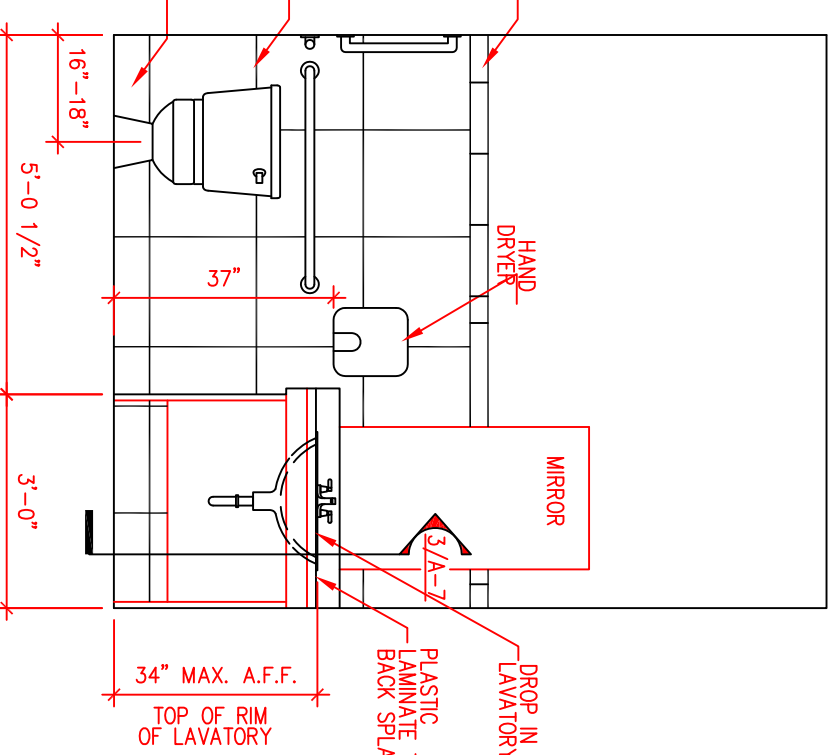
2 SCALE  
Women's Restroom  
Interior Elevation



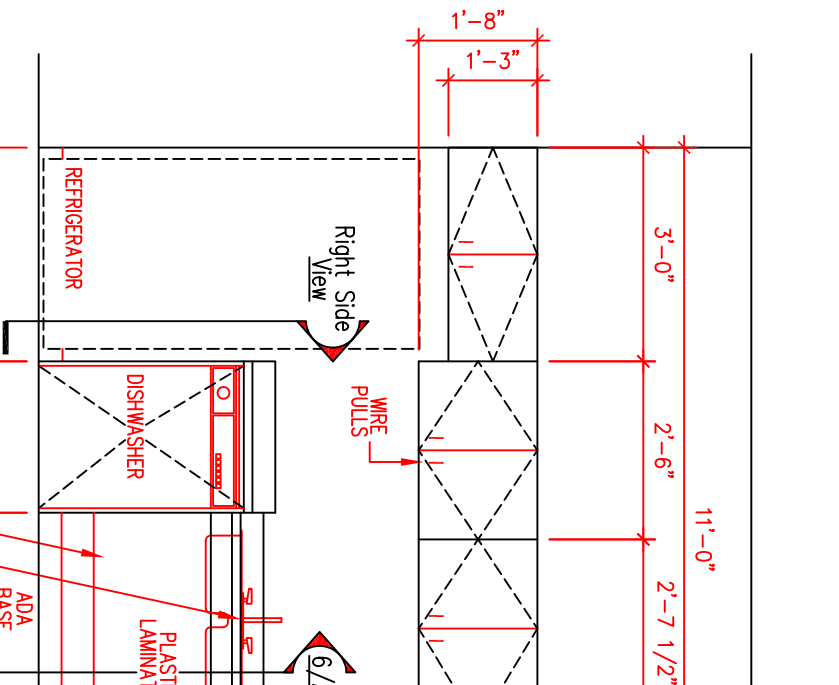
3 SCALE  
Skirt Section @ Lavatory



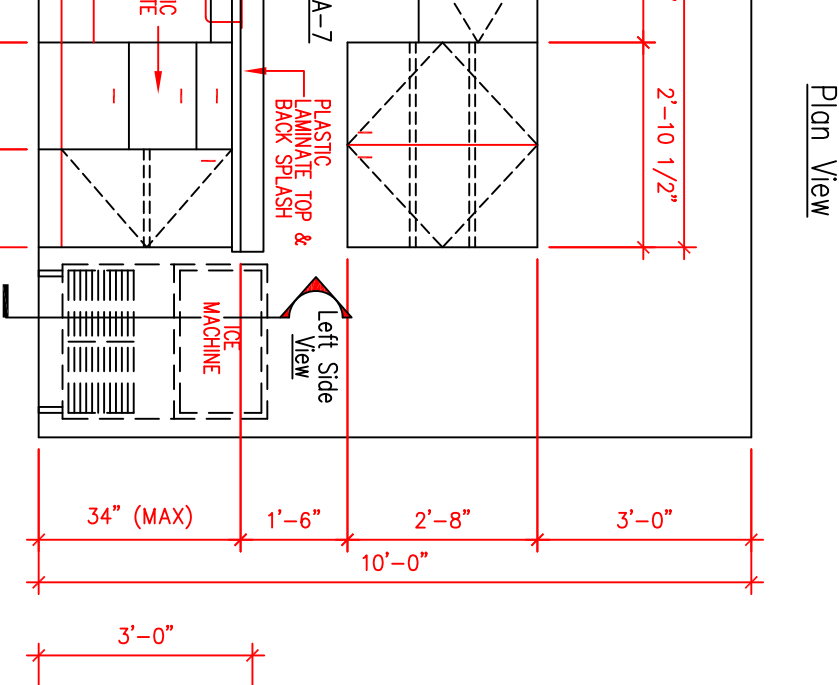
4 SCALE  
Customer Restroom -  
Interior Elevation



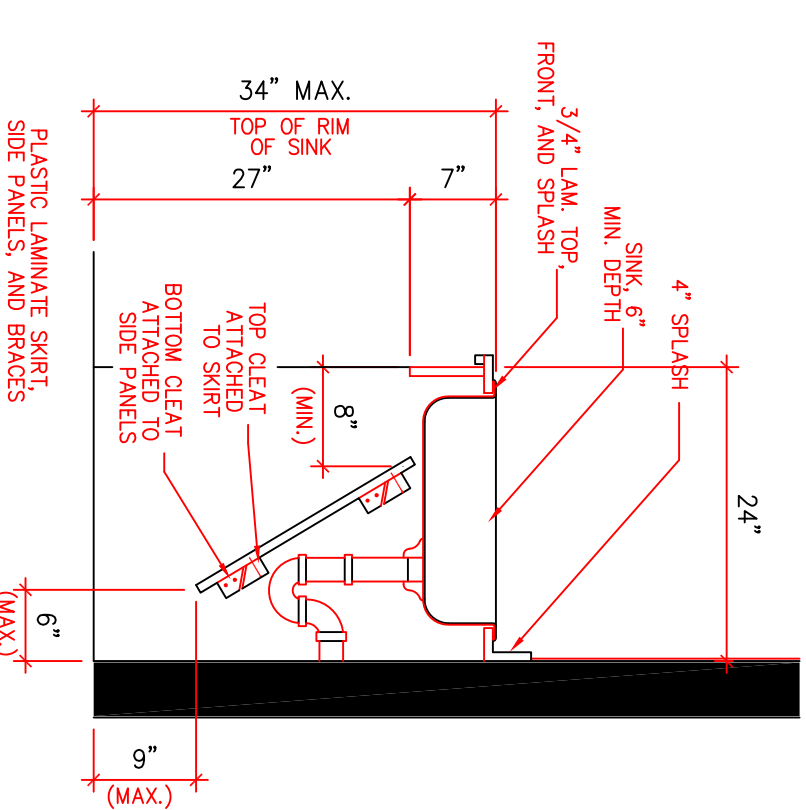
3/8" = 1'-0"



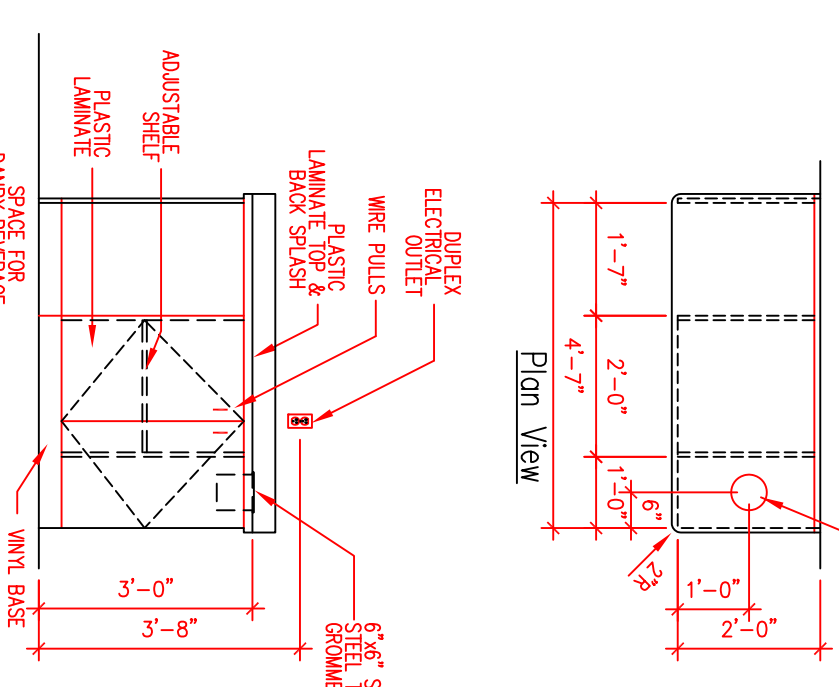
5 SCALE  
Break Room Cabinet Elevation



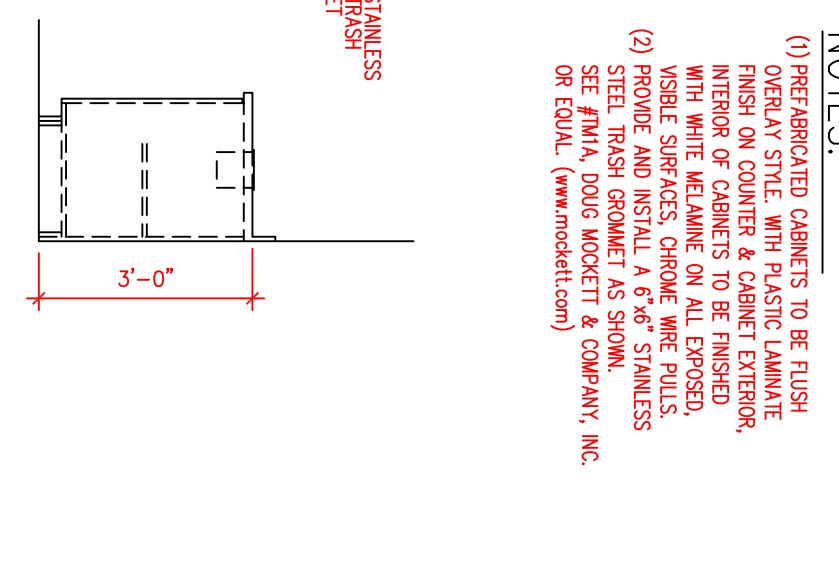
3/8" = 1'-0"



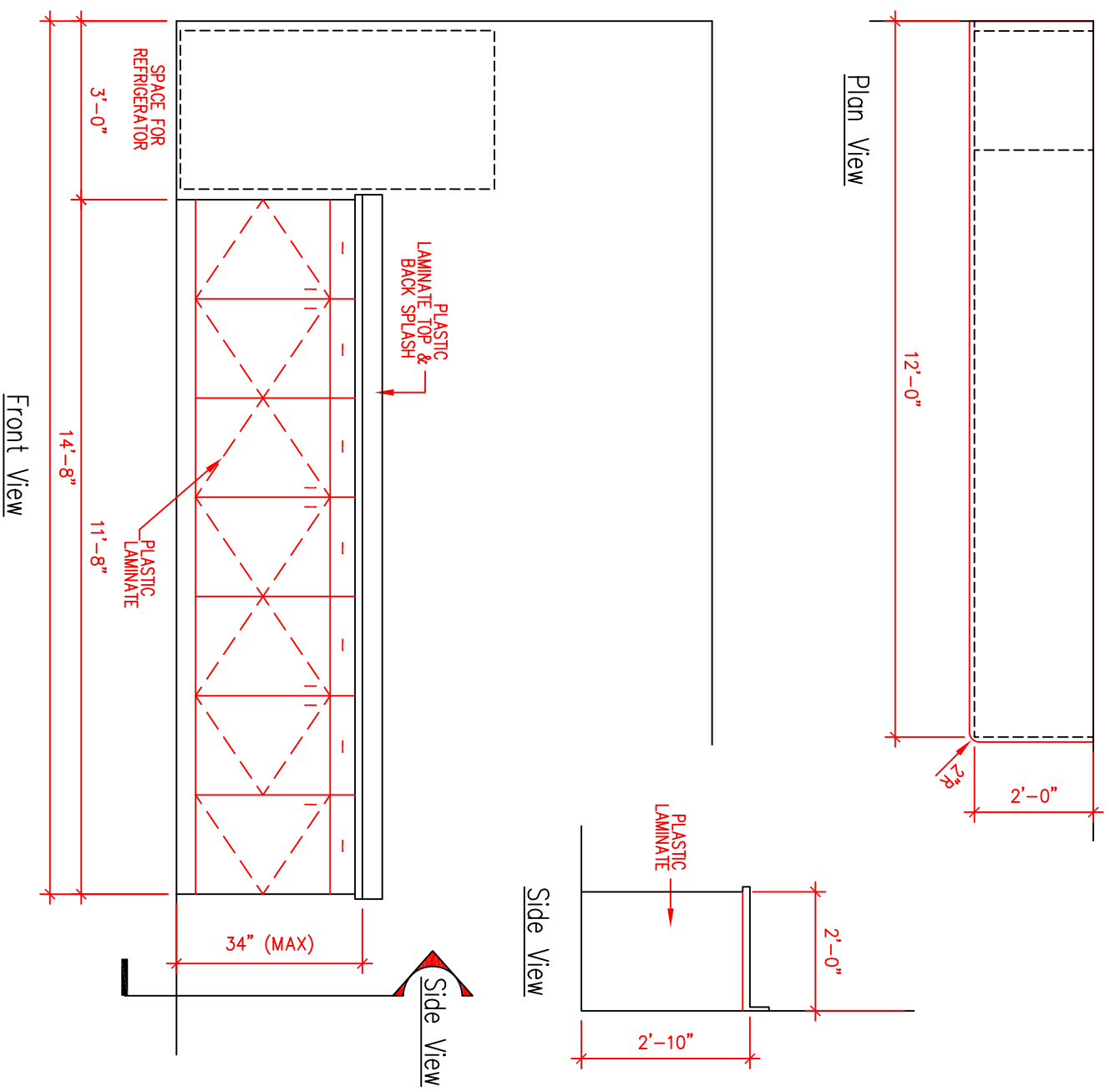
6 SCALE  
Skirt Section @ Sink



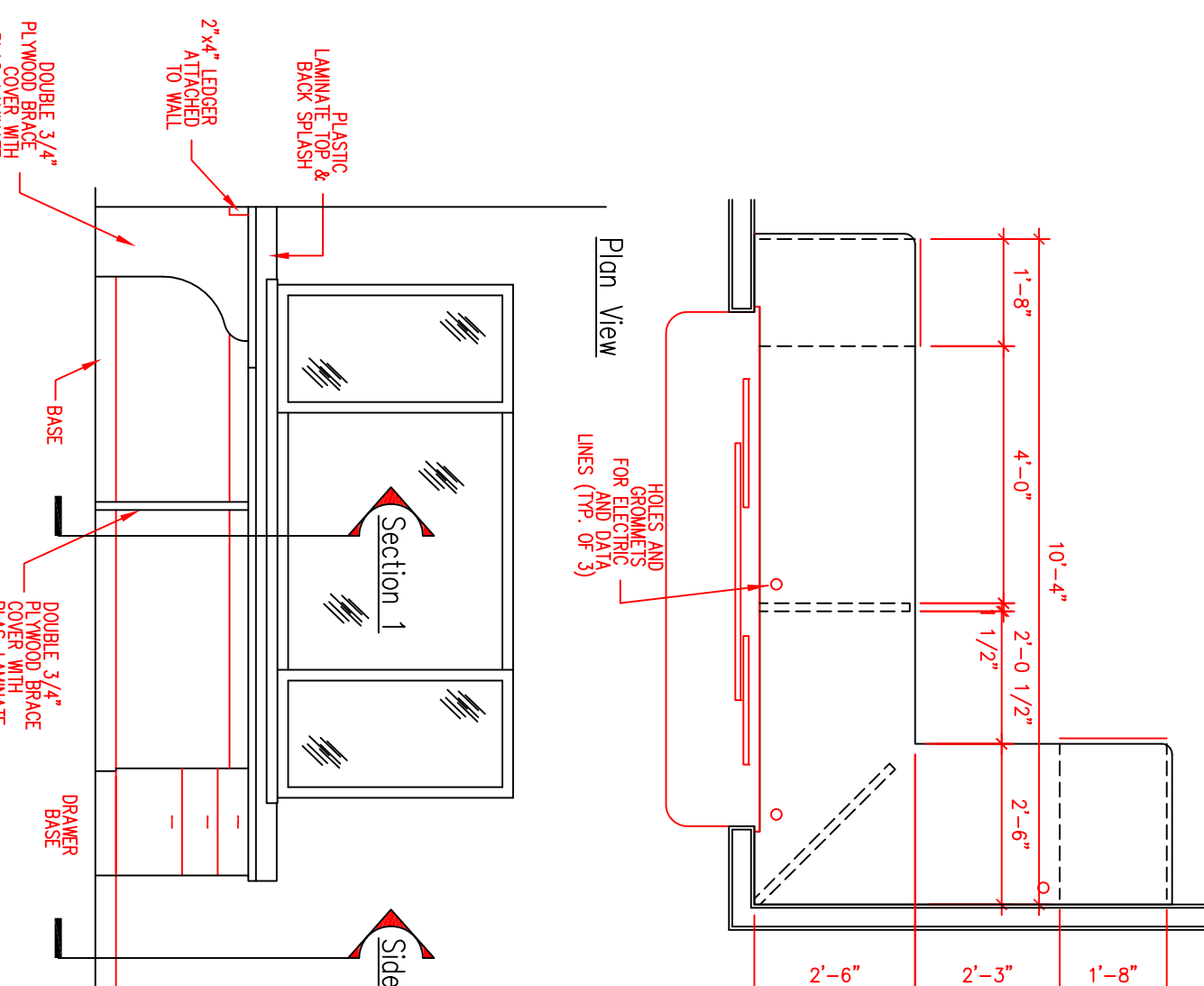
6 SCALE  
Customer Waiting  
Room - Coffee Bar



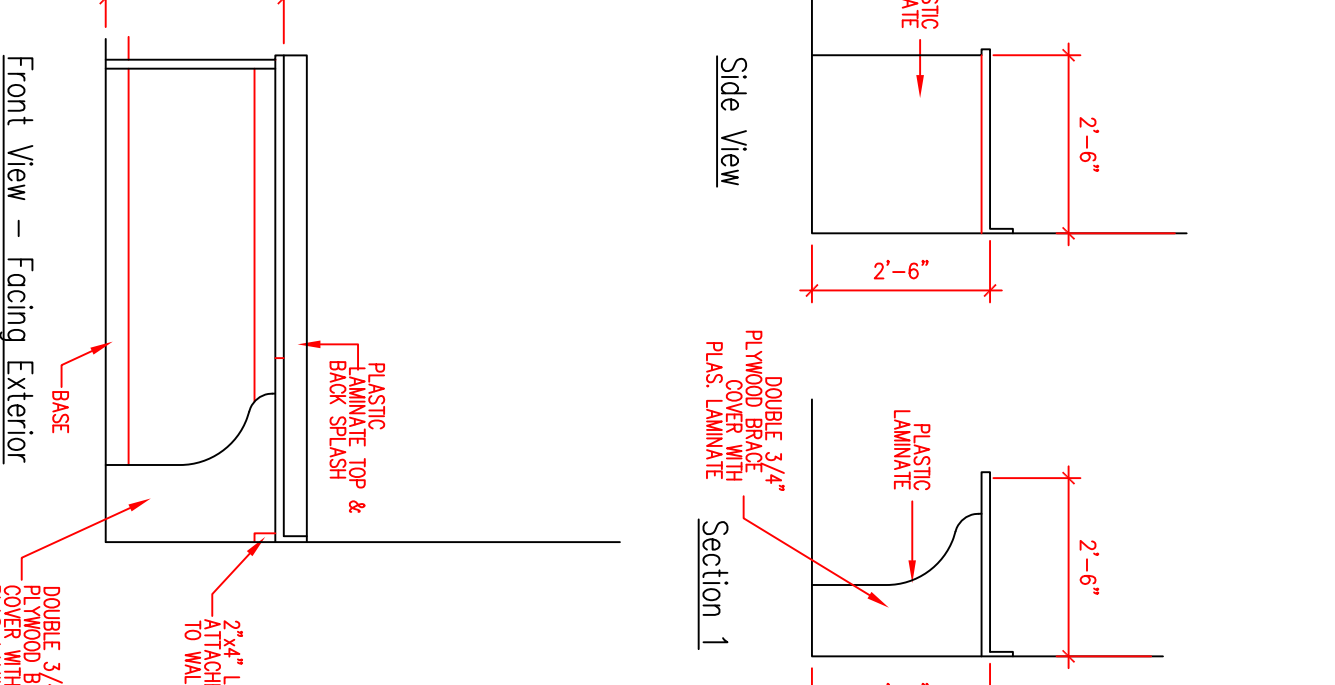
3/8" = 1'-0"



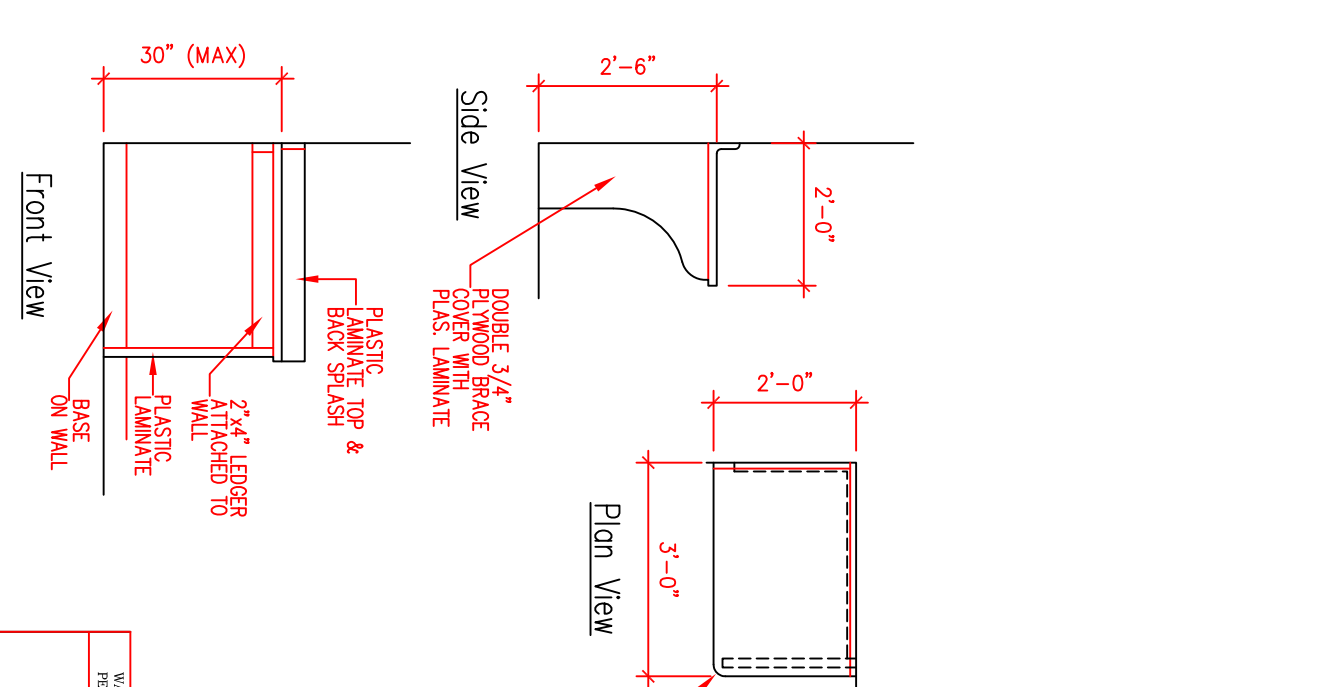
8 SCALE  
Cabinet and Counter  
in Training / Conference



9 SCALE  
CSR Counter



3/8" = 1'-0"



10 SCALE  
Small Counter  
in Conference Room

| DATE    | REVISION                   |
|---------|----------------------------|
| 3/21/16 | City change                |
| 4/22/16 | Sheridan title block added |
| 5/5/16  | Note added                 |

DISCLAIMER:  
Drawings A-00, A-1, A-1.1, A-2, A-2.0, A-3, A-3.1, A-3.2, A-4.0, A-5.0, A-6.0, A-7.0 were drawn by Satellite AutoCADs. The original date of these drawings (Rev.) is 03/28/16. The Sheridan Corporation replaced Satellite's title with theirs and all revisions since Rev. 1 are by Sheridan's designers. All revisions/changes by Sheridan are noted in the applicable drawing(s) revision block.



| DRAWING STATUS |             | ENGINEERING DESIGNS FOR        |             |
|----------------|-------------|--------------------------------|-------------|
| EST. NO.       | RAJP TITLE  | Societte AutoGloss             | JOB NO.     |
| SIZE           | TYPE        | 421 Warren Avenue              | 16-1003     |
| TYPE           | DESIGNED BY | Portland, Maine                | ENGINEERING |
| SCALE          | REVIEWED BY |                                | DWG. NO.    |
| DATE           | DATE        | Millwork, Elevations & Details | A6          |
| 04/22/2016     | 04/22/2016  |                                |             |