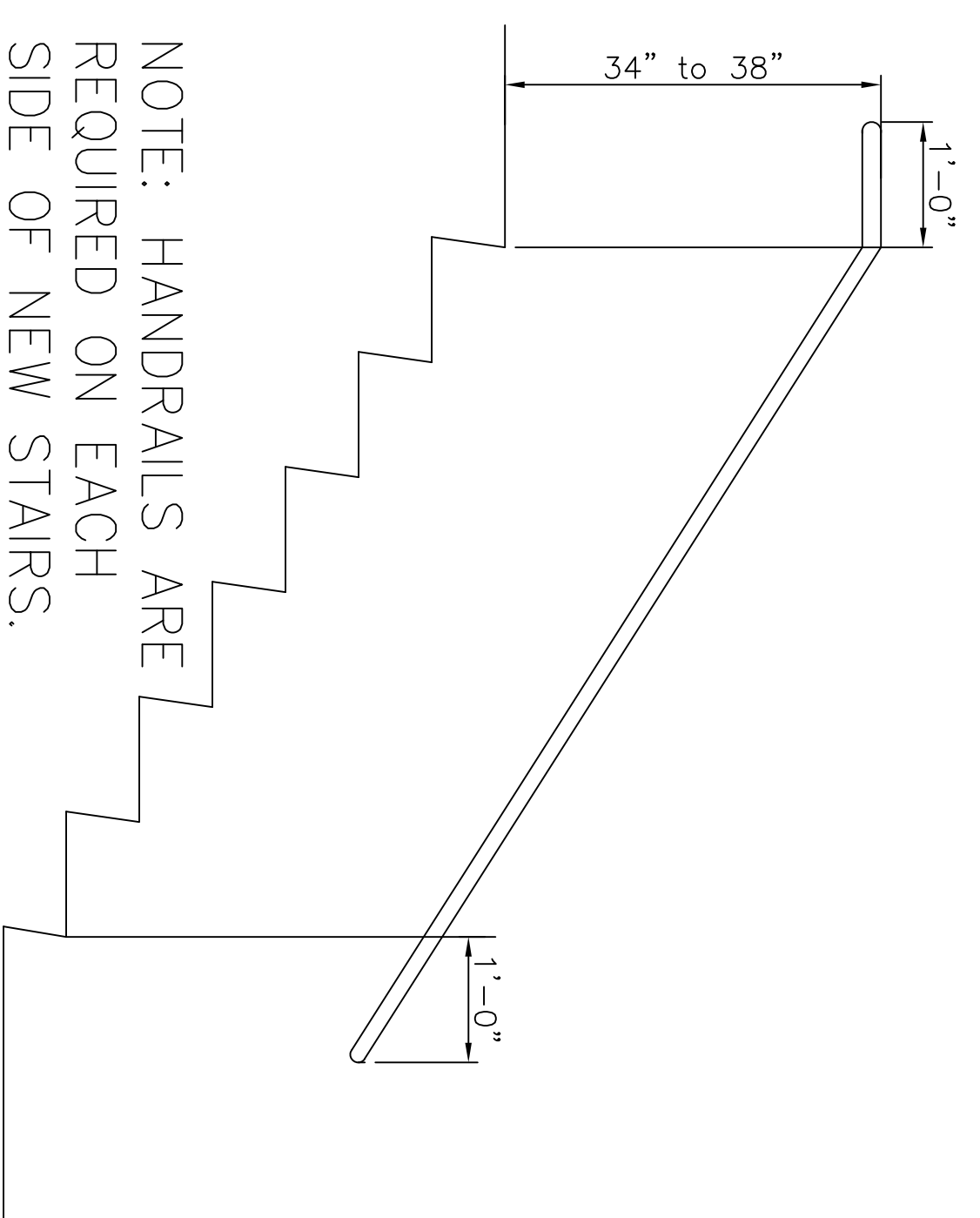


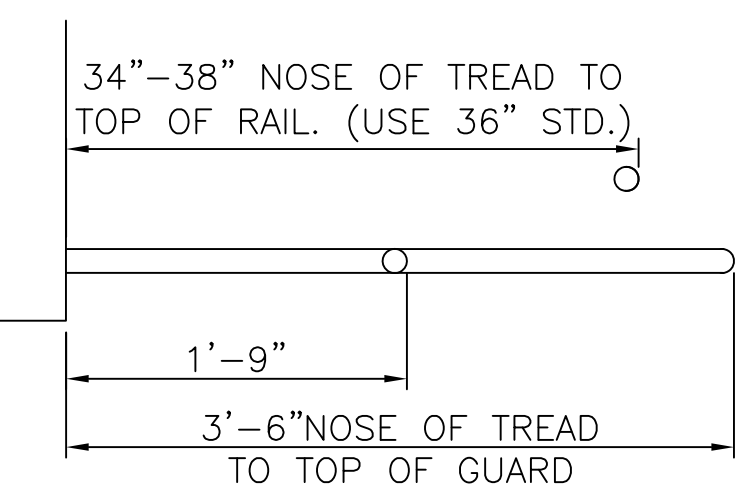
LIMITATIONS FOR:  
 USE GROUPS I-3, F, H-1, H-2, H-3 AND S  
 (OTHER THAN PUBLIC GARAGES AND OPEN  
 PARKING STRUCTURES) AND OPEN-SIDED  
 FLOOR AREAS LESS THAN 30" ABOVE  
 THE SURFACE BELOW.

STAIR GUARD OPENINGS

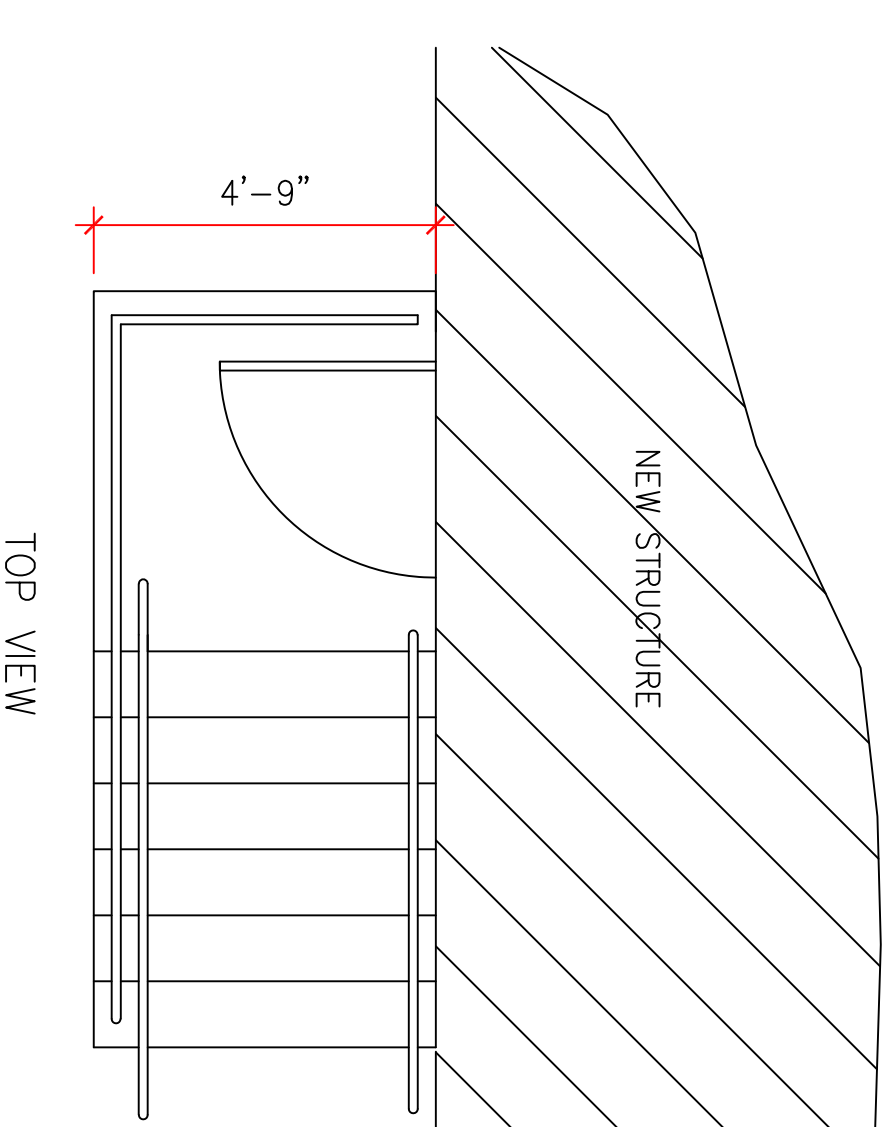


NOTE: HANDRAILS ARE  
 REQUIRED ON EACH  
 SIDE OF NEW STAIRS.

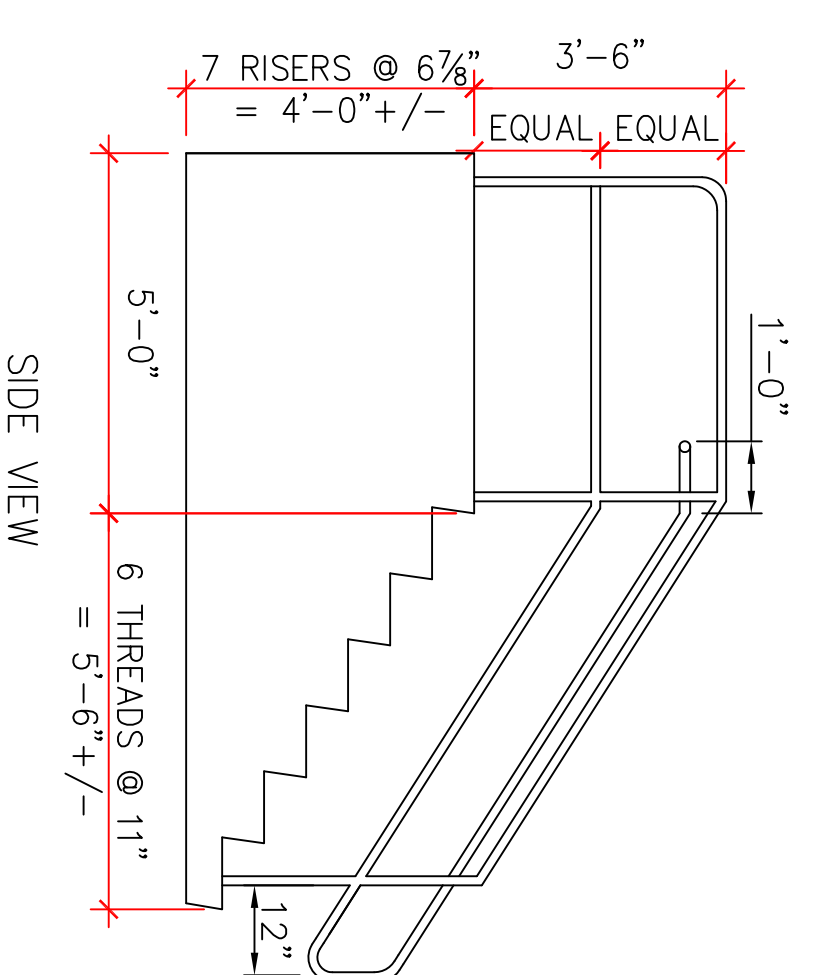
STAIR HANDRAIL DIMENSIONS



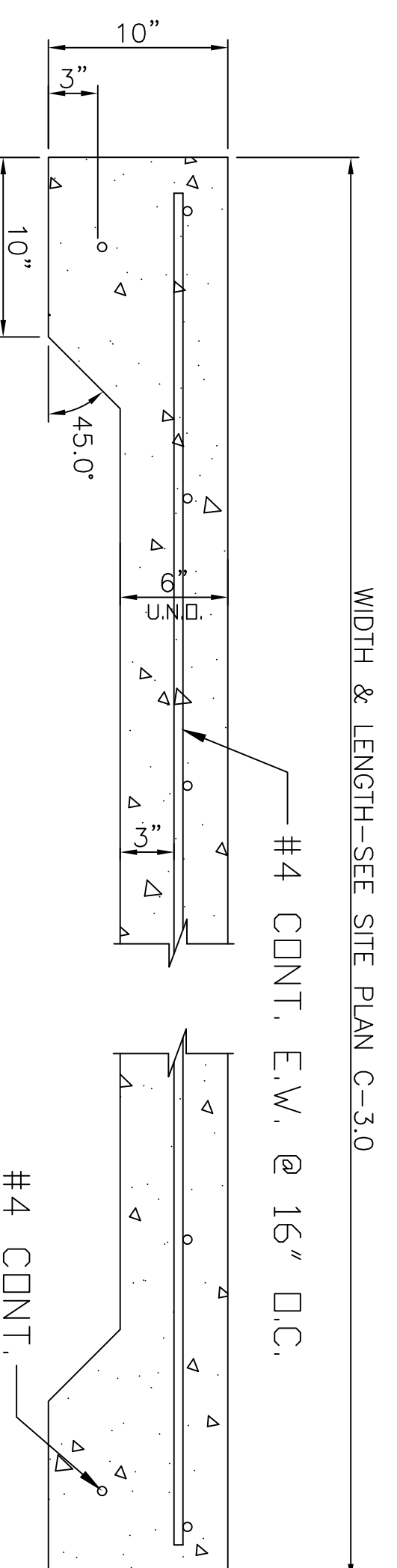
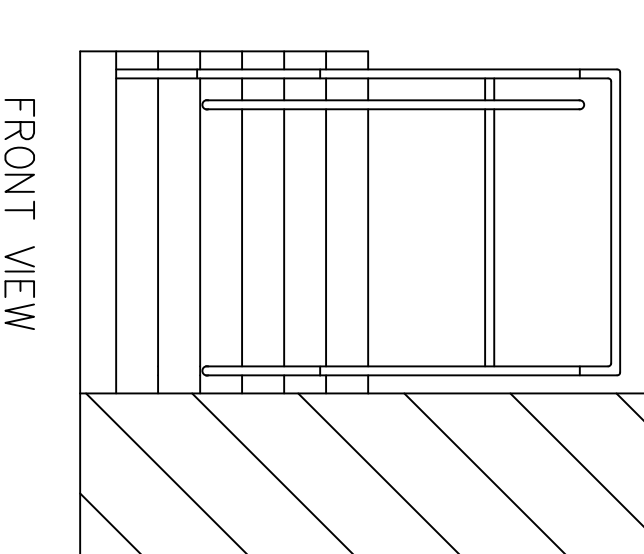
STAIR RAILS & GUARD DETAILS



NOTE: CHECK GRADES  
 BEFORE SETTING STAIRS.



LOADING DOCK STAIRS



GENERATOR & HVAC UNIT PAD

EXTERIOR CONCRETE TO HAVE MINIMUM  
 COMPRESSIVE STRENGTH OF 4,000 PSI 2  
 TWENTY-EIGHT (28) DAYS.  
 RIGID INSULATION IS OPTIONAL.  
 REFER TO CONTRACT

DATE	REVISION	DRAWING STATUS	EST. NO	JOB NO.
6/15/16	Conc. Pad & Stair detail additions			16-1003

EST. NO	421	JOB NO.	16-1003
TYPE	RAIP	ENGINEERING	DWG. NO.
DRAWN BY	DS	TITLE	MS-1
REVIEWED BY	AS NOTED		
SCALE	AS NOTED		
DATE	05/12/2016		
		DESIGN BUILDER	

EST. NO	421
TYPE	RAIP
DRAWN BY	DS
REVIEWED BY	AS NOTED
SCALE	AS NOTED
DATE	05/12/2016

Sherdan  
No. 3107  
LICENSED PROFESSIONAL ENGINEER

06-15-2016

Sherdan  
FAIRFIELD  
PORTLAND  
MAINE