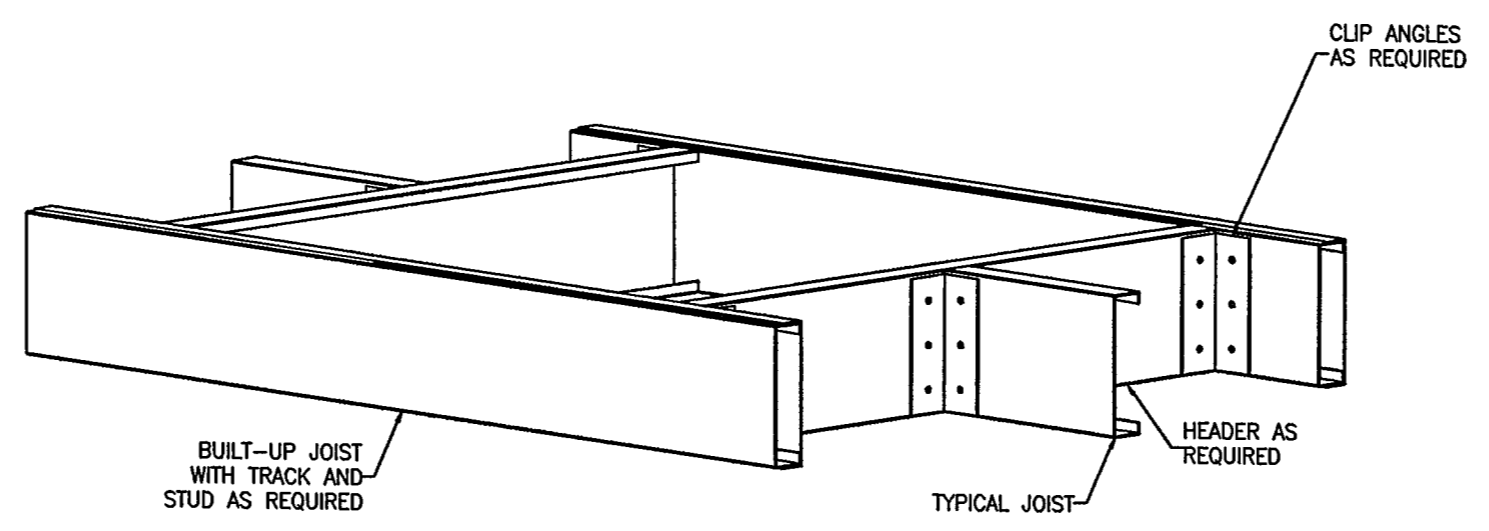
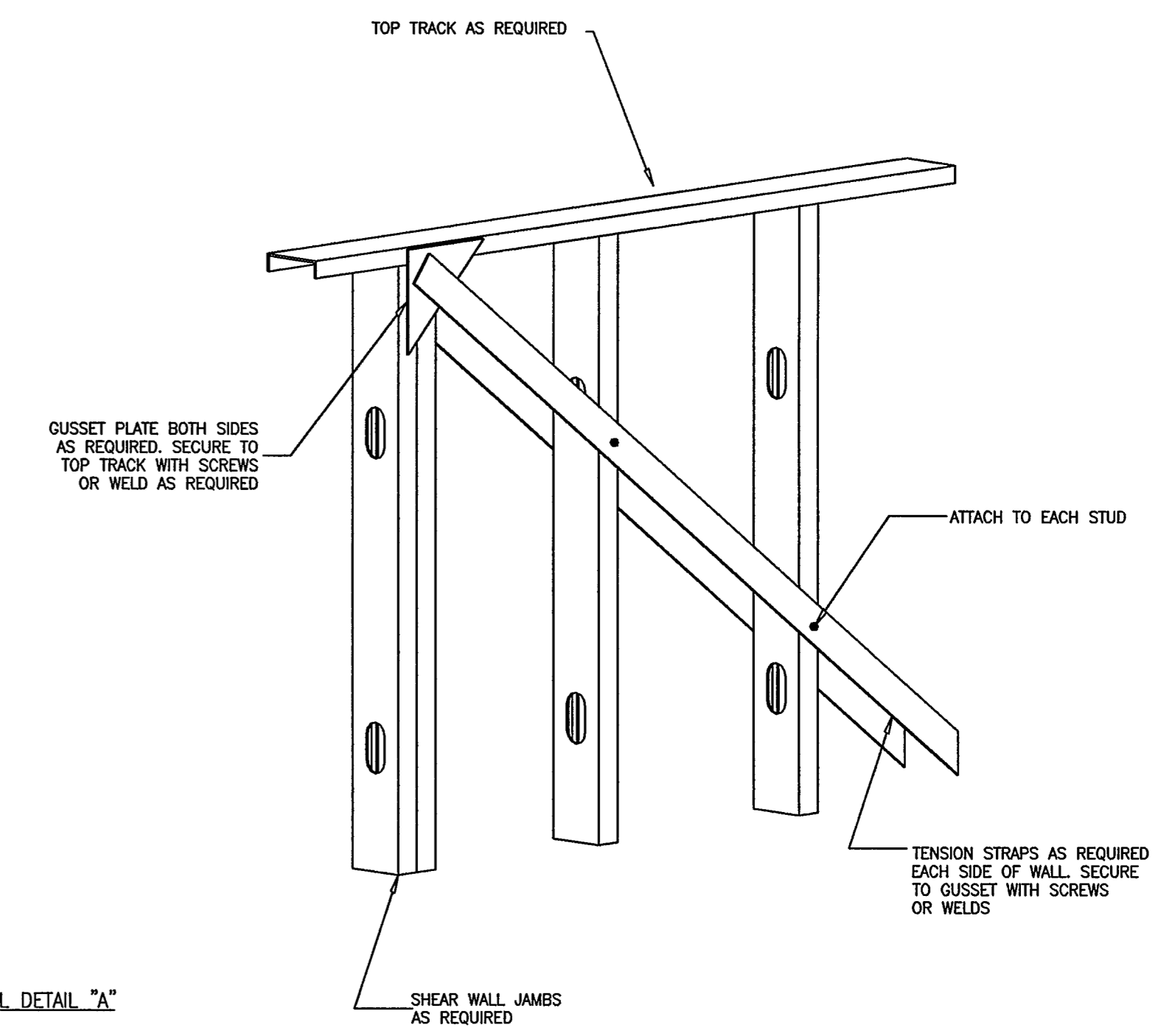


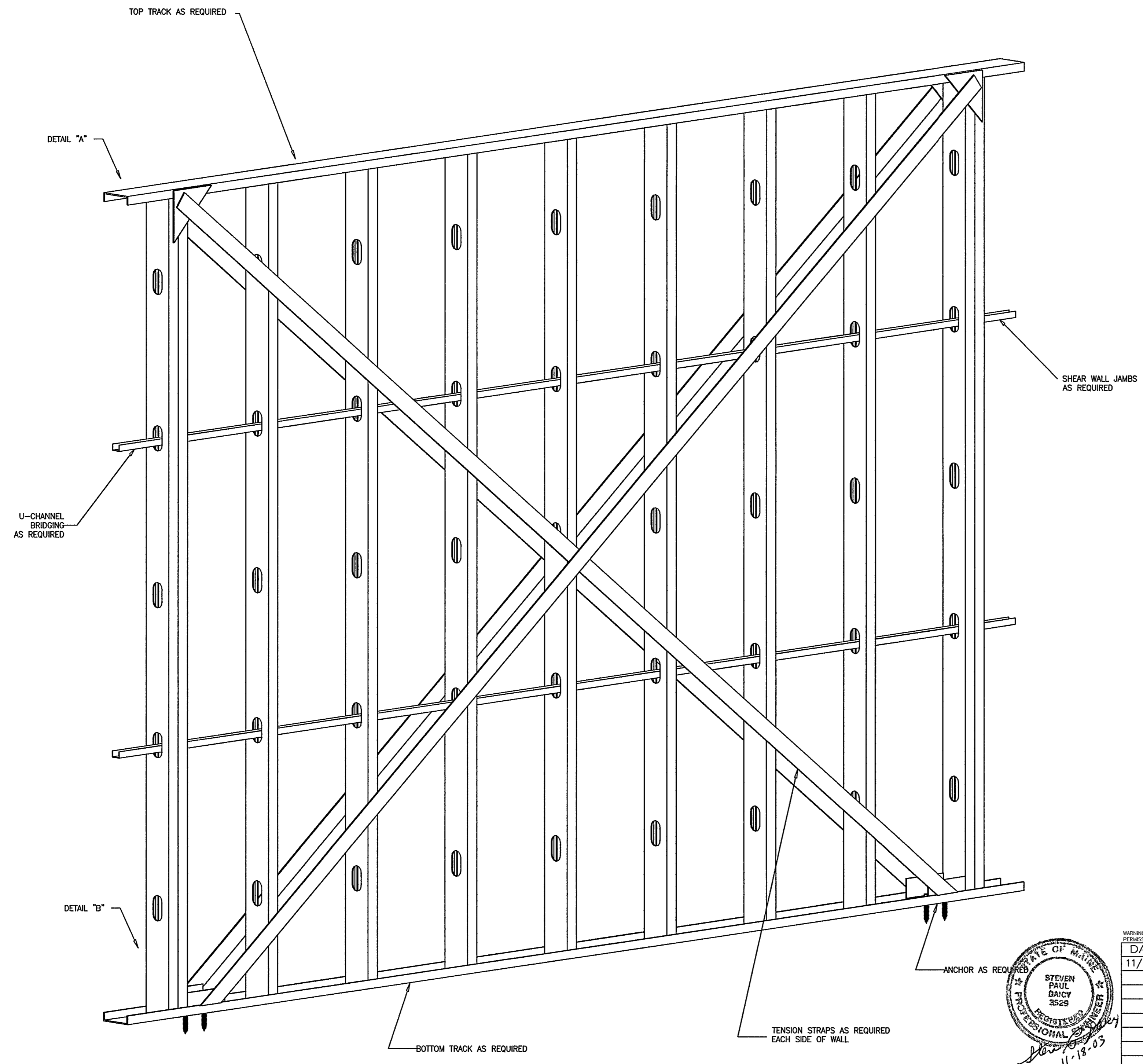
D.27 ANCHOR UPLIFT DETAIL



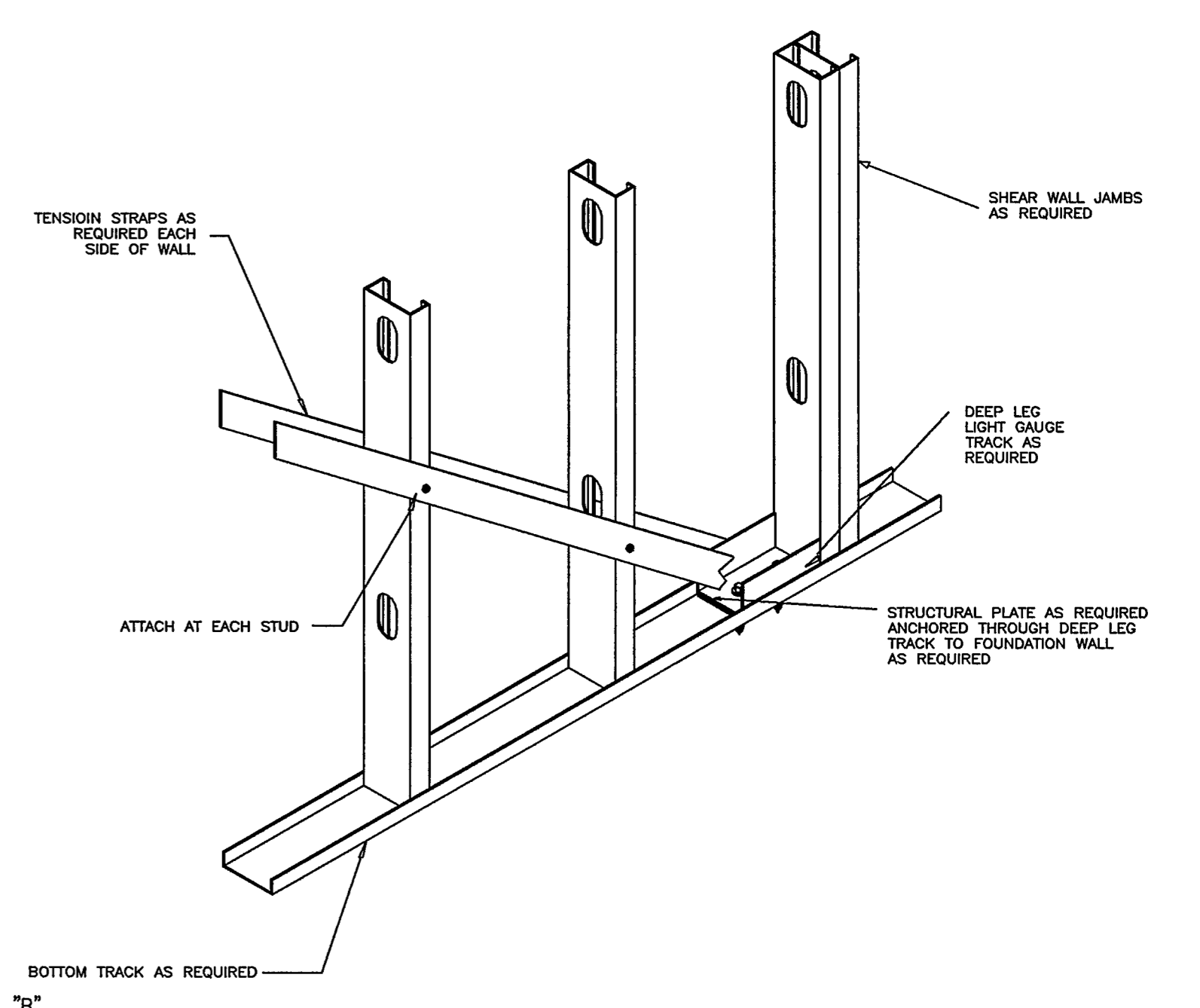
D.28 OPENING IN FLOOR OR ROOF



D.29 X-BRACING WALL DETAIL "A"

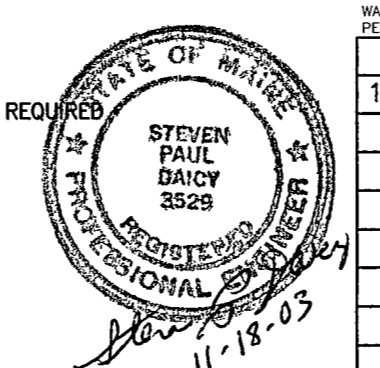


D.29 X-BRACING WALL SECTION



D.29 X-BRACING WALL DETAIL "B"

- GENERAL NOTES ON LIGHT GAGE STUD CONSTRUCTION**
- 1.) ALL LIGHT GAGE STUDS OR JOISTS THAT RESIST WIND OR GRAVITY LOADS ARE TO BE DESIGNED BY A PROFESSIONAL ENGINEER AND SUBMITTED FOR REVIEW.
 - 2.) ALL STUDS, JOISTS, HEADERS, SILLS, JAMBS AND THEIR CONNECTIONS MUST BE DESIGNED AND SIZED TO MEET THE APPLICABLE BUILDING DESIGN CODE.
 - 3.) ALL FRAMING COMPONENTS SHALL BE CUT SQUARELY FOR ATTACHMENT TO PERPENDICULAR MEMBERS OR AS REQUIRED FOR ANGULAR FIT. MEMBERS SHALL BE PLUMB, LEVEL AND HELD POSITIVELY IN POSITION FOR PROPER FASTENING. UNLESS NOTED OTHERWISE, USE #10-16 DRYWALL SCREWS FOR ALL CONNECTIONS. BOTTOM TRACK TO BE FASTENED TO FLOOR AT 16" ON CENTER WITH 1/4S POWER DRIVEN FASTENERS INTO CONCRETE OR HEAVY STEEL AND #10-16 DRYWALL SCREWS INTO PLYWOOD DECK OR LIGHT GAGE METAL DECKING, TRACK, JOIST ETC.
 - 4.) ALL FIELD CUTTING OF STUDS MUST BE DONE BY SAWING, SHEARING OR PLASMA CUTTING. TORCH CUTTING OF COLD-FORMED MEMBERS IS NOT ALLOWED.
 - 5.) NO SPLICES IN STUDS, JOISTS OR OTHER LOAD CARRYING MEMBERS MAY BE MADE WITHOUT PRIOR ENGINEERING REVIEW AND SPECIFIC DETAILS FOR SPLICING.
 - 6.) ALL HEADER PIECES SHALL BE UNPUNCHED THROUGH THE STUD WEB.
 - 7.) ALL JAMBS, UNLESS NOTED OTHERWISE, SHALL BE MULTIPLE PIECES MADE UP OF THE SAME NUMBER OF STUDS AS ARE MISSING IN HALF THE WIDTH OF THE FRAMED OPENING.
 - 8.) ALL JAMB, SILL AND HEADERS MADE UP OF MULTIPLE PIECES SHALL BE STITCHED TOGETHER AT 24 INCHES ON CENTER AT ALL CONTACT POINTS.
 - 9.) ANY WELDING SHALL BE COVERED WITH ZINC RICH PAINT BY THE DRYWALL CONTRACTOR.
 - 10.) ALL EXTERIOR STUDS WITHIN 10 FEET OF THE BUILDING'S CORNERS SHALL BE SPACED AT 75% OF THE REGULAR WALL STUD SPACING. THIS CLOSER SPACING IS REQUIRED FOR THE INCREASED WIND CONDITION. FOR 24 INCH USE 18 INCH, FOR 16 INCH USE 12 INCH, AND FOR 12 INCH USE 9 INCH CORNER SPACING.
 - 11.) MINIMUM SCREW SPACING AND EDGE DISTANCE SHALL BE 1/2 INCH. THE MINIMUM POWER DRIVEN FASTENER SPACING SHALL BE 1-1/2 INCHES IN STEEL (4 INCHES IN CONCRETE). THE MINIMUM POWER DRIVEN FASTENER EDGE DISTANCE SHALL BE 1/2 INCH IN STEEL (3 INCHES IN CONCRETE).
 - 12.) USE DEFLECTION (SLIP) TRACK CONSTRUCTION DETAILS FOR ALL EXTERIOR AND INTERIOR WALLS THAT DIRECTLY ATTACH OR OTHERWISE CONTACT ROOF AND, OR, FLOOR MEMBERS. ALLOW FOR A MINIMUM OF 3/4 INCH DEFLECTION FOR UP TO A 15 FOOT SPAN. INCREASE DEFLECTION ALLOWANCE 1/16 INCH FOR EVERY ADDITIONAL FOOT OF SPAN. REMOVE ALL TEMPORARY SCREWS IN THE CAP TRACK. THERE ARE TO BE NO SCREWS LEFT IN THE CAP TRACK THAT ATTACH TO THE STUD OR GYPSUM. THE CAP TRACK AND STRUCTURAL BEAM, JOIST OR PURLIN MEMBER ARE TO BE ABLE TO DEFLECT WITHOUT HARMING OR INTERFERING WITH THE STUD OR GYPSUM. ALL DEFLECTION TRACKS ARE TO BE OF PROPER THICKNESS TO TAKE ALL LATERAL AND WIND LOADS THAT MAY ACT ON THE STUD AND TRACK.
 - 13.) ALL BEARING WALLS ARE TO HAVE THE WALL STUDS LAID OUT SUCH THAT THEY WILL BE LOCATED DIRECTLY UNDER EACH AND EVERY FLOOR OR ROOF JOIST OR PURLIN. ALL BEARING WALL STUDS SHALL FIT AS TIGHT AS POSSIBLE LENGTH-WISE SUCH THAT MAXIMUM GAP IS 1/16 INCH (QUARTER COIN THICKNESS) AT TOP AND BOTTOM TRACK.
 - 14.) ALL LIGHT GAGE FLOOR OR ROOF JOISTS SHALL BE BLOCKED OVER BEARING ENDS PER SCC DETAIL #20 AND #21. INSTALL INNER SPAN JOIST BRIDGING AT 8'-0" ON CENTER MAXIMUM PER SCC DETAIL #3.
 - 15.) DRYWALL CONTRACTOR IS RESPONSIBLE FOR ANY TEMPORARY BRACING OF LIGHT GAGE STUD WALLS.
 - 16.) FOR BUILDINGS CONSTRUCTED USING EXTERIOR STUD BEARING WALLS (RAATHER THAN STRUCTURAL BEAM AND COLUMNS), ALL INTERIOR WALLS PERPENDICULAR TO EXTERIOR WALLS SHALL HAVE STUD TO STUD ATTACHMENT PER SCC DETAIL #27. THIS MAY REQUIRE EXTRA EXTERIOR STUDS IF REGULAR STUD SPACING DOES NOT POSITION A STUD AT THE INTERSECTION OF INTERIOR WALLS. USE THIS DETAIL WHETHER THE INTERIOR WALL IS LOADBEARING OR NON-LOADBEARING.
 - 17.) ALL INTERIOR NON-BEARING STUDS MAY BE 25 GAGE UNLESS NOTED. USE DOUBLE STUDS STITCHED AT 24 INCHES ON CENTER AT ALL INTERIOR JAMB AND HEADERS OF ALL DOOR, WINDOW AND OTHER OPENINGS.
 - 18.) ALL STUDS SHALL BE DESIGNED FOR MINIMUM L/360 FOR DEFLECTION. FOR BRICK VENEER OR CMU SUPPORT, USE L/600 DEFLECTION CRITERIA.



<p>WARNING: THIS DRAWING IS THE PROPERTY AND INSTRUMENT OF SHERIDAN CORPORATION FOR USE WITH THE PROJECT IDENTIFIED HEREIN. NO MODIFICATIONS OR CHANGES MAY BE MADE TO THIS DRAWING AND NO USE MAY BE MADE OF THIS DRAWING WITHOUT THE EXPRESS PERMISSION OF SHERIDAN CORPORATION. ANY MODIFICATION, CHANGE OR USE OF THIS DRAWING WITHOUT THE EXPRESS WRITTEN PERMISSION OF SHERIDAN CORPORATION IS UNLAWFUL AND IS AT THE USER'S RISK. SHERIDAN DISCLAIMS ANY AND ALL LIABILITY FOR SUCH USE.</p>		<p>Engineering Designs For</p>		<p>JOB NO.</p>
<p>DATE 11/18/03</p>	<p>REVISION ADDED TO NOTES 10, 12 AND 17</p>	<p>EST. NO.</p>	<p>ENGINEERING DWG. NO.</p>	<p>CFM-3</p>
<p>TYPE</p>	<p>DRAWN BY DGF</p>	<p>SCALE NTS</p>	<p>Title COLD FORMED MEMBERS TYPICAL STUD DETAILS SHEET 3 OF 3</p>	
<p>APPROVED BY SPD</p>	<p>DATE 11/12/03</p>	<p>DATE 11-18-03</p>	<p>FAIRFIELD PORTLAND MAINE</p>	
<p>BUTLER DESIGN BUILDER</p>		<p>SHERIDAN CORPORATION</p>		