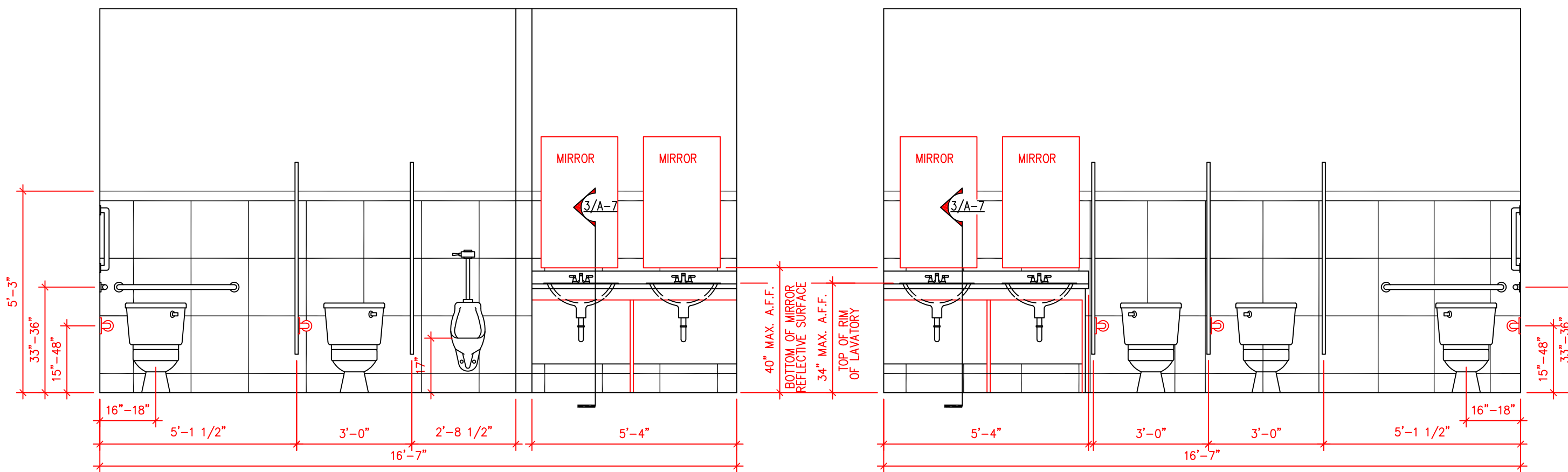
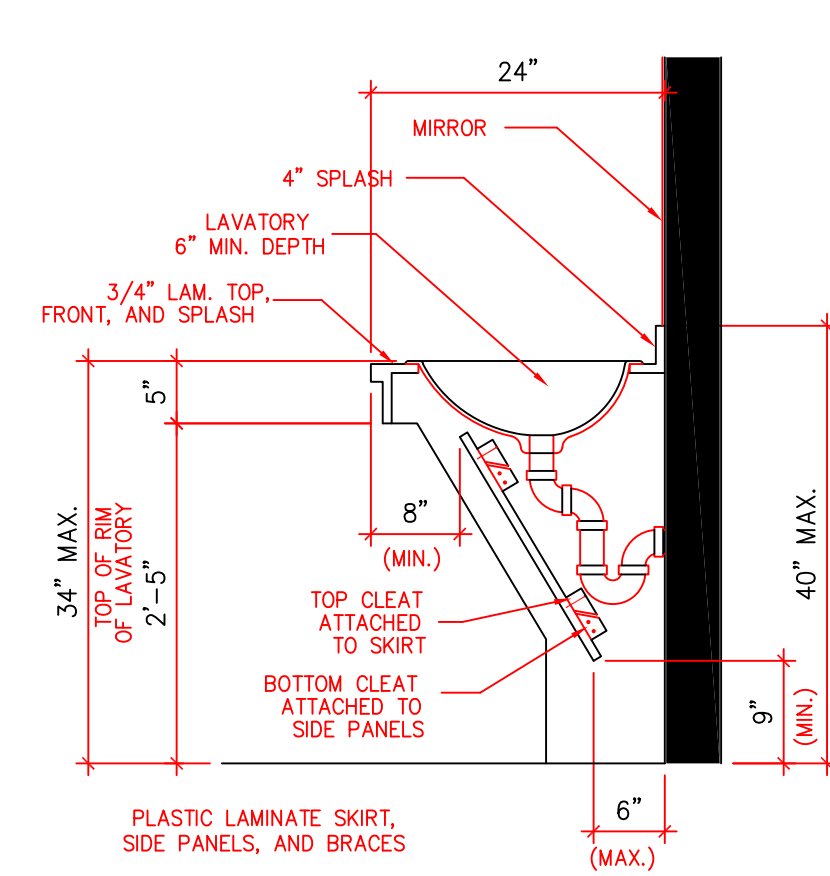
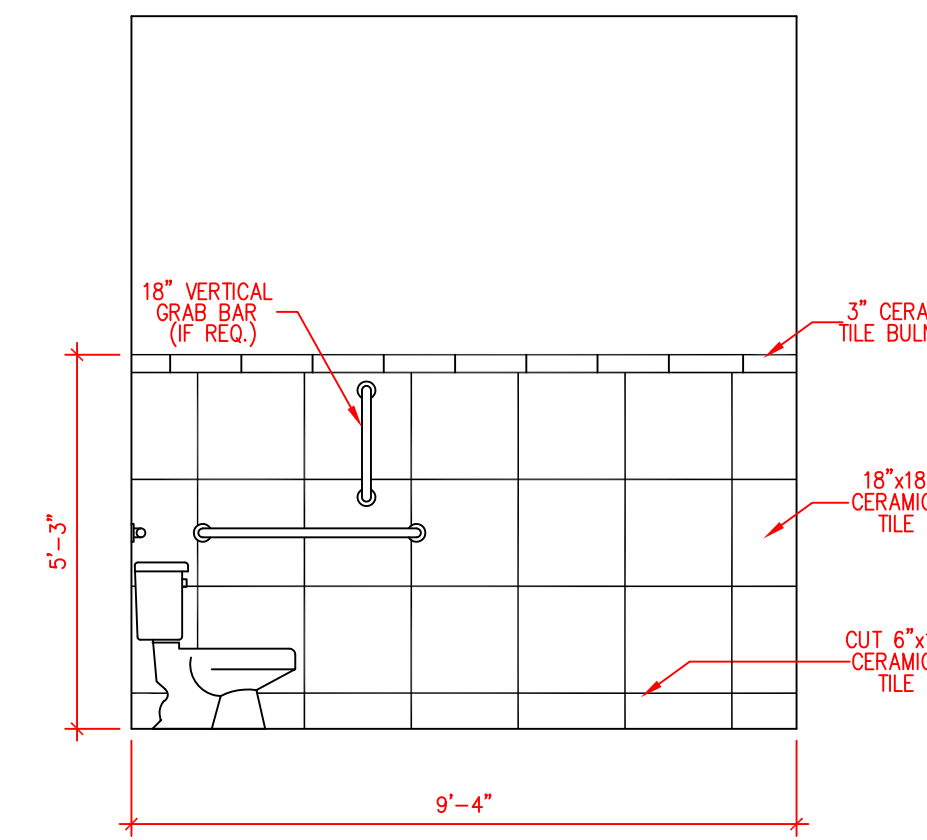


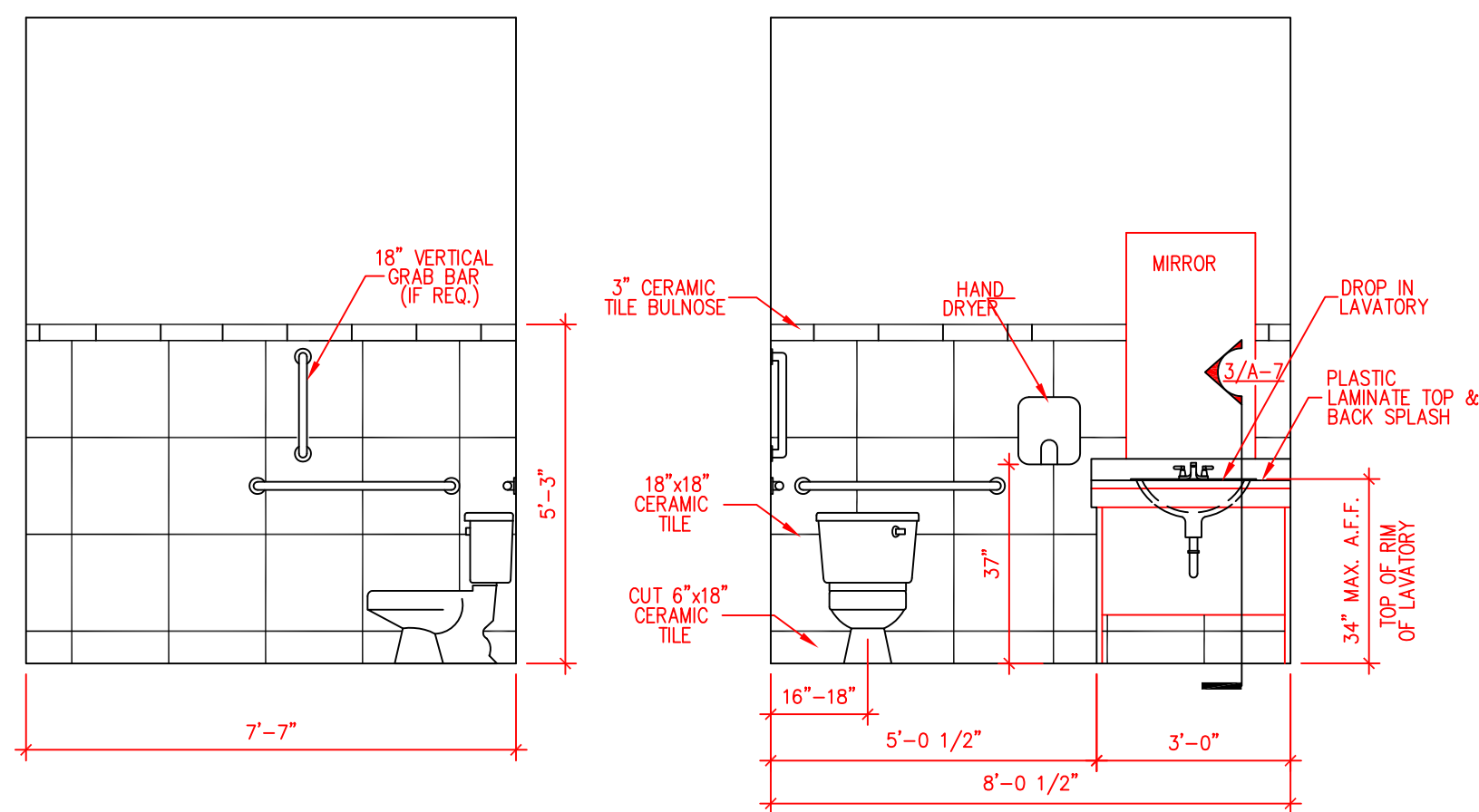
1 Men's Restroom Interior Elevation
SCALE - 3/8" = 1'-0"



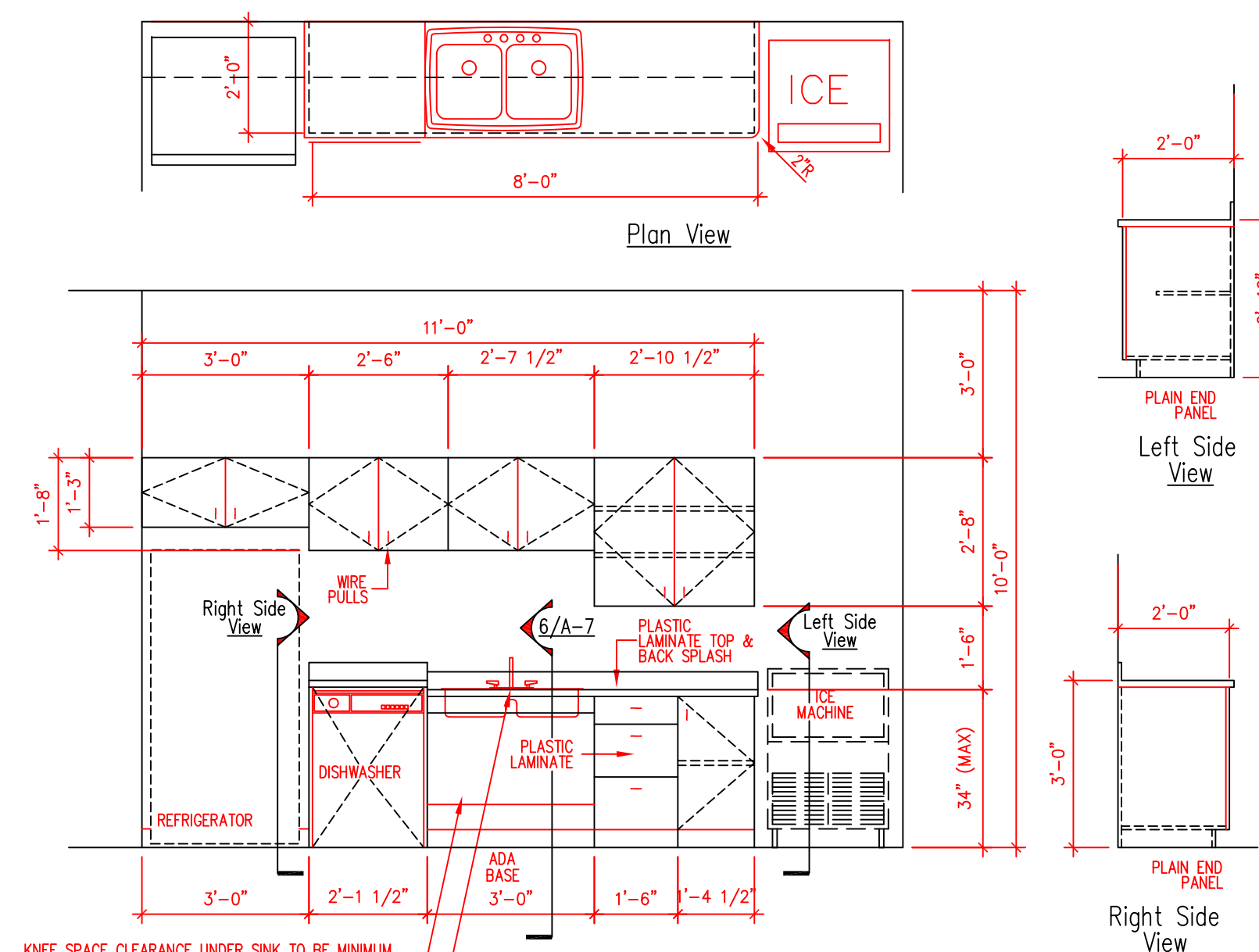
2 Women's Restroom Interior Elevation
SCALE - 3/8" = 1'-0"



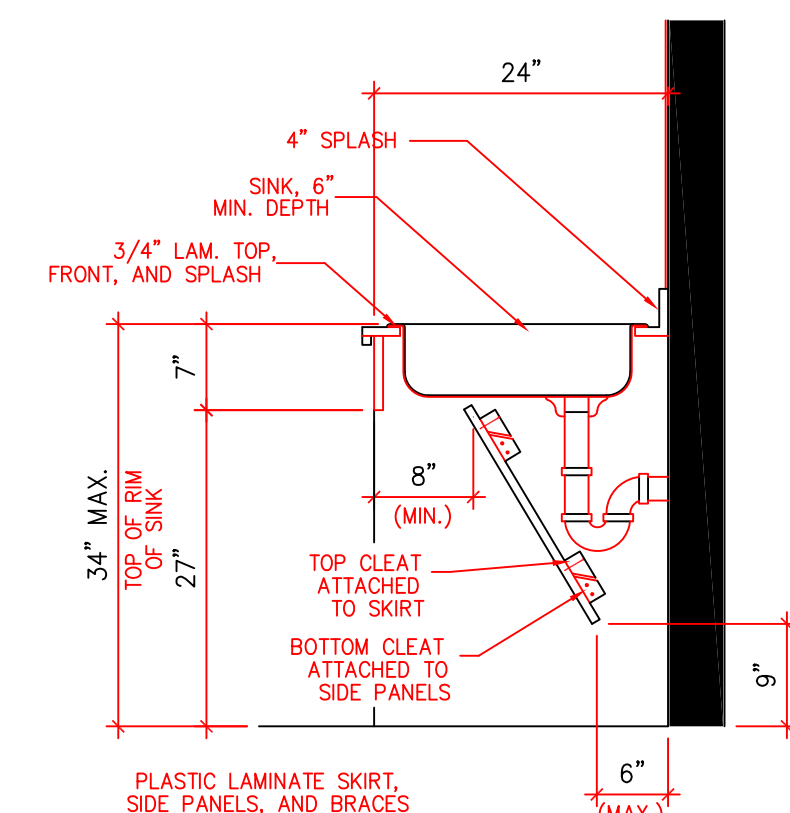
3 Skirt Section @ Lavatory
SCALE - 3/8" = 1'-0"



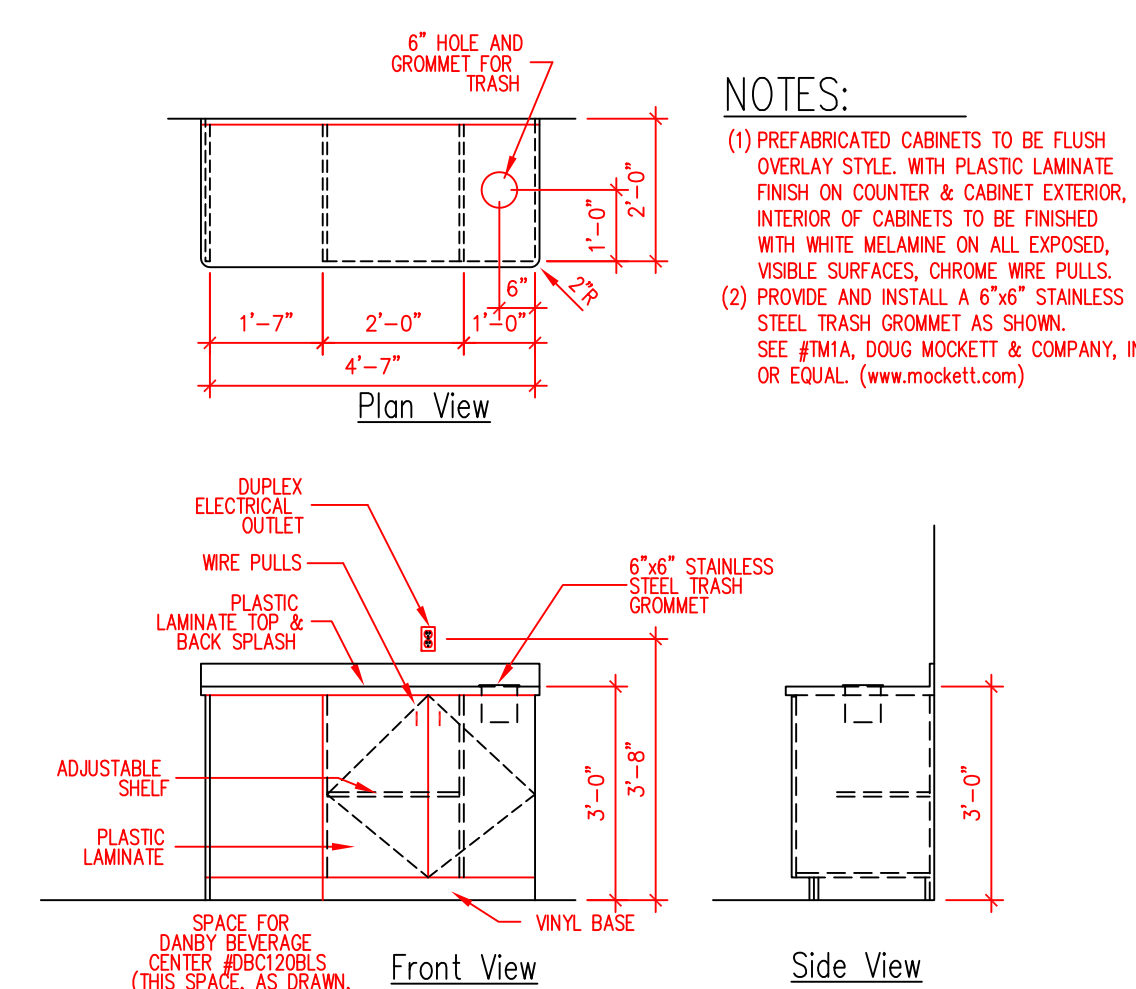
4 Customer Restroom - Interior Elevation
SCALE - 3/8" = 1'-0"



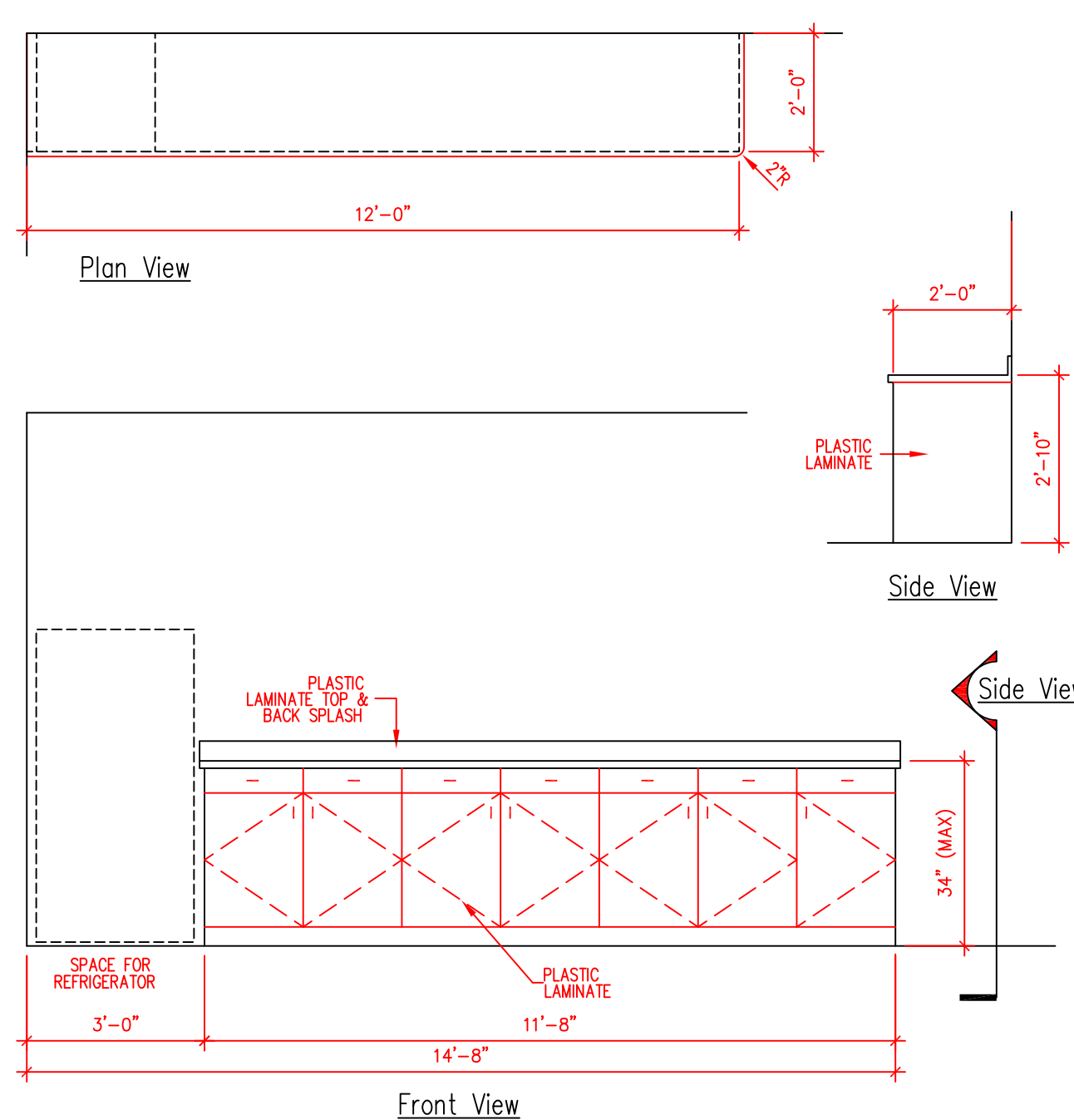
5 Break Room Cabinet Elevation
SCALE - 3/8" = 1'-0"



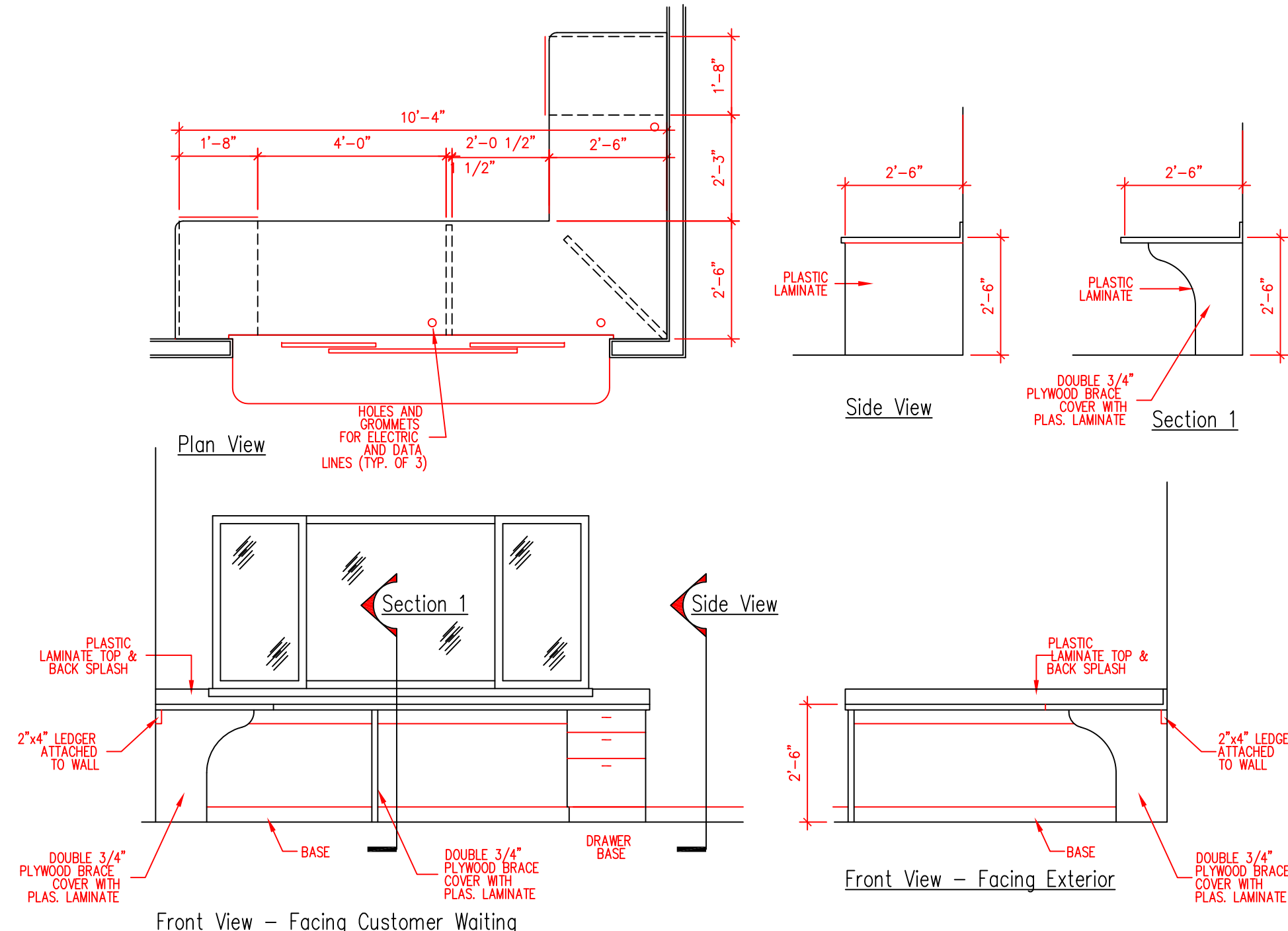
6 Skirt Section @ Sink
SCALE - 3/8" = 1'-0"



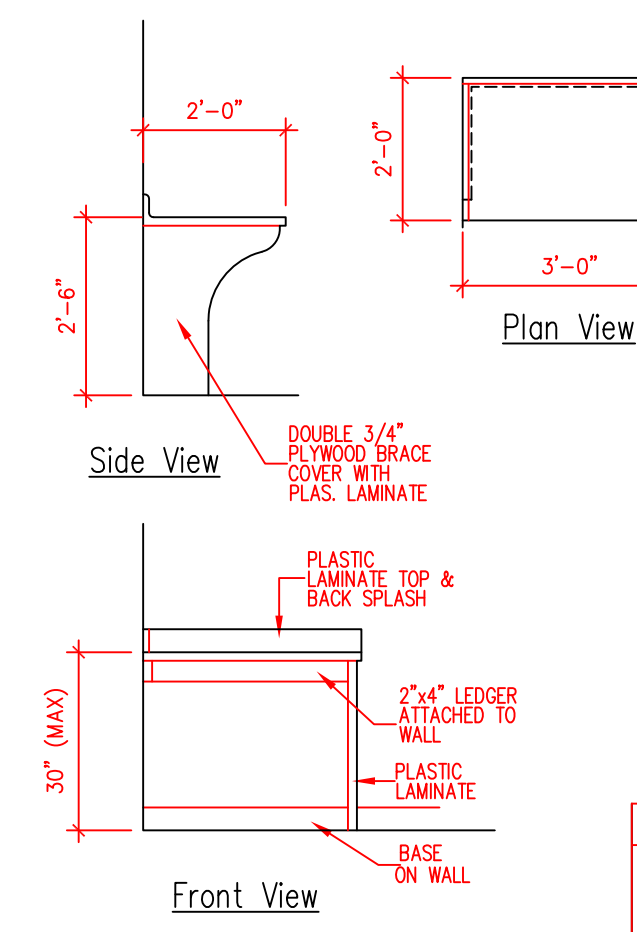
6 Customer Waiting Room - Coffee Bar
SCALE - 3/8" = 1'-0"



8 Cabinet and Counter in Training / Conference
SCALE - 3/8" = 1'-0"



9 CSR Counter
SCALE - 3/8" = 1'-0"



10 Small Counter in Conference Room
SCALE - 3/8" = 1'-0"

NOTES:
 (1) PREFABRICATED CABINETS TO BE FLUSH OVERLAY STYLE, WITH PLASTIC LAMINATE FINISH ON COUNTER & CABINET EXTERIOR, INTERIOR OF CABINETS TO BE FINISHED WITH WHITE MELAMINE ON ALL EXPOSED, VISIBLE SURFACES, CHROME WIRE PULLS.
 (2) PROVIDE AND INSTALL A 6" 6" STAINLESS STEEL TRASH GROMMET AS SHOWN. SEE #TMA, DOUG MCKETT & COMPANY, INC. OR EQUAL. (www.mockett.com)

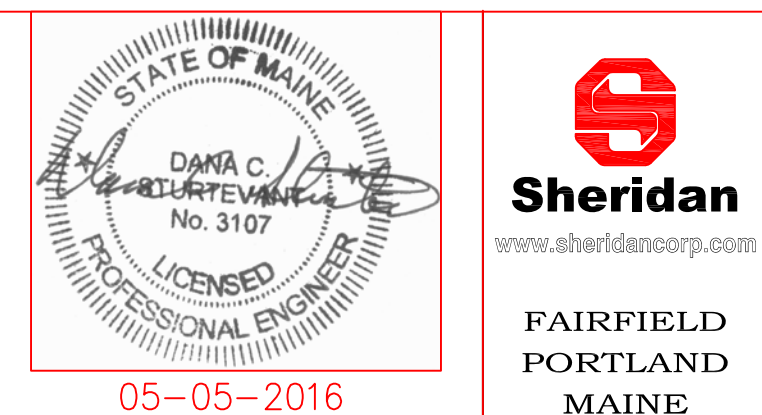
DISCLAIMER:
 Drawings A-0.0, A-1-1, A-1.2, A-2.0, A-3.1, A-3.2, A-4.0, A-5.0, A-6.0, A-7.0 were drawn by Safelite AutoGlass. The original date of these drawings (Rev.) is 03/28/16. The Sheridan Corporation replaced Safelite's title with theirs and all revisions since Rev. 1 are by Sheridan's designers. All revisions/changes by Sheridan are noted in the applicable drawing(s) revision block.

DATE	REVISION
3/21/16	City change
4/22/16	Sheridan title block added
5/5/16	Note added

DRAWING STATUS	EST. NO	ENGINEERING DESIGNS FOR	JOB NO.
		Safelite AutoGlass	16-1003
		421 Warren Avenue	ENGINEERING
		Portland, Maine	DWG. NO.
			A6

DATE	REVISION
04/22/2016	AS NOTED

DESIGN BUILDER
Millwork, Elevations & Details



FAIRFIELD
PORTLAND
MAINE