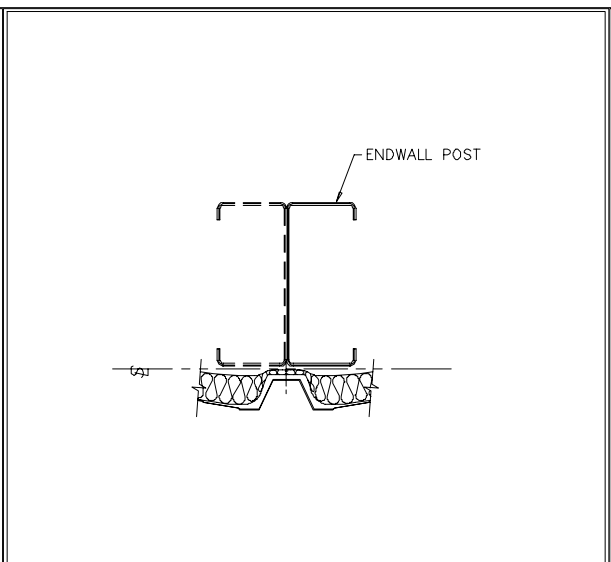
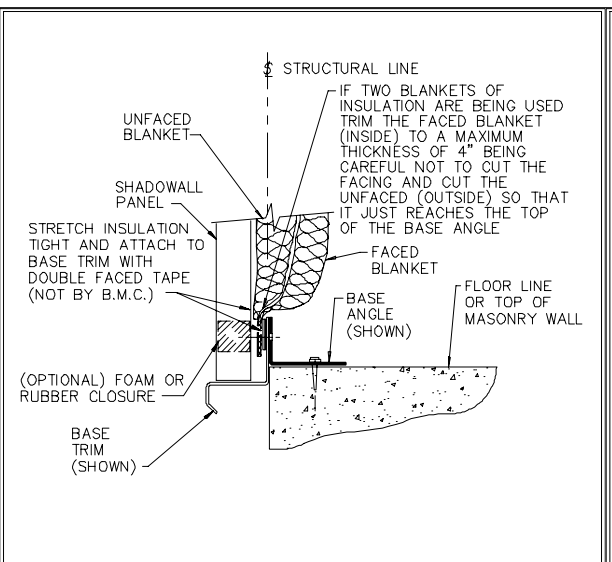


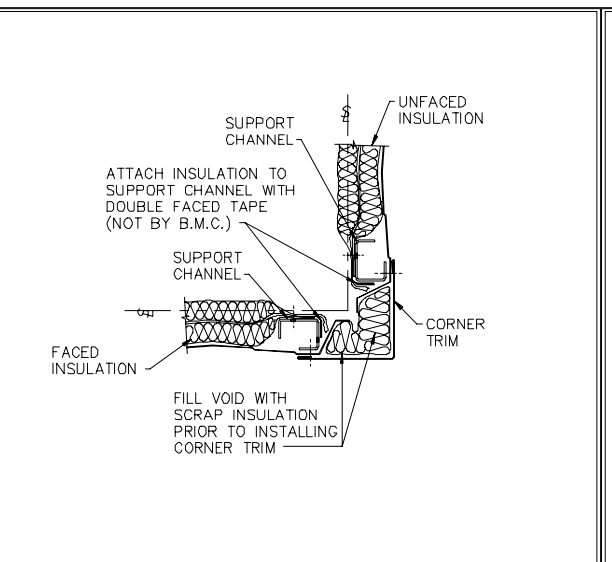
REV. DATE:06/05/13 REV. NO. 02 NV125 0"-4" INSULATION AT OVERHEAD DOOR HEADER SHADOWALL WALL PANEL



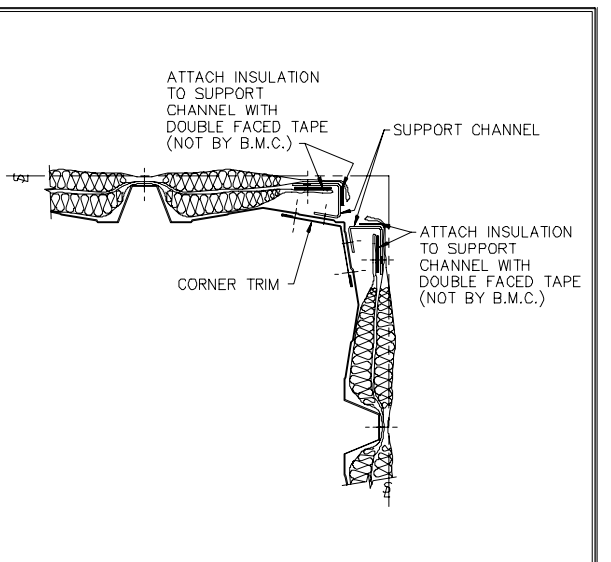
REV. DATE:06/06/13 REV. NO. 02 NV128 0"-4" INSUL. AT EW POST ON STRUCT. LINE SHADOWALL WALL PANEL - WIDESPAN



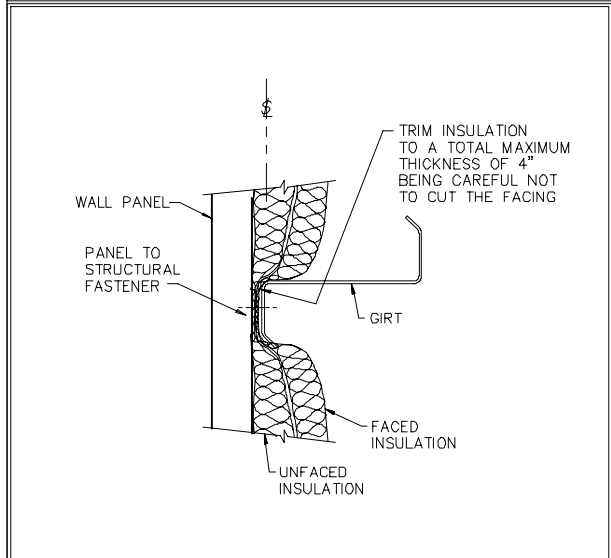
REV. DATE:06/06/13 REV. NO. 02 NV130 4 1/2"-8" INSULATION AT BASE - BASE TRIM SHADOWALL WALL PANEL



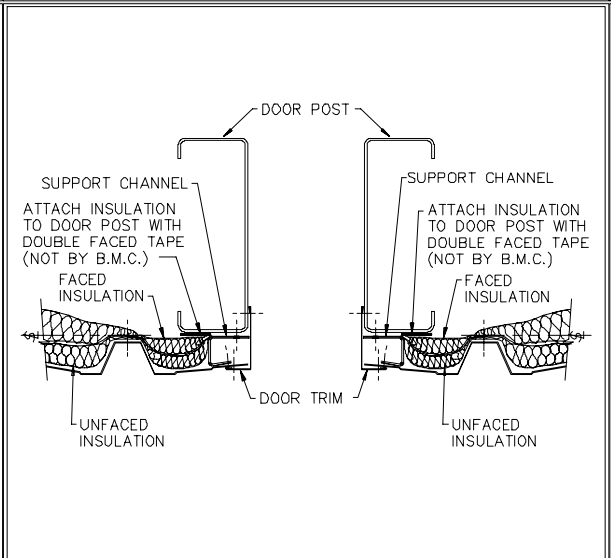
REV. DATE:06/06/13 REV. NO. 02 NV133 4 1/2"-8" INSULATION AT OUTSIDE CORNER SHADOWALL WALL PANEL



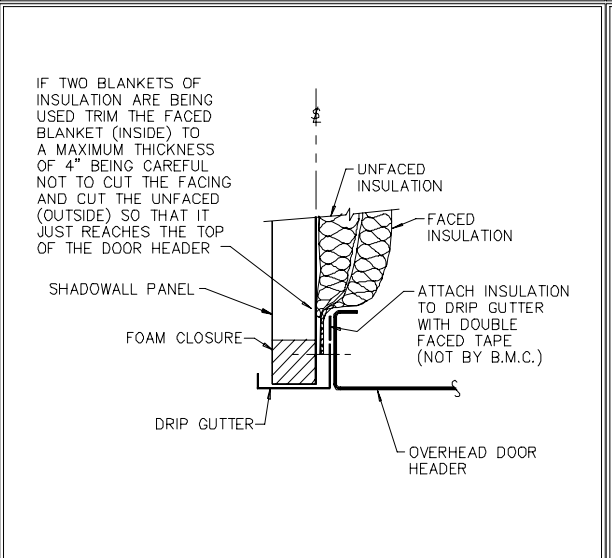
REV. DATE:06/06/13 REV. NO. 02 NV134 4 1/2"-8" INSULATION AT INSIDE CORNER SHADOWALL WALL PANEL



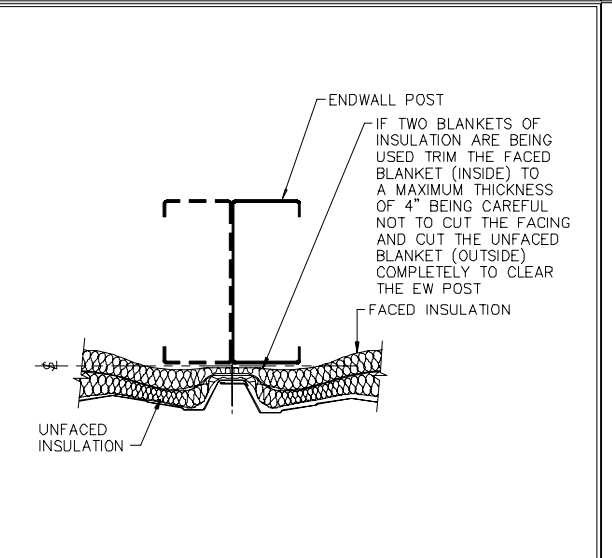
REV. DATE:06/06/13 REV. NO. 02 NV135 4 1/2"-8" INSULATION AT WALL STRUCTURAL SHADOWALL WALL PANEL



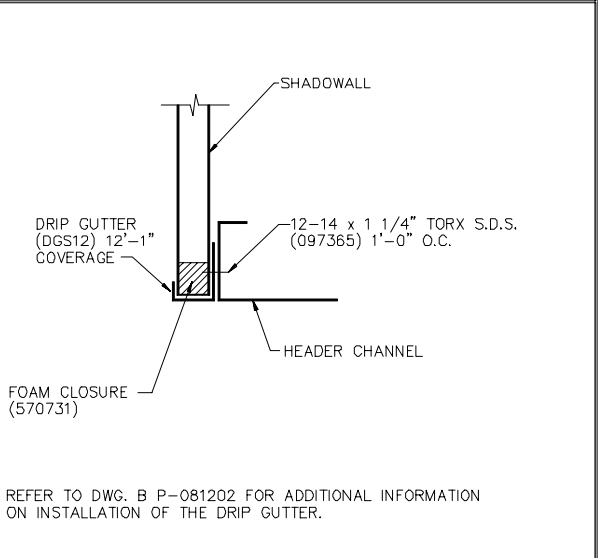
REV. DATE:06/06/13 REV. NO. 02 NV139 4 1/2"-8" INSUL. AT OVERHEAD DOOR POST DOOR OFF PANEL MODULE - SHADOWALL WALL PANEL



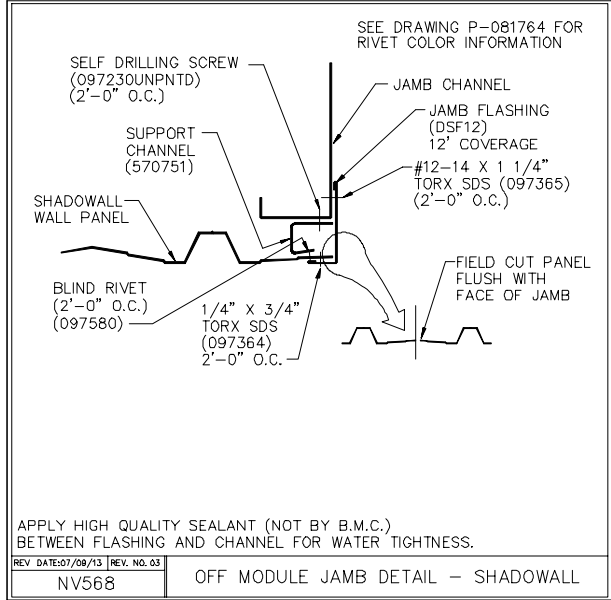
REV. DATE:06/06/13 REV. NO. 02 NV140 4 1/2"-8" INSUL. AT O.H. DOOR HEADER SHADOWALL WALL PANEL



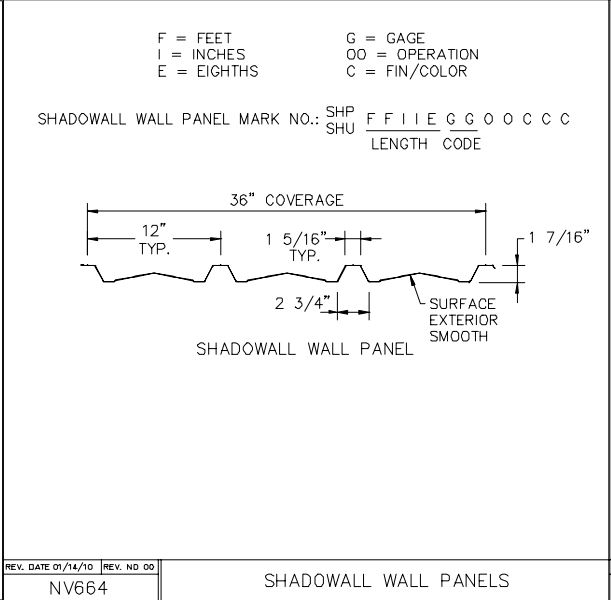
REV. DATE:06/06/13 REV. NO. 02 NV143 4 1/2"-8" INS. AT EW POST ON STRUCT. LINE SHADOWALL WALL PANEL - WIDESPAN



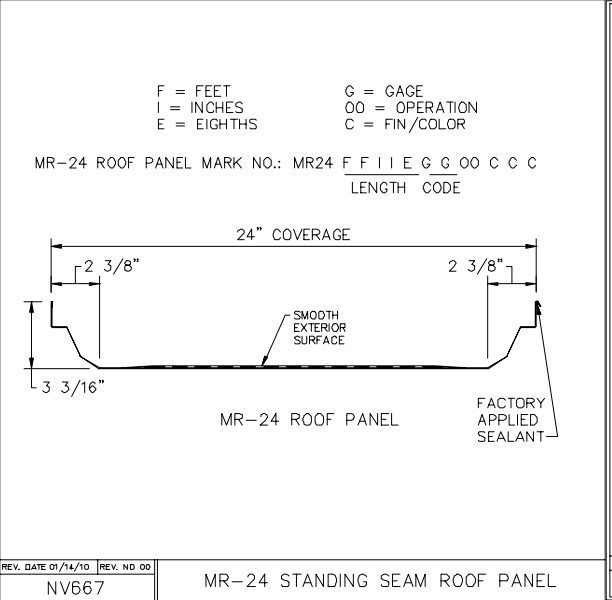
REV. DATE:01/14/10 REV. NO. 00 NV566 HEADER DETAIL - SHADOWALL



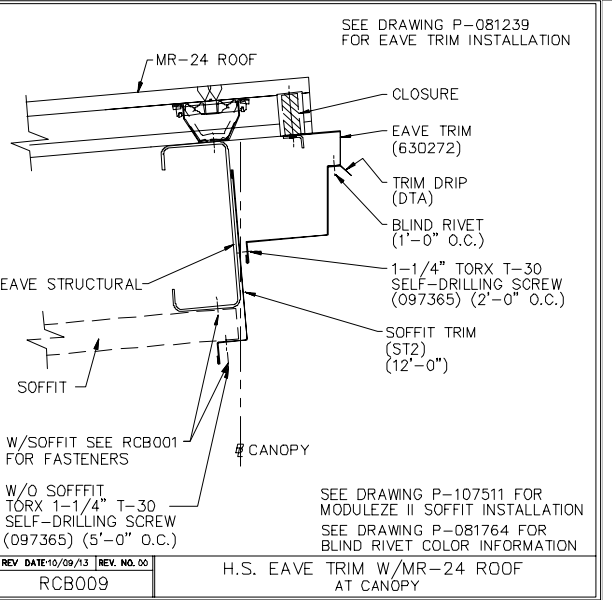
REV. DATE:07/08/13 REV. NO. 03 NV568 OFF MODULE JAMB DETAIL - SHADOWALL



REV. DATE:01/14/10 REV. NO. 00 NV664 SHADOWALL WALL PANELS



REV. DATE:01/14/10 REV. NO. 00 NV667 MR-24 STANDING SEAM ROOF PANEL



REV. DATE:10/09/13 REV. NO. 00 RCB009 H.S. EAVE TRIM W/MR-24 ROOF AT CANOPY

PERMIT SET- For Building Dept. Approval

THE BUTLER MFG. ENGINEER'S SEAL APPLIES ONLY TO THE WORK PRODUCT OF BUTLER MFG. AND DESIGN AND PERFORMANCE REQUIREMENTS SPECIFIED BY BUTLER. THE BUTLER MFG. ENGINEER'S SEAL DOES NOT APPLY TO THE PERFORMANCE OR DESIGN OF ANY OTHER PRODUCT OR COMPONENT FURNISHED BY BUTLER EXCEPT TO ANY DESIGN OR PERFORMANCE REQUIREMENTS SPECIFIED BY BUTLER.

THIS DRAWING, INCLUDING THE INFORMATION HEREON, REMAINS THE PROPERTY OF BUTLER MFG. IT IS PROVIDED SOLELY FOR ERECTING THE BUILDING DESCRIBED IN THE APPLICABLE PURCHASE ORDER AND SHALL NOT BE MODIFIED, REPRODUCED OR USED FOR ANY OTHER PURPOSE WITHOUT PRIOR WRITTEN APPROVAL OF BUTLER MFG.

THE GENERAL CONTRACTOR AND/OR ERECTOR IS SOLELY RESPONSIBLE FOR ACCURATE GOOD QUALITY WORKMANSHIP IN ERECTING THIS BUILDING IN ACCORDANCE WITH THIS DRAWING, DETAILS REFERENCED IN THIS DRAWING, ALL APPLICABLE BUTLER MFG. ERECTION GUIDES, AND INDUSTRY STANDARDS PERTAINING TO PROPER ERECTION, INCLUDING THE CORRECT USE OF TEMPORARY BRACING.

BUTLER MANUFACTURING 1540 GENESSEE ST. KANSAS CITY, MO 64102			
REV.	DATE:	BY:	DESCRIPTION:
DRAWING SCALE: NTS			

COVERING & TRIM SED'S	
BUILDER:	Sheridan
CUSTOMER:	Safelite
LOCATION:	Portland, Maine
PROJECT:	Safelite Auto
BUILDER'S PO#:	161003
VPC VERSION: 2015.2d	
JOB #:	16-008746-01
DATE:	4/29/2016
DRAWN/CHECK:	LC
PAGE:	26