

F = FEET G = GAGE
 I = INCHES O = OPERATION
 E = EIGHTHS C = FIN/COLOR

PANEL/COVERING
 W 1 3 1 1 7 2 6 1 K T D
 * F F I I E G G O C C C
 LENGTH CODE

INSULATION
 I B 1 3 0 1 0 3 6 0 3 0 W V
 ** F F F I I I I I I E C C
 LENGTH WIDTH THK CODE

SECONDARY (STANDARD)
 O B Z 1 9 1 1 4 1 7 - - - - -
 * * * F F I I E G G * * * * *

DEPTH LENGTH GAGE ADJUST.CODES
 SHAPE

SECONDARY (SPECIAL)
 O 0 1 0 8 Z 1 9 1 1 4 1 7 - - -
 * * * * * F F I I E G G * * * *

COUNTER DEPTH & LENGTH GAGE ADJUST CODES
 SHAPE

ROD BRACING
 O 3 R S 2 5 1 0
 I E * * F F I I
 DIA LENGTH

RS = THREADS BOTH ENDS
 RT = THREADS ONE END - CLEVIS ONE END
 RU = CLEVIS BOTH ENDS
 RP = THREAD BOTH ENDS - NO HILLSIDES

CM*** = COLUMN (PLATE)
 CGX*** = COLUMN (GAGE)
 WCX*** = COLUMN (HOTROLL)

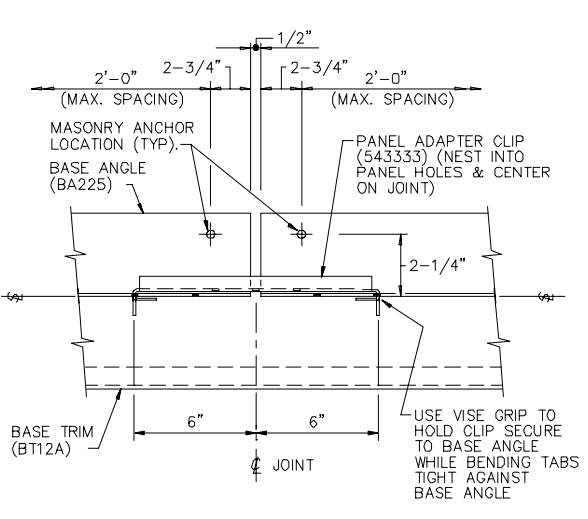
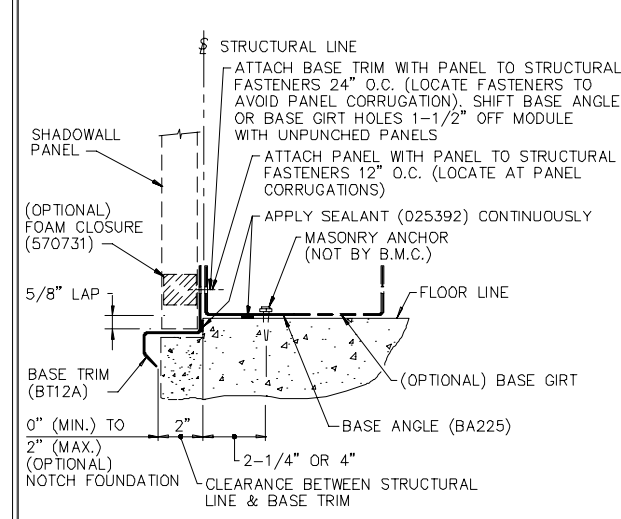
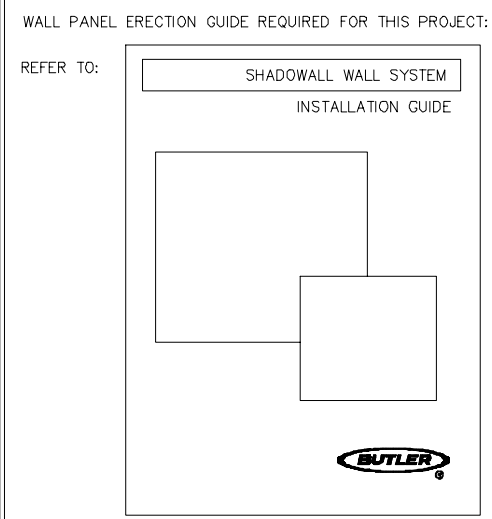
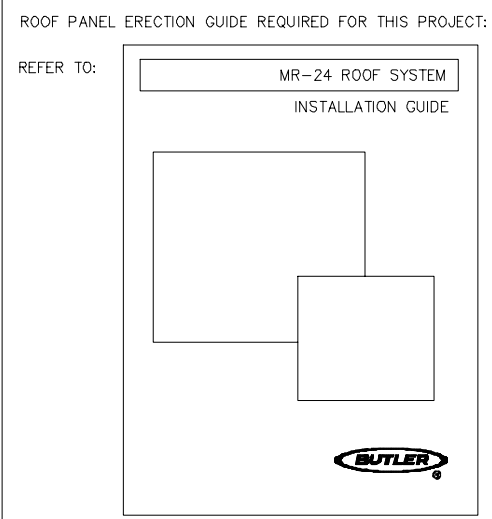
RBX*** = RAFTER (PLATE)
 BGX*** = RAFTER (GAGE)
 WRX*** = RAFTER (HOTROLL)
 TRX*** = TRUSS RAFTER

ICX*** = INTERIOR COLUMN
 PCX*** = PIPE COLUMN
 TCX*** = TUBE COLUMN

EPX*** = ENDPOST (PLATE)
 EGX*** = ENDPOST (GAGE)

CBX*** = CANOPY (PLATE)
 CBX*** = PIGGYBACK CANOPY

DCC*** = 8 1/2" GAGE POST
 DCE*** = 10" GAGE POST



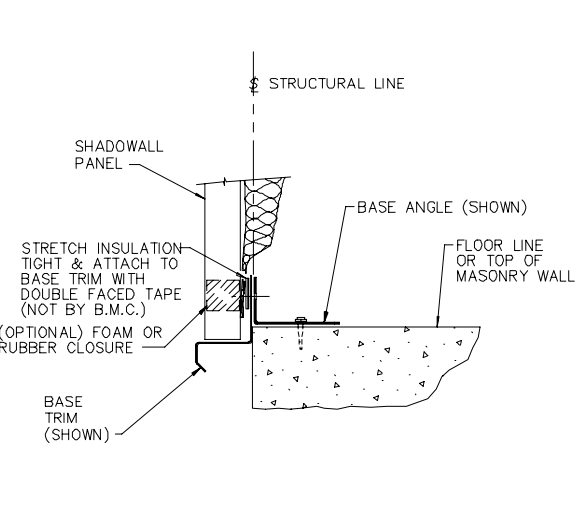
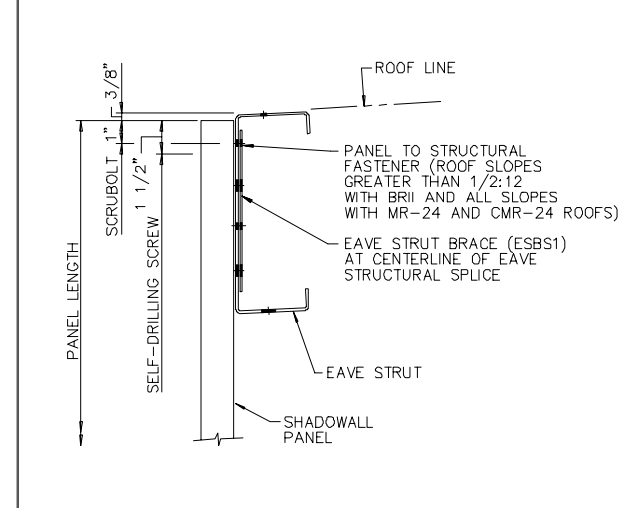
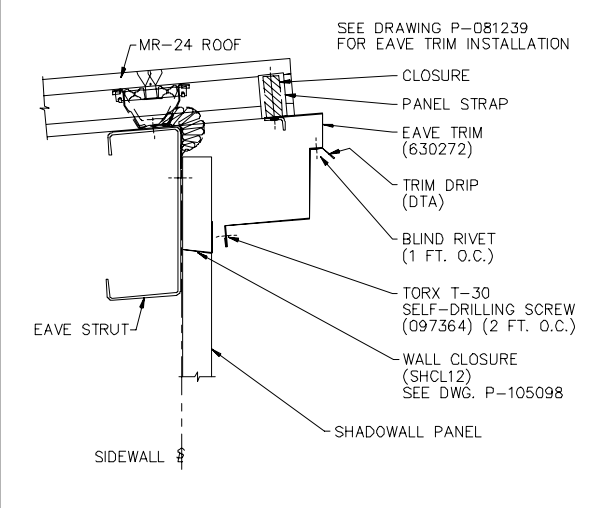
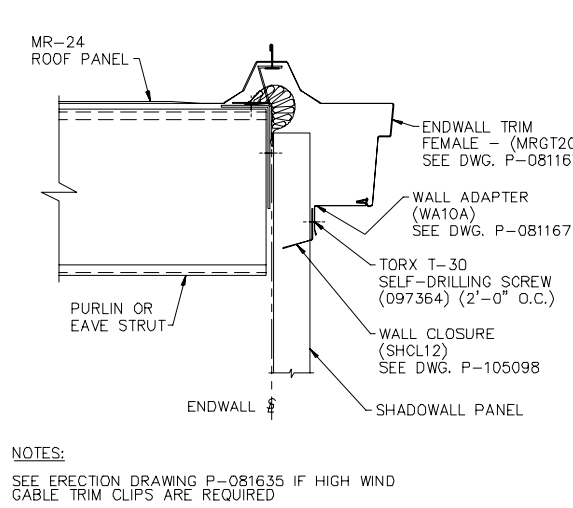
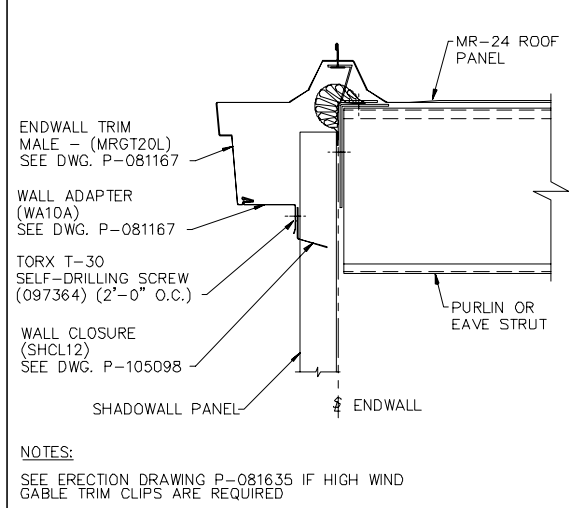
REV. DATE: 08/29/12 REV. NO. 01
 EN50B1 MARK NUMBER KEY
 COMMON GENERATED MARK NUMBERS

REV. DATE: 01/30/14 REV. NO. 00
 ENB004 MR-24 ROOF SYSTEM

REV. DATE: 01/30/14 REV. NO. 00
 ENB006 SHADOWWALL WALL SYSTEM

REV. DATE: 01/14/10 REV. NO. 00
 GV386 SHADOWWALL - BASE TRIM INSTALLATION
 LAPPED & NOTCHED FOUNDATION AT FLOOR LINE

REV. DATE: 01/14/10 REV. NO. 00
 GV442 BASE ANGLE
 JOINT DETAIL - AT FLOOR LINE



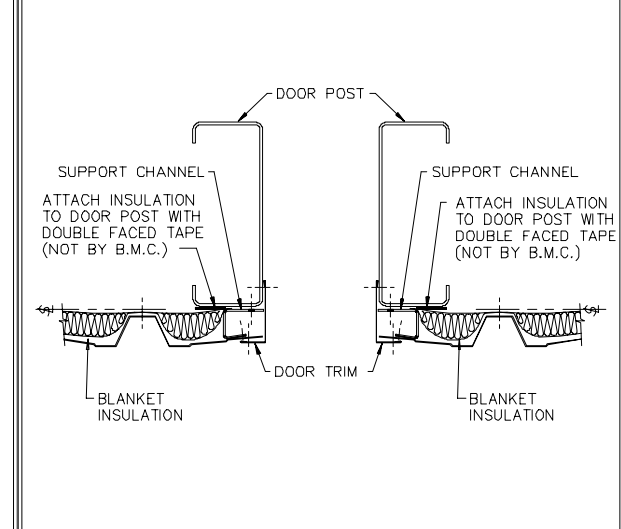
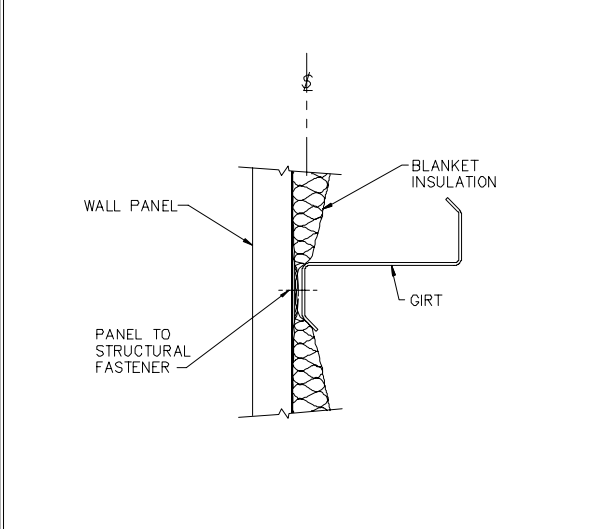
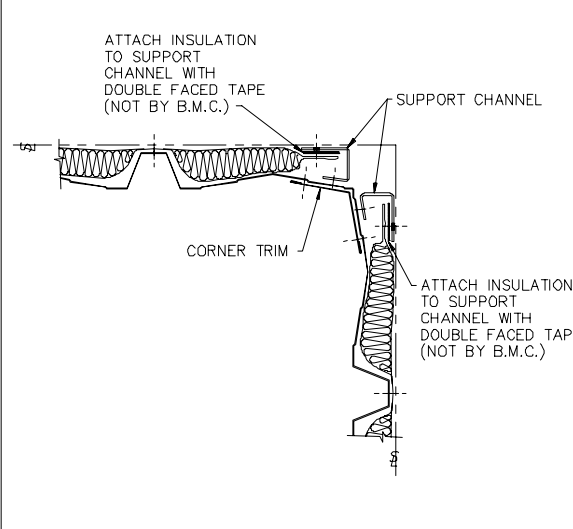
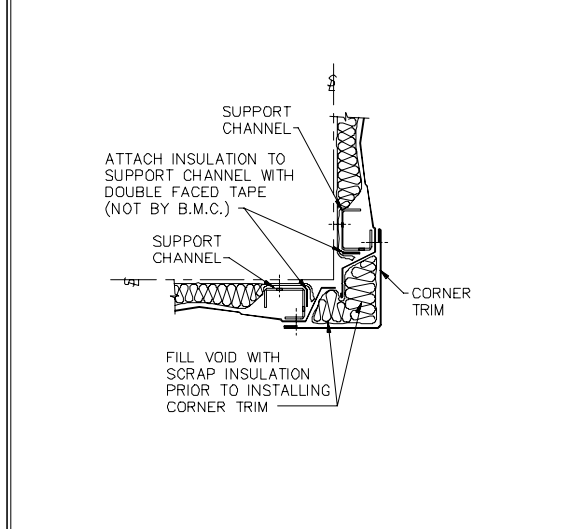
REV. DATE: 01/14/10 REV. NO. 00
 KV403 GABLE TRIM LEFT WITH MR-24 ROOF
 SHADOWWALL WALL PANEL W/CLOSURE

REV. DATE: 01/14/10 REV. NO. 00
 KV404 GABLE TRIM RIGHT WITH MR-24 ROOF
 SHADOWWALL WALL PANEL W/CLOSURE

REV. DATE: 01/21/10 REV. NO. 01
 MV228 H.S. EAVE TRIM W/MR-24 ROOF
 SHADOWWALL WALL PANEL W/WALL CLR

REV. DATE: 01/14/10 REV. NO. 00
 NV110 SIDEWALL PANEL TOP CONNECTION
 AT FRAME EAVE STRUT SPLICE

REV. DATE: 06/05/13 REV. NO. 01
 NV115 0"-4" INSULATION AT BASE - BASE TRIM
 SHADOWWALL WALL PANEL



REV. DATE: 06/05/13 REV. NO. 02
 NV118 0"-4" INSULATION AT OUTSIDE CORNER
 SHADOWWALL WALL PANEL

REV. DATE: 06/05/13 REV. NO. 02
 NV119 0"-4" INSULATION AT INSIDE CORNER
 SHADOWWALL WALL PANEL

REV. DATE: 06/05/13 REV. NO. 02
 NV120 0"-4" INSULATION AT WALL STRUCTURAL
 SHADOWWALL WALL PANEL

REV. DATE: 06/05/13 REV. NO. 02
 NV124 0"-4" INSULATION AT OVERHEAD DOOR POST
 DOOR OFF PANEL MODULE - SHADOWWALL WALL PANEL

PERMIT SET- For Building Dept. Approval

THE BUTLER MFG. ENGINEER'S SEAL APPLIES ONLY TO THE WORK PRODUCT OF BUTLER MFG. AND DESIGN AND PERFORMANCE REQUIREMENTS SPECIFIED BY BUTLER. THE BUTLER MFG. ENGINEER'S SEAL DOES NOT APPLY TO THE PERFORMANCE OR DESIGN OF ANY OTHER PRODUCT OR COMPONENT FURNISHED BY BUTLER EXCEPT TO ANY DESIGN OR PERFORMANCE REQUIREMENTS SPECIFIED BY BUTLER.

THIS DRAWING, INCLUDING THE INFORMATION HEREON, REMAINS THE PROPERTY OF BUTLER MFG. IT IS PROVIDED SOLELY FOR ERECTING THE BUILDING DESCRIBED IN THE APPLICABLE PURCHASE ORDER AND SHALL NOT BE MODIFIED, REPRODUCED OR USED FOR ANY OTHER PURPOSE WITHOUT PRIOR WRITTEN APPROVAL OF BUTLER MFG.

THE GENERAL CONTRACTOR AND/OR ERECTOR IS SOLELY RESPONSIBLE FOR ACCURATE GOOD QUALITY WORKMANSHIP IN ERECTING THIS BUILDING IN ACCORDANCE WITH THIS DRAWING, DETAILS REFERENCED IN THIS DRAWING, ALL APPLICABLE BUTLER MFG. ERECTION GUIDES, AND INDUSTRY STANDARDS PERTAINING TO PROPER ERECTION, INCLUDING THE CORRECT USE OF TEMPORARY BRACING.

BUTLER MANUFACTURING 1540 GENESSEE ST. KANSAS CITY, MO 64102			
REV.	DATE	BY	DESCRIPTION

COVERING & TRIM SED'S		JOB #: 16-008746-01	
BUILDER:	Sheridan	DATE:	4/29/2016
CUSTOMER:	Safelite	DRAWN/CHECK:	LC
LOCATION:	Portland, Maine	PAGE:	25
PROJECT:	Safelite Auto		
BUILDER'S PO#:	161003		

