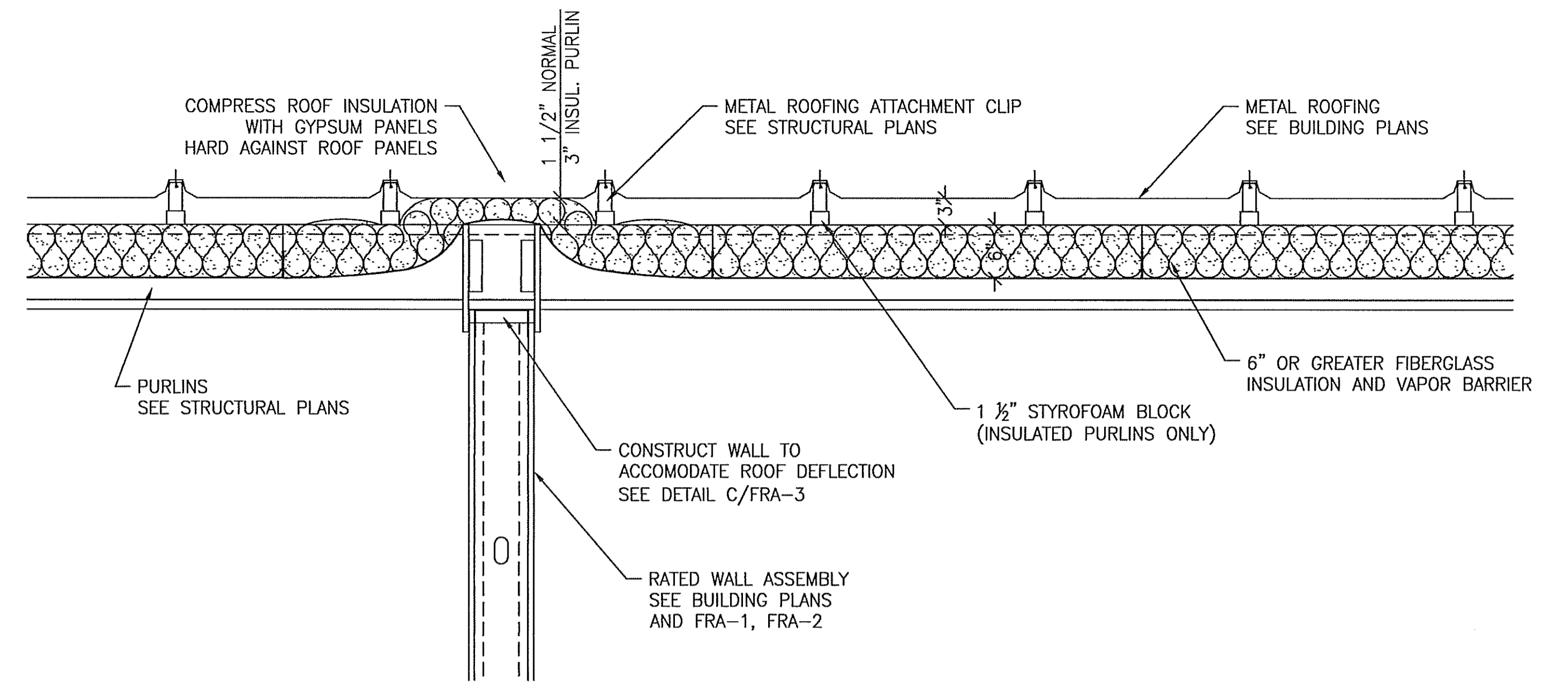
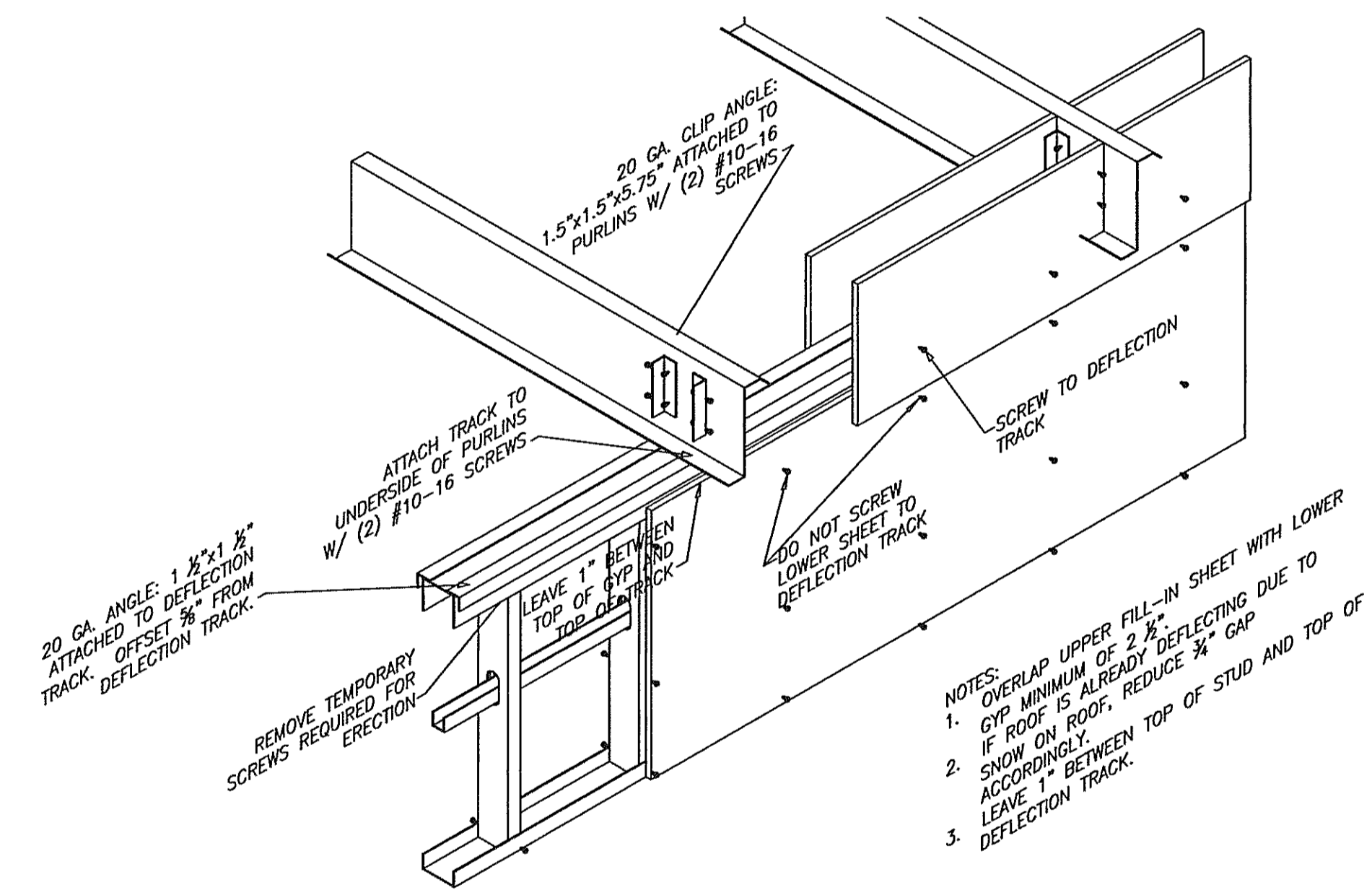


A FIRE SEPARATION WALL (PARALLEL WITH PURLINS)
1' = 1'-0"



B FIRE SEPARATION WALL (PERPENDICULAR TO PURLINS)
1' = 1'-0"



C DEFLECTION WALL (PERPENDICULAR TO PURLINS)
1' = 1'-0"
(SEE CFM DRAWINGS FOR ADDITIONAL INFO)

DATE	REVISION	DRAWING STATUS		ENGINEERING DESIGNS FOR	JOB NO.
		EST. NO.		STANDARD DETAILS FIRE RATED CONSTRUCTION	FRA-3
		SIZE			
		TYPE			
		DRAWN BY DGF	TITLE		
		APPROVED BY SPD			
		SCALE AS NOTED		DESIGN BUILDER	
		DATE 12/02/05			

