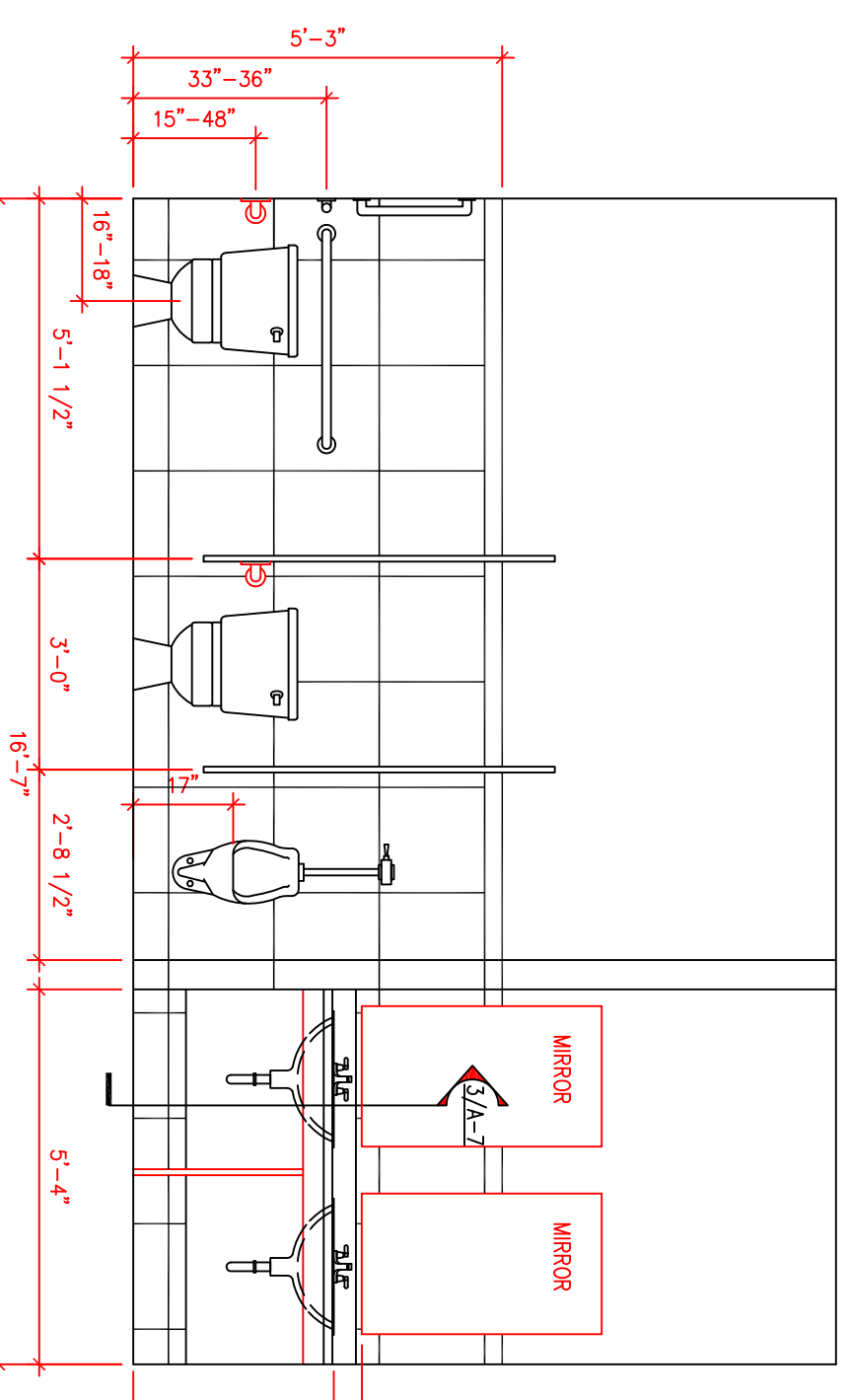
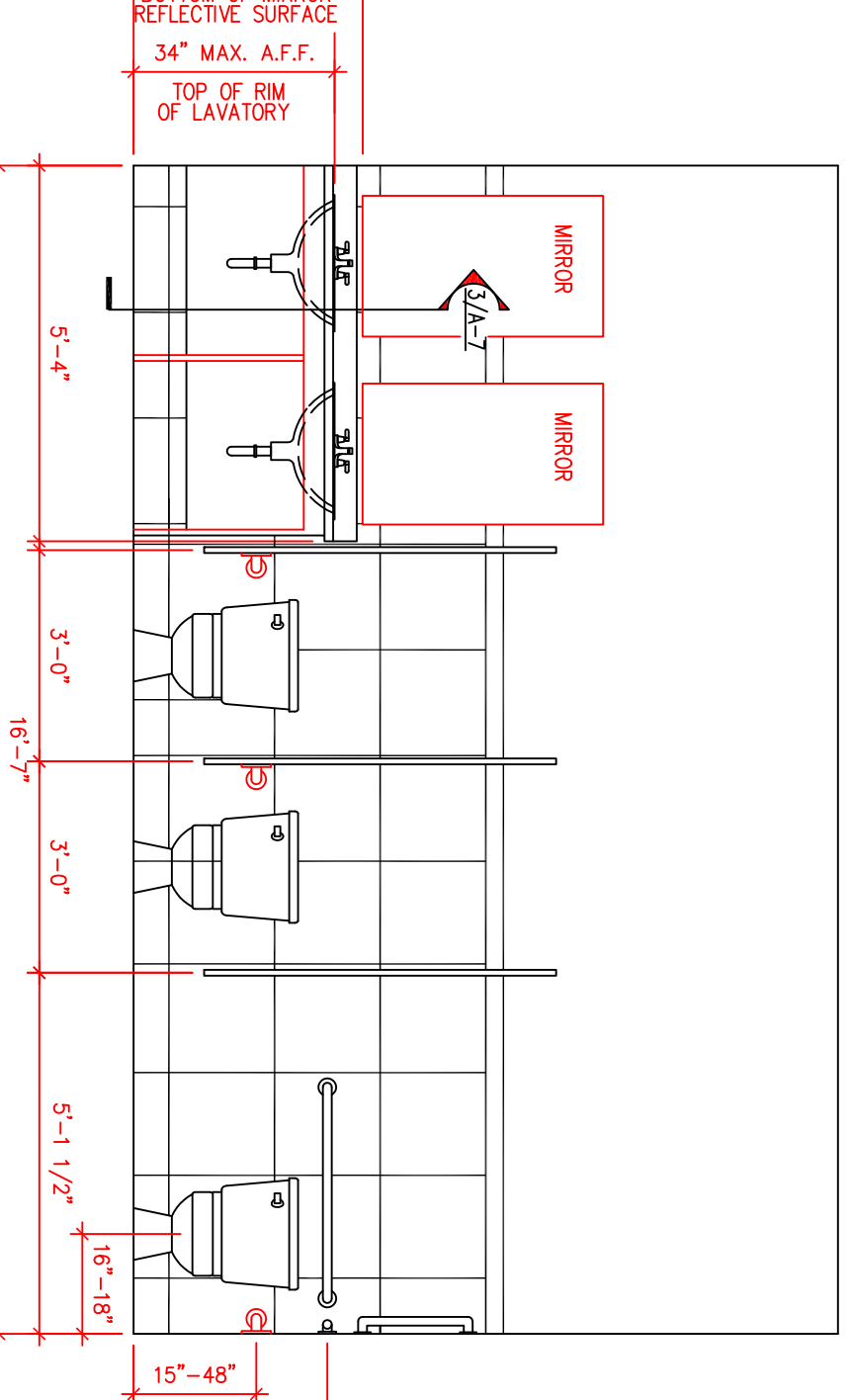


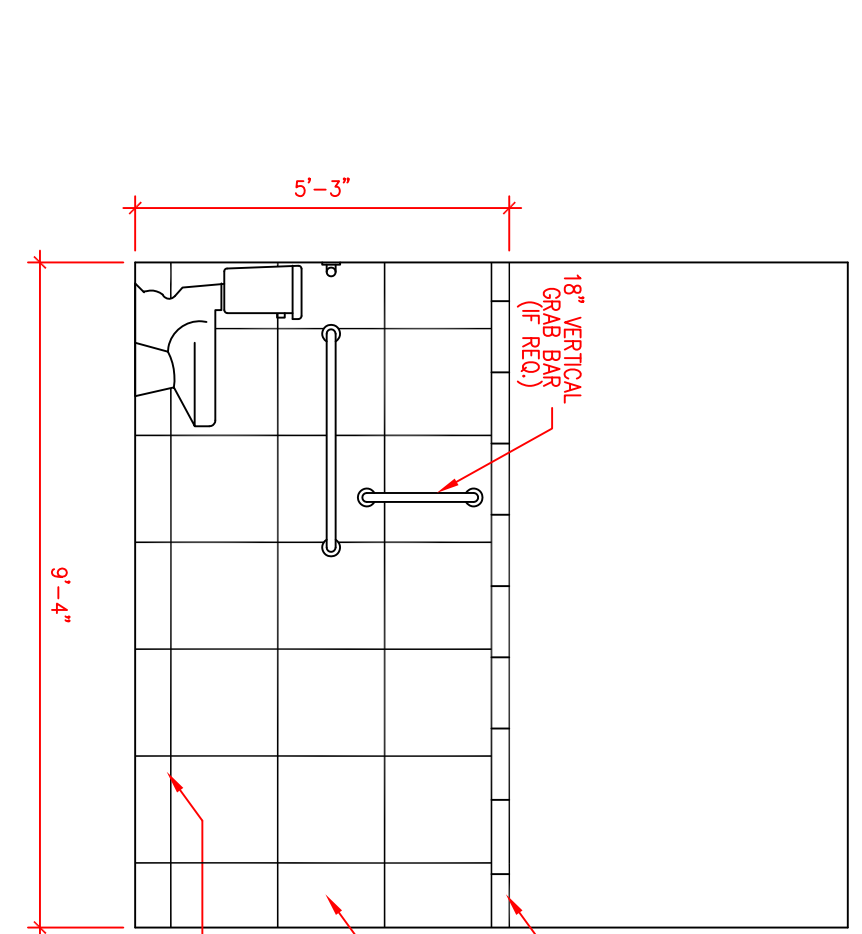
1 SCALE
Men's Restroom
Interior Elevation



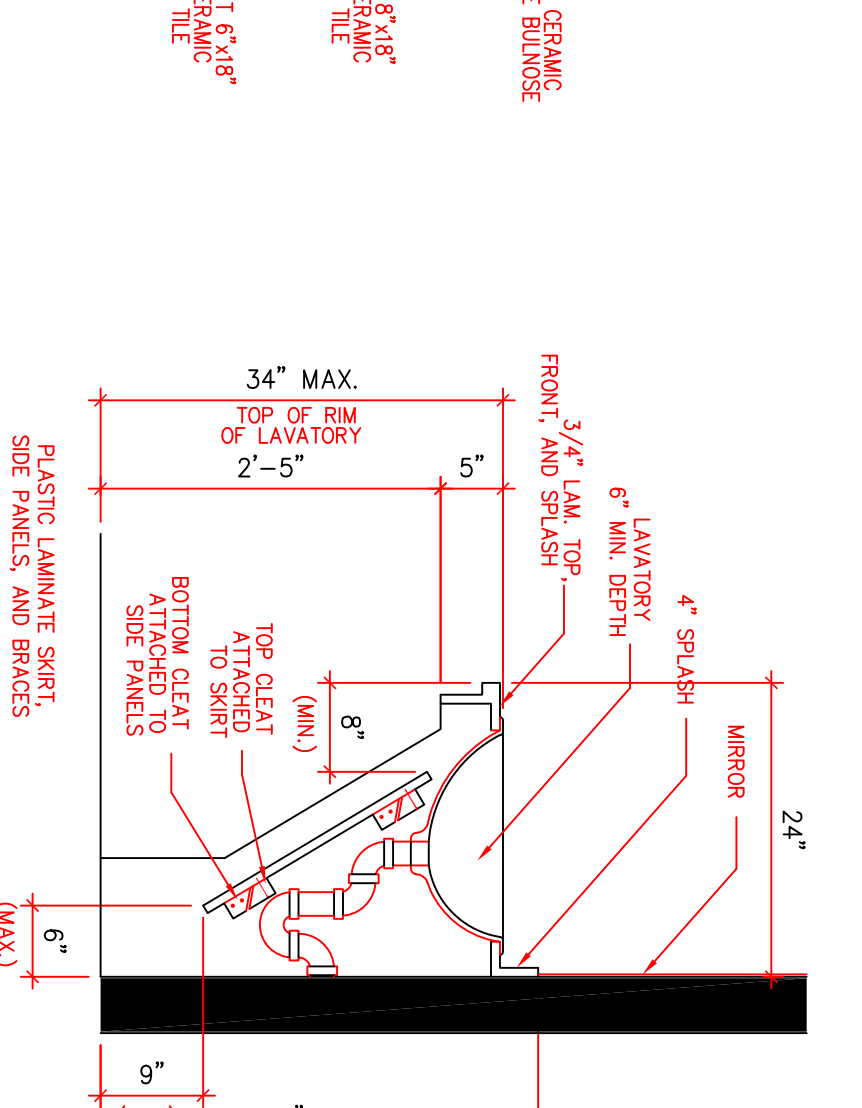
3/8" = 1'-0"
Men's Restroom
Interior Elevation



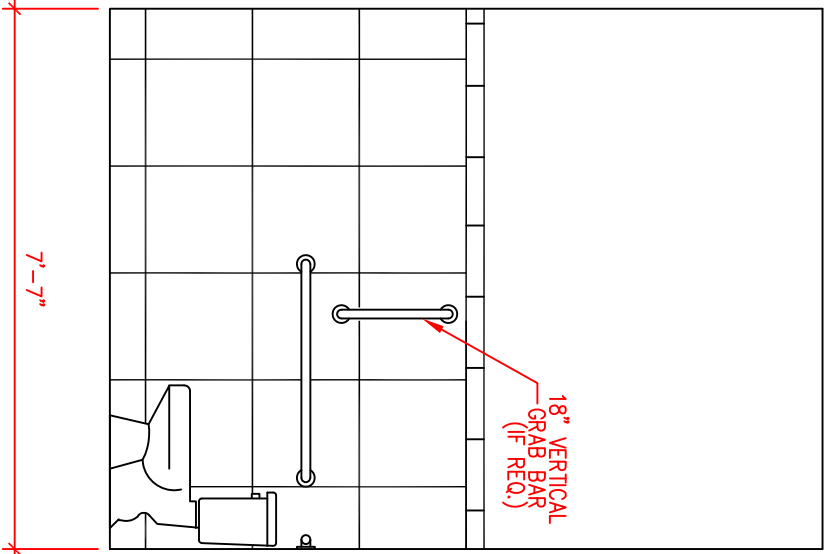
2 SCALE
Women's Restroom
Interior Elevation



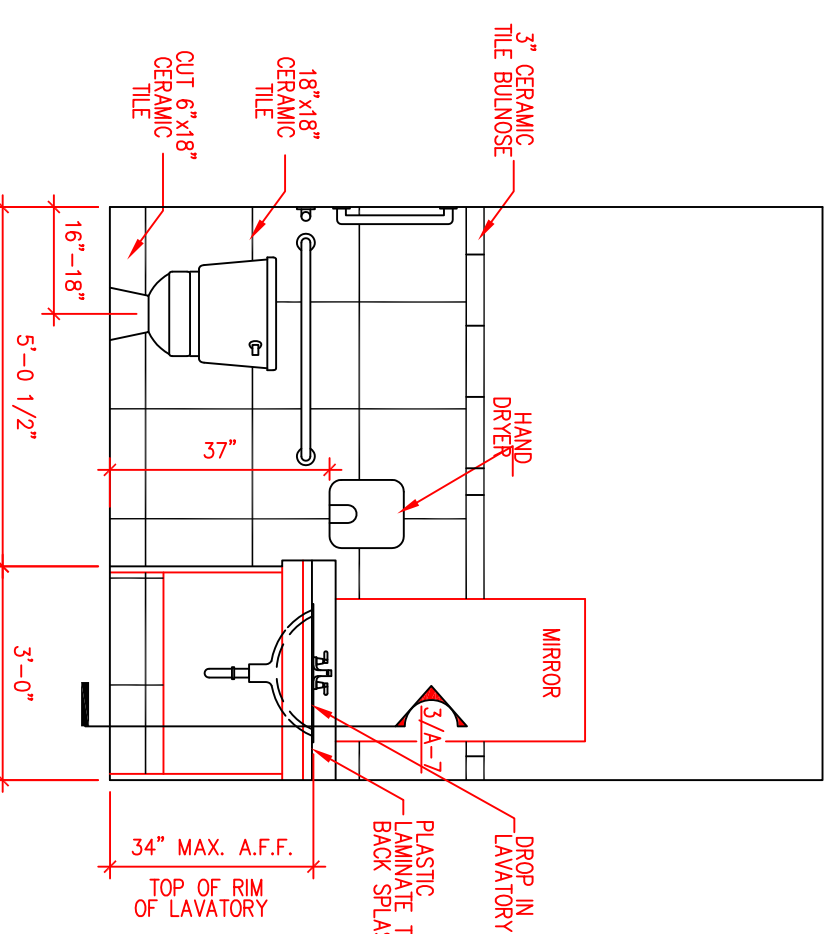
3 SCALE
Skirt Section @ Lavatory



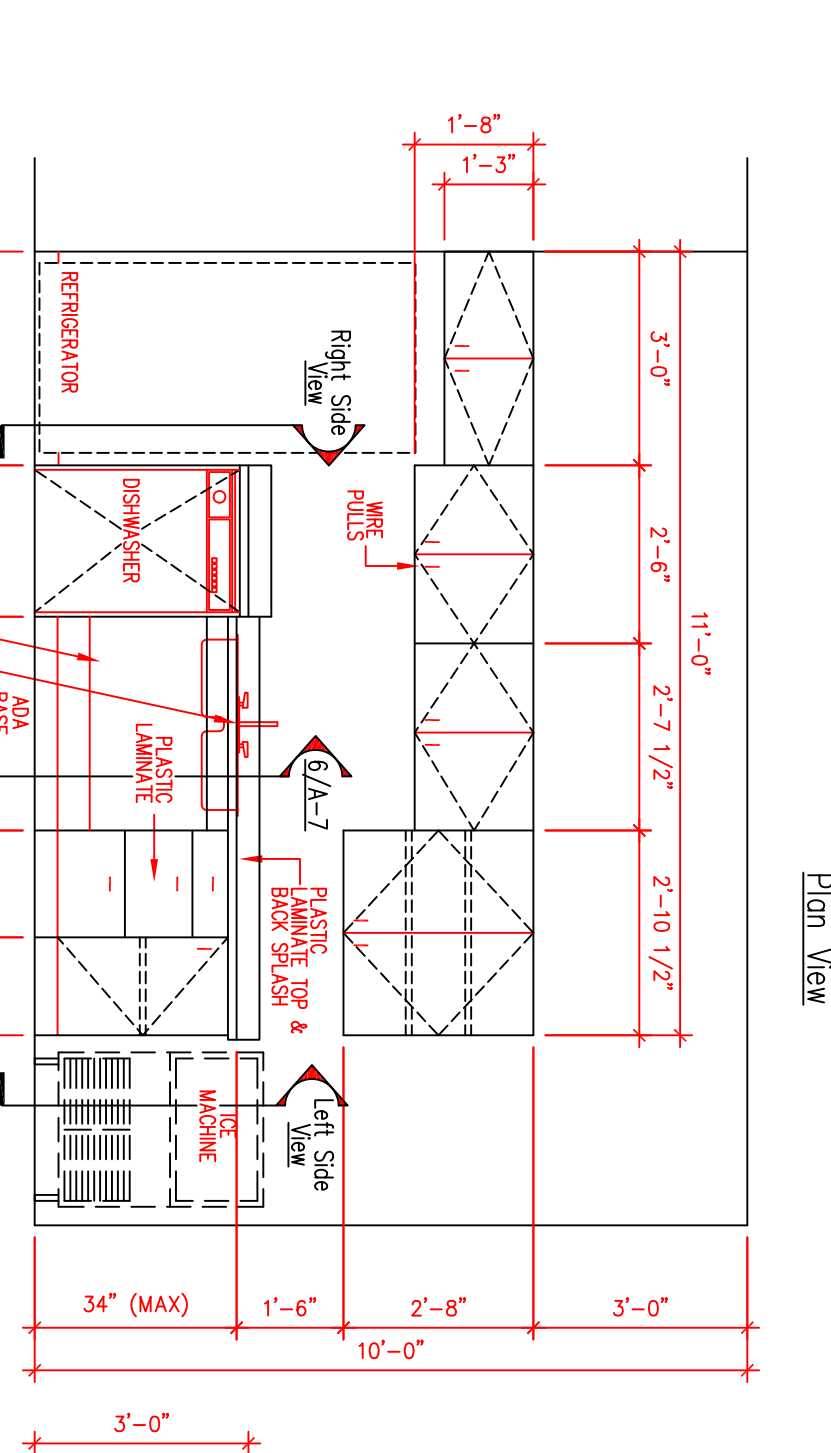
3 SCALE
Skirt Section @ Lavatory



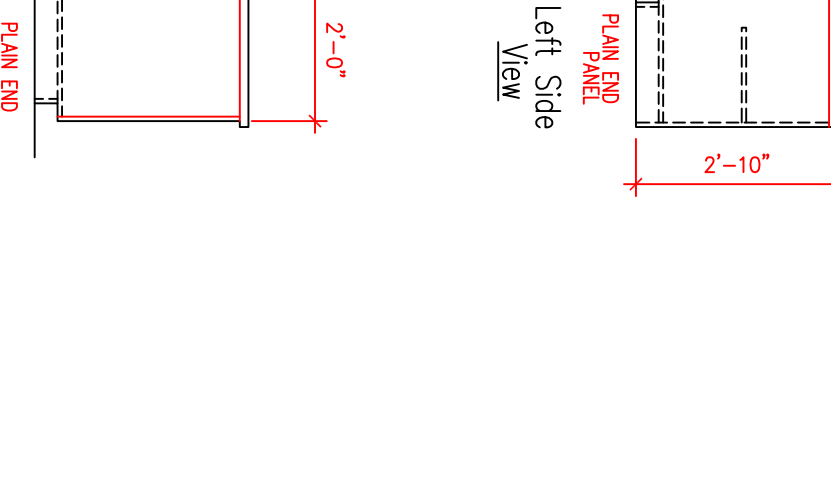
4 SCALE
Customer Restroom -
Interior Elevation



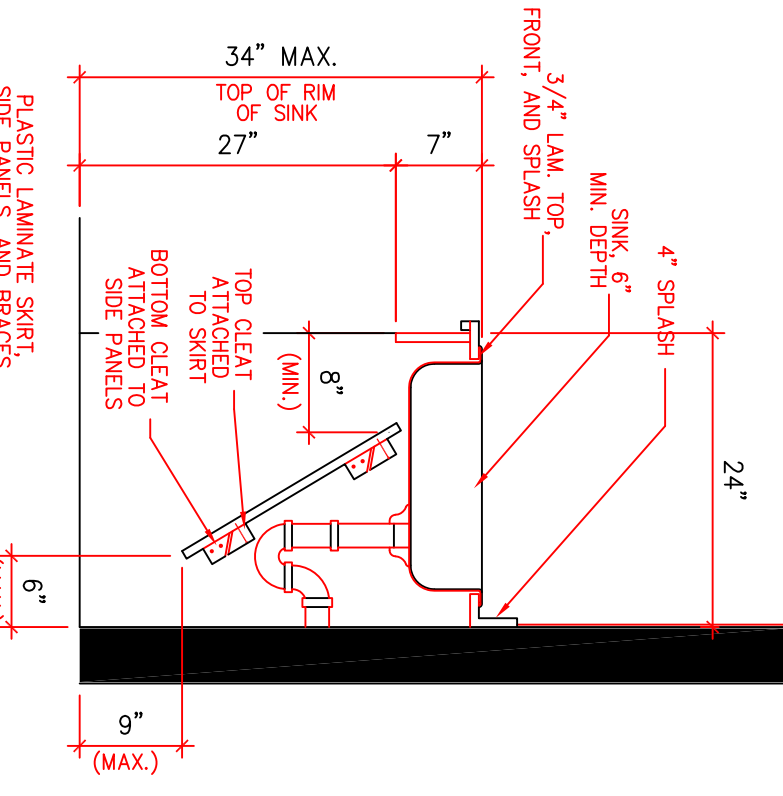
3/8" = 1'-0"
Customer Restroom -
Interior Elevation



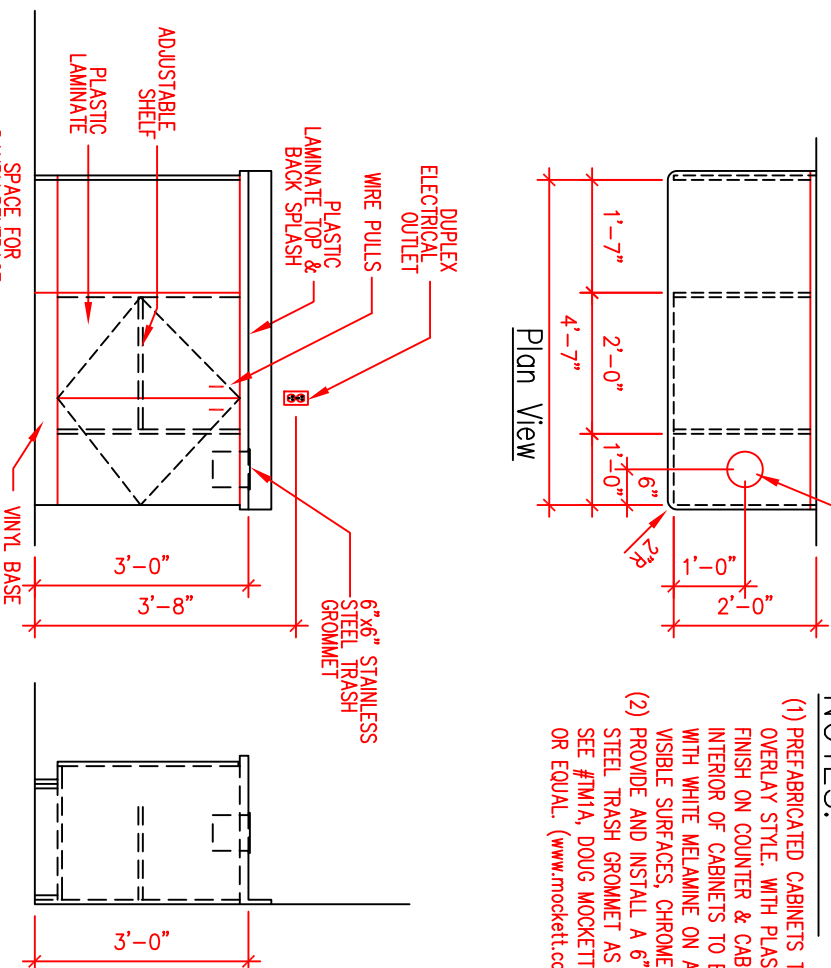
5 SCALE
Break Room Cabinet Elevation



3/8" = 1'-0"
Break Room Cabinet Elevation



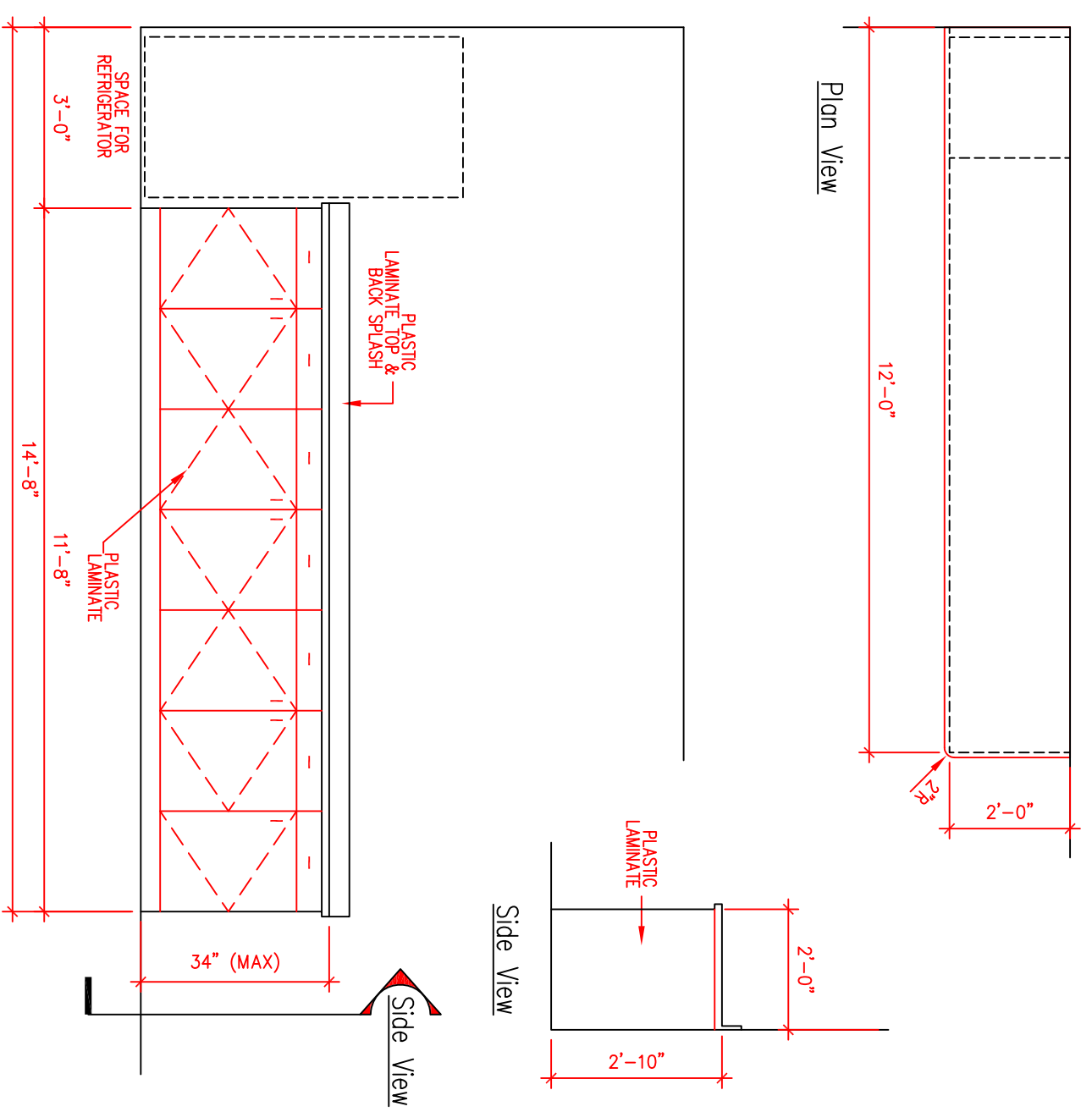
6 SCALE
Skirt Section @ Sink



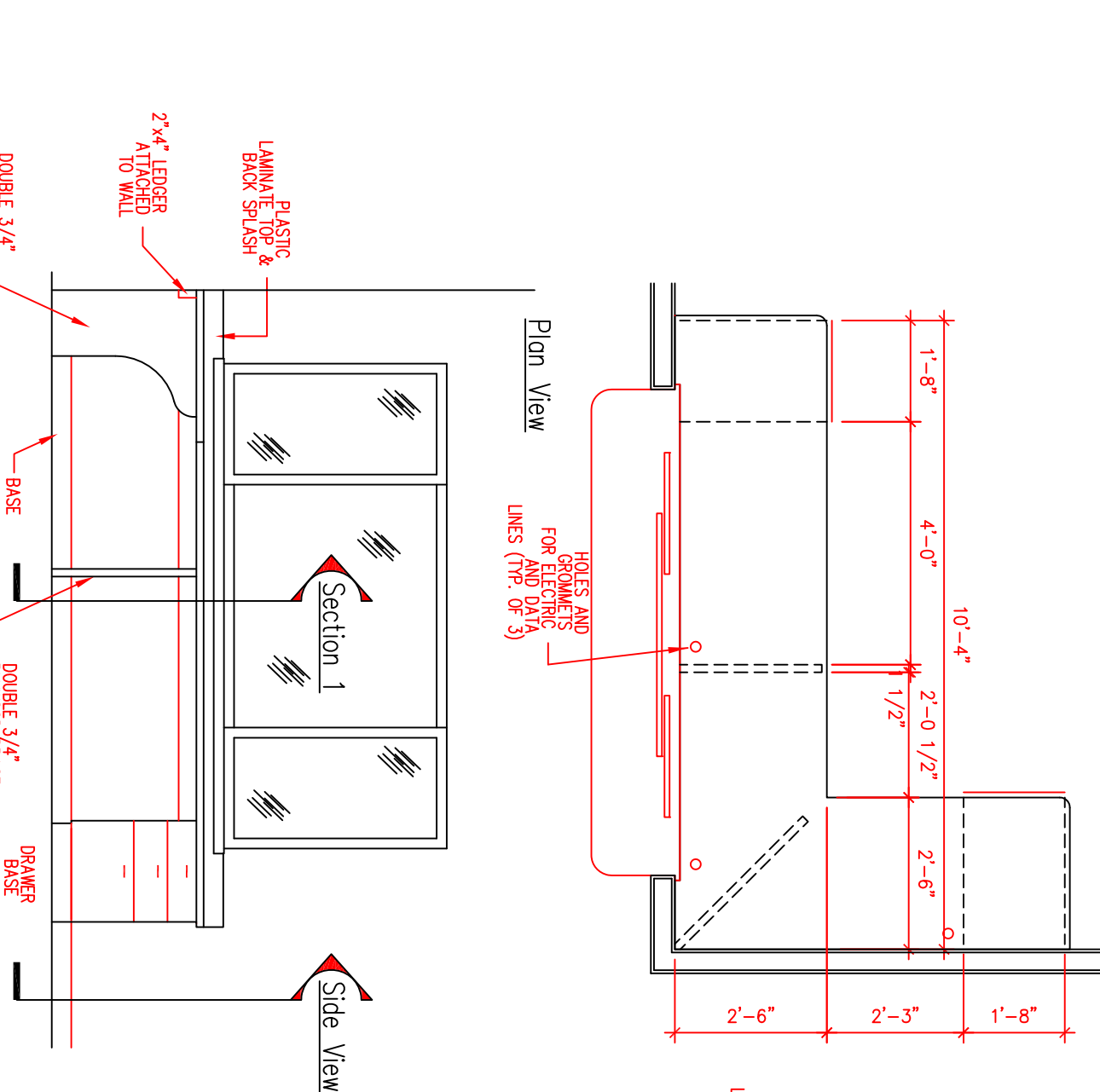
6 SCALE
Customer Waiting
Room - Coffee Bar



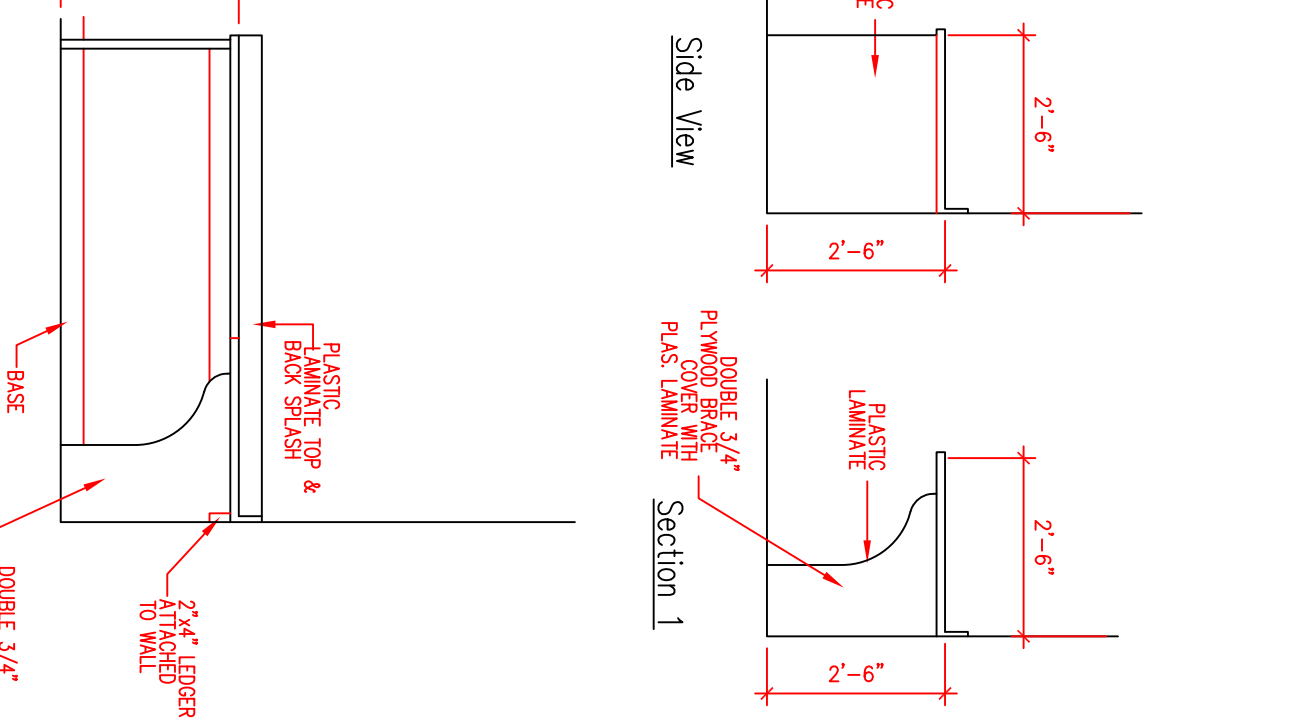
3/8" = 1'-0"
Customer Waiting
Room - Coffee Bar



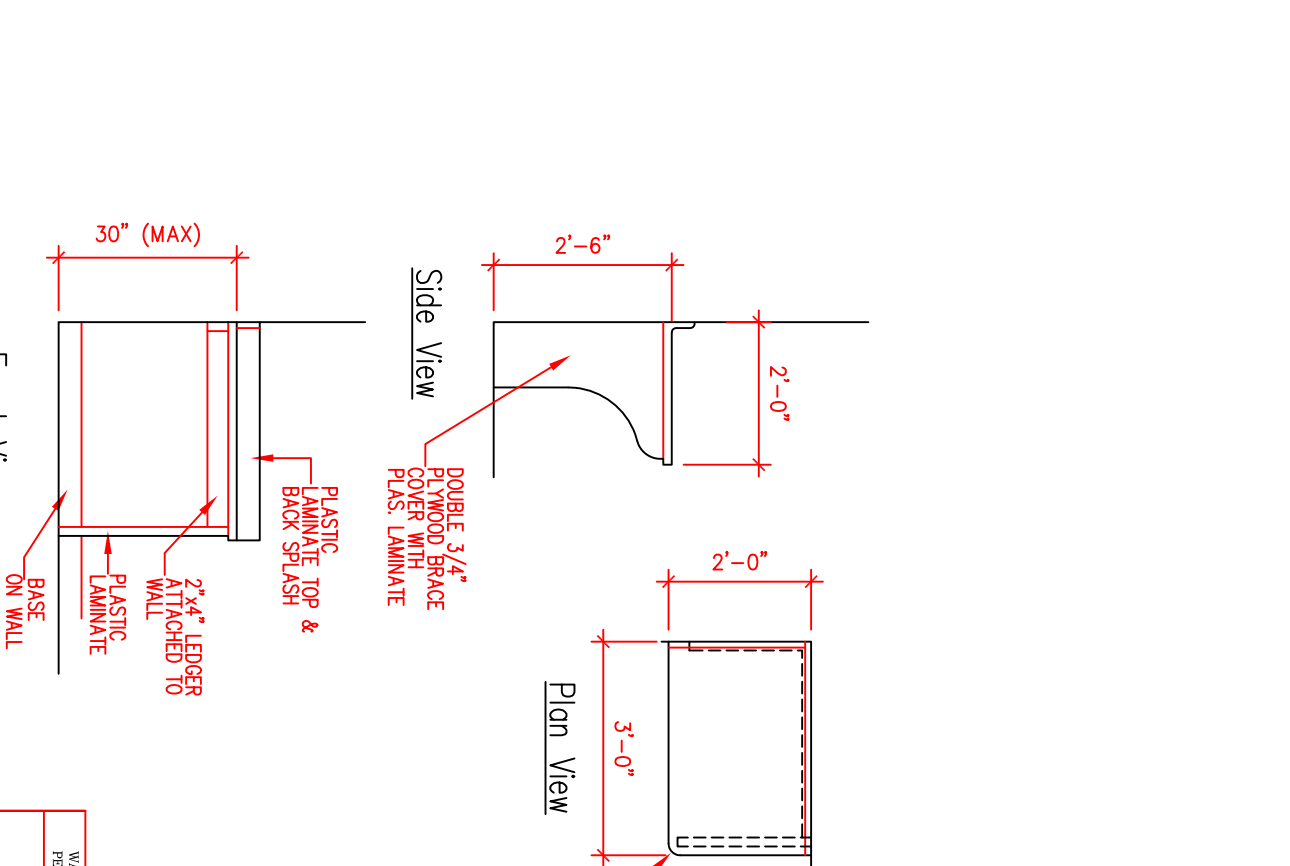
8 SCALE
Cabinet and Counter
in Training / Conference



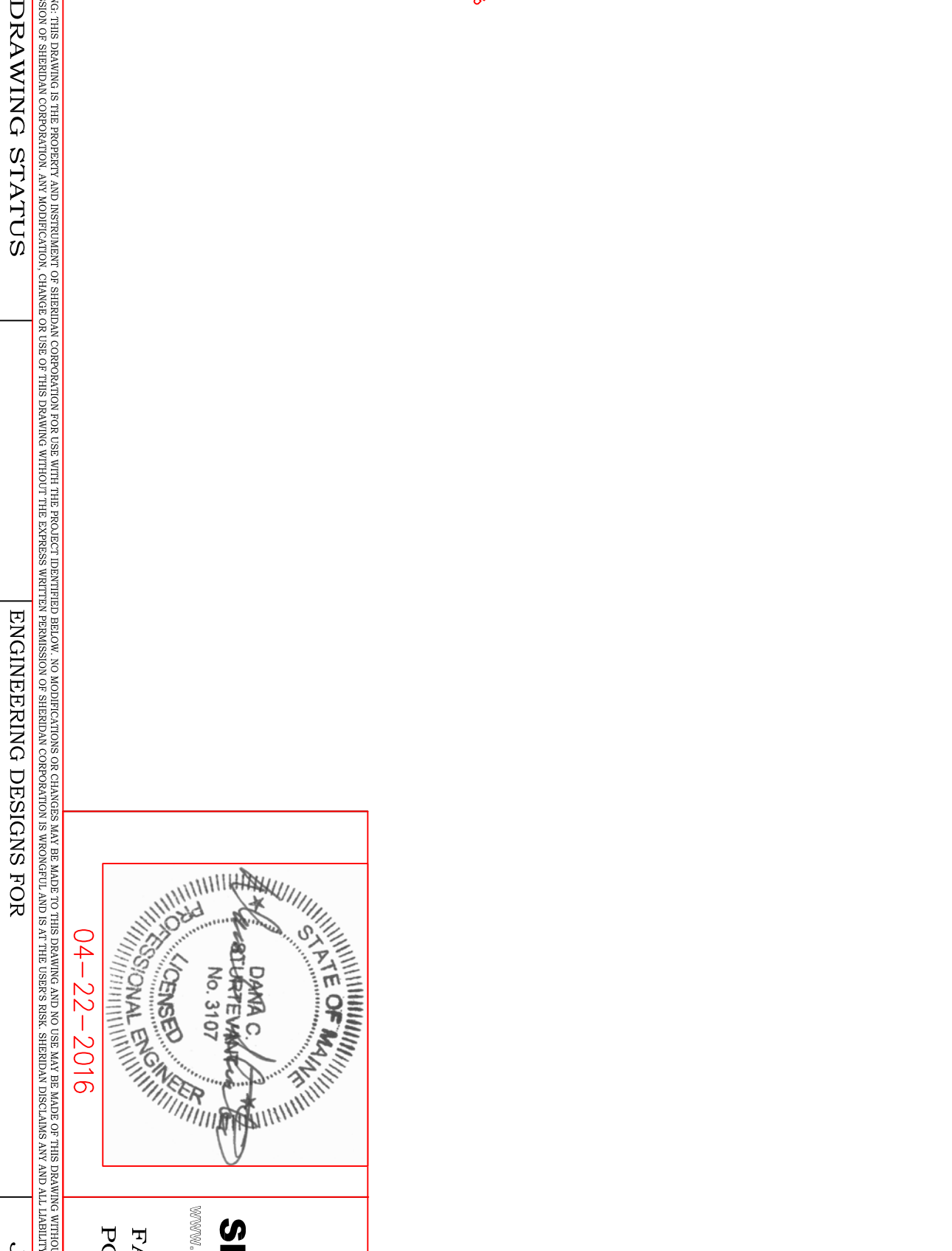
9 SCALE
CSR Counter



3/8" = 1'-0"
CSR Counter



10 SCALE
Small Counter
in Conference Room



DRAWING STATUS		ENGINEERING DESIGNS FOR	
EST. NO.		Societte AutoGloss	
SIZE		421 Warren Avenue	
TYPE		Portland, Maine	
DRAWN BY	RAJP	TITLE	
REVIEWED BY	DS	Millwork, Elevations & Details	
SCALE	AS NOTED	DESIGN BUILDER	
DATE	04/22/2016		

Sheridan
FAIRFIELD
PORTLAND
MAINE

www.sheridandesign.com

JOB NO. 16-1003
ENGINEERING DWG. NO. A6