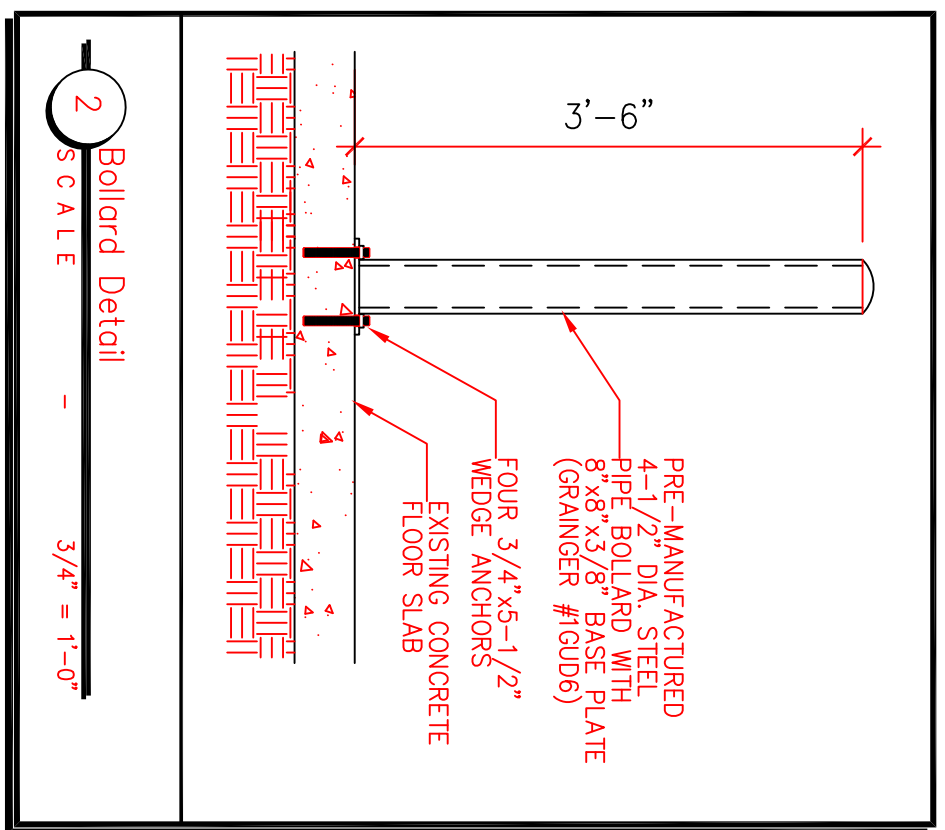


**1 FLOOR PLAN**  
SCALE - 3/32"=1'-0"

- KEYED NOTES - GENERAL**  
(THESE NOTES ARE SPECIFIC TO THIS SHEET ONLY)
- 1 LOCATION OF L-SHAPED MORTAR WORK STATION PROVIDED AND SET IN PLACE BY SAFETIE. SEE DETAIL 2/4-5 FOR PLAN VIEW DIMENSIONS.
  - 2 PROVIDE NEW PRE-MANUFACTURED BOLLARD SHOWN BELOW. SEE SAFETIE DRAWING FOR DIMENSIONS AND INSTALLATION INSTRUCTIONS. PROVIDE AND INSTALL A CONCRETE PAD FOR EMERGENCY GENERATOR AS SHOWN. VERIFY WITH SAFETIE AND CONSTRUCTION MANAGER THE SIZE AND LOCATION OF CONCRETE PAD AS REQUIRED.



Floor Plan Key	
	EXISTING WALLS TO REMAIN
	NEW FRAMED PARTITION WALLS
	NEW FRAMED PARTITION WALLS FLOOR TO DECK OR HARD CEILINGS
	EXISTING DOORS TO REMAIN
	NEW DOORS TO PROVIDE

DATE	REVISION	DRAWING STATUS	DST. NO.	TITLE	JOB NO.
				ENGINEERING DESIGNS FOR <b>Safetie AutoGlass</b> 421 Warren Avenue Portland, Maine	16-1003
			RAJP	DESIGNED BY	ENGINEERING
			DS	DRAWN BY	DWG. NO.
			AS NOTED	REVIEWED BY	A-1.1
			04/22/2016	DATE	

DESIGN BUILDER

