

DOOR SCHEDULE

TAG	DOOR SLAB	SIZE	THICKNESS	SWING	FIRE LABEL	FRAME	WALL THICKNESS	REMARKS	
1	HM	3010	1 3/4	RH		HM	4 1/8		HRDRR SET #4
2	HM	3010	1 3/4	RH		HM	4 1/8		HRDRR SET #4
3	HM	3010	1 3/4	RH		HM	4 1/8	24 X 30 INS. GLASS	HRDRR SET #1
4	ALUM	3010	1 3/4	RH		ALUM	4 1/8	FULL GLASS	HRDRR SET #1
5	ALUM	3010	1 3/4	RH		ALUM	4 1/8	FULL GLASS	HRDRR SET #1
6	HM	3010	1 3/4	RH		HM	4 1/8	24 X 30 INS. GLASS	HRDRR SET #1
7	HM	3010	1 3/4	RH		HM	4 1/8	24 X 30 INS. GLASS	HRDRR SET #1
8	ALUM	3010	1 3/4	RH		ALUM	4 1/8	FULL GLASS	HRDRR SET #1
9	ALUM	3010	1 3/4	RH		ALUM	4 1/8	FULL GLASS	HRDRR SET #1
10	HM	3010	1 3/4	RH		HM	4 1/8	24 X 30 INS. GLASS	HRDRR SET #1
11	HM	3010	1 3/4	RH		HM	4 1/8	24 X 30 INS. GLASS	HRDRR SET #1
12	ALUM	3010	1 3/4	RH		ALUM	4 1/8	FULL GLASS	HRDRR SET #1
13	HM	3010	1 3/4	LH		HM	4 1/8		HRDRR SET #1
14	HM	3010	1 3/4	LH		HM	4 1/8	4" HEADER	HRDRR SET #2
15	HM	3010	1 3/4	LH		HM	4 1/8	4" HEADER	HRDRR SET #3
16	HM	3010	1 3/4	RH		HM	4 1/8		HRDRR SET #1
17	HM	3010	1 3/4	RH		HM	4 1/8		HRDRR SET #1

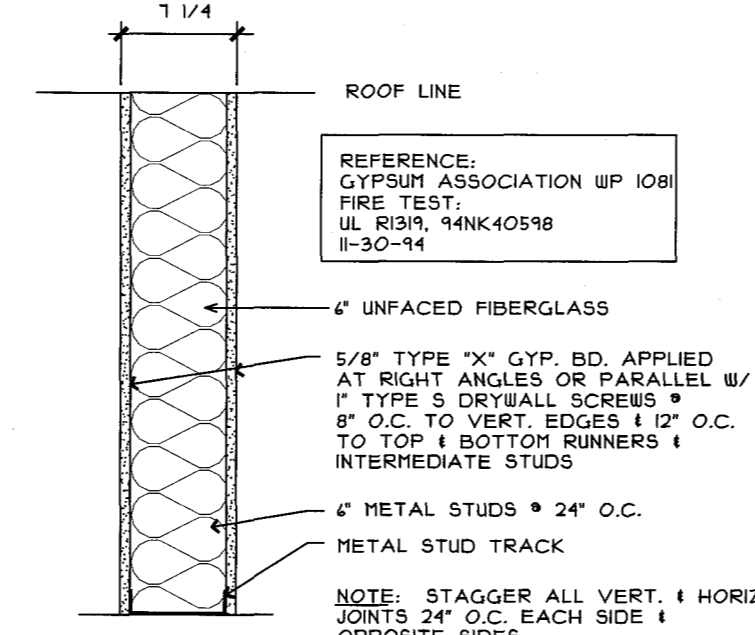
HARDWARE SCHEDULE

SET #1	HINGES, CLOSER, LOCKSET, WEATHERSTRIP, THRESHOLD
SET #2	HINGES, CLOSER, LOCK SET
SET #3	HINGES, PRIVACY SET
SET #4	HINGES, CLOSER, LOCKSET, DEAD BOLT, WEATHERSTRIP, THRESHOLD

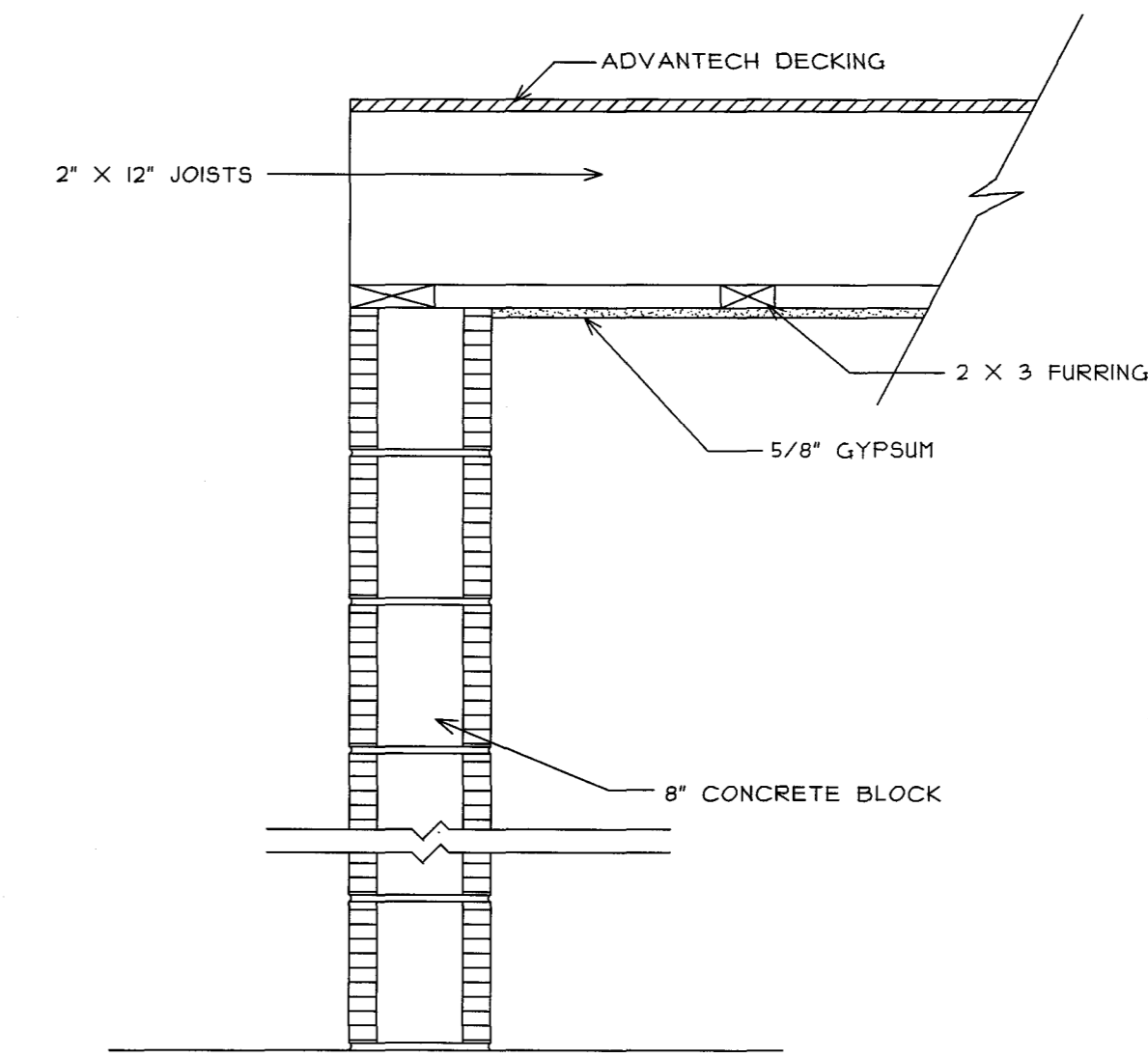
NOTE: ALL LOCKS TO BE MASTER KEYED

WINDOW SCHEDULE

TAG	SIZE	TYPE	MANUFACTURER	GLAZING	"U" VALUE	SHGC	REMARKS
ALL	12" X 48"	SLIDER	MARVIN INTEGRITY	LOW "E" WITH ARGON	0.310	0.330	

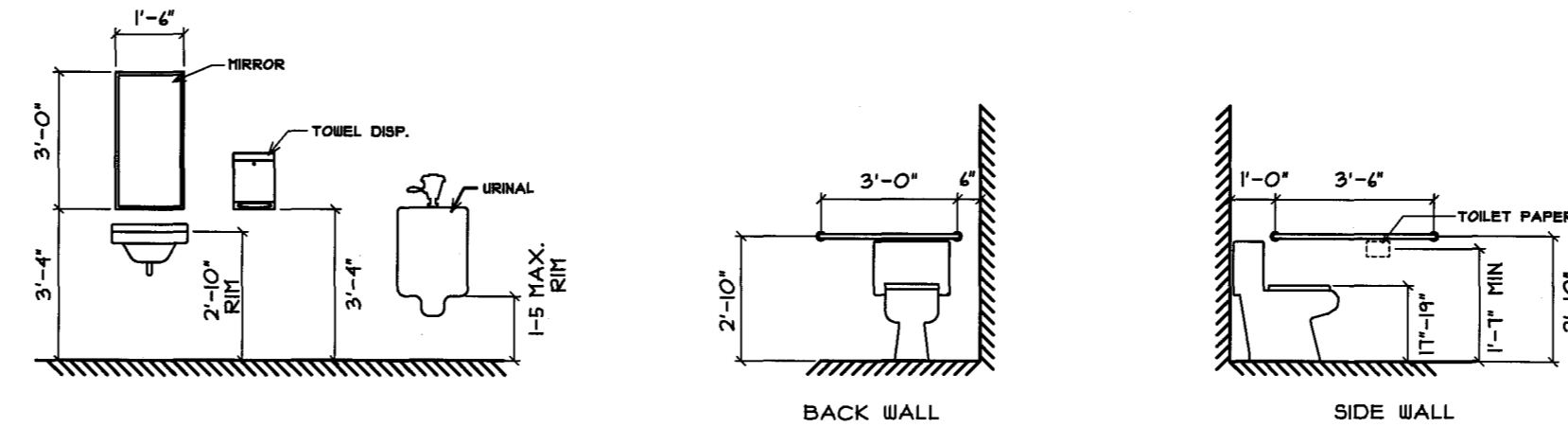


1 HR. PARTITION UL DESIGN: U465
SCALE: 1/4" = 1'-0"



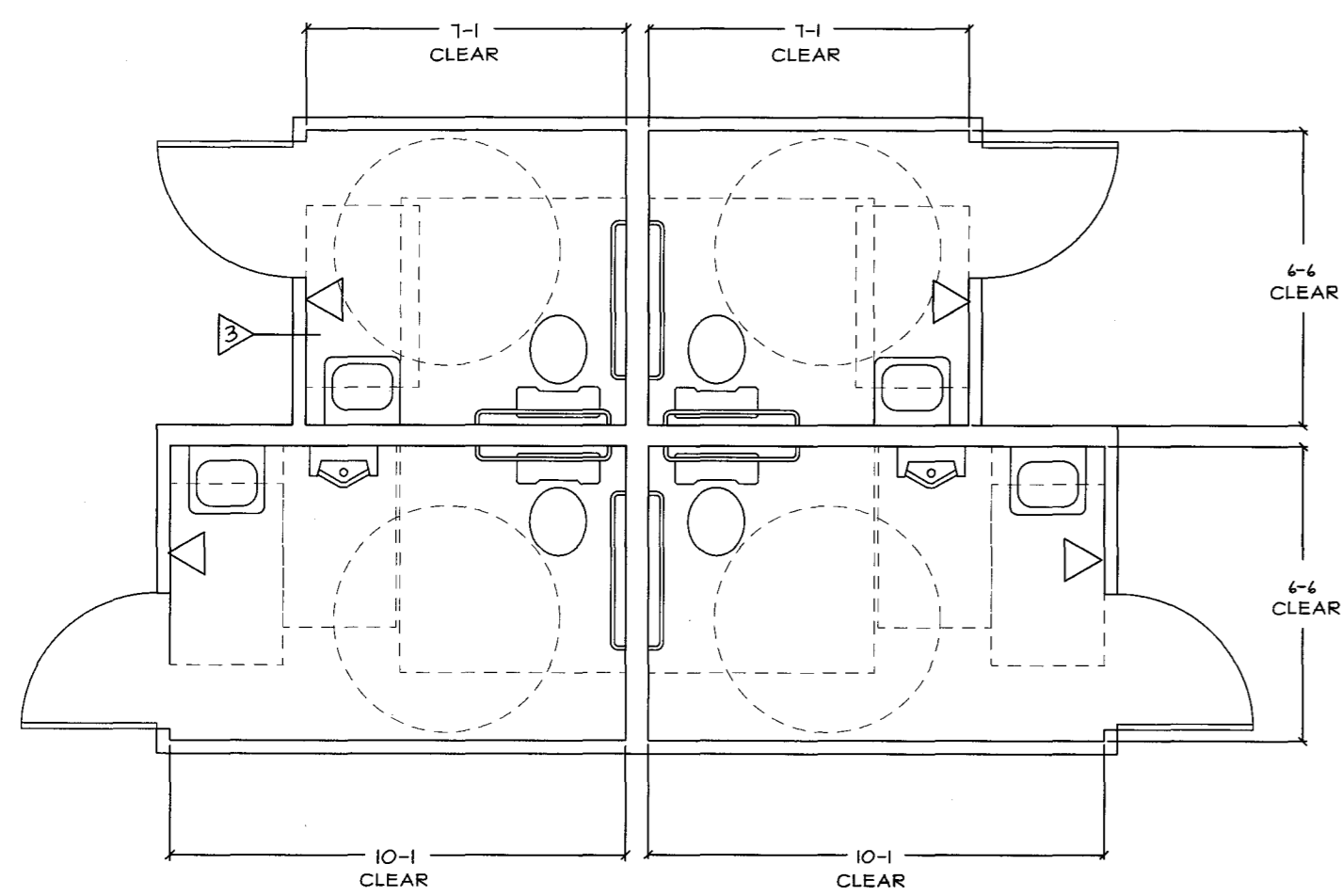
CMU WALL
SCALE: 1/4" = 1'-0"

NOTE: PROVIDE SOLID WOOD BLOCKING IN WALL FOR MOUNTING OF ALL WALL MOUNTED ITEMS



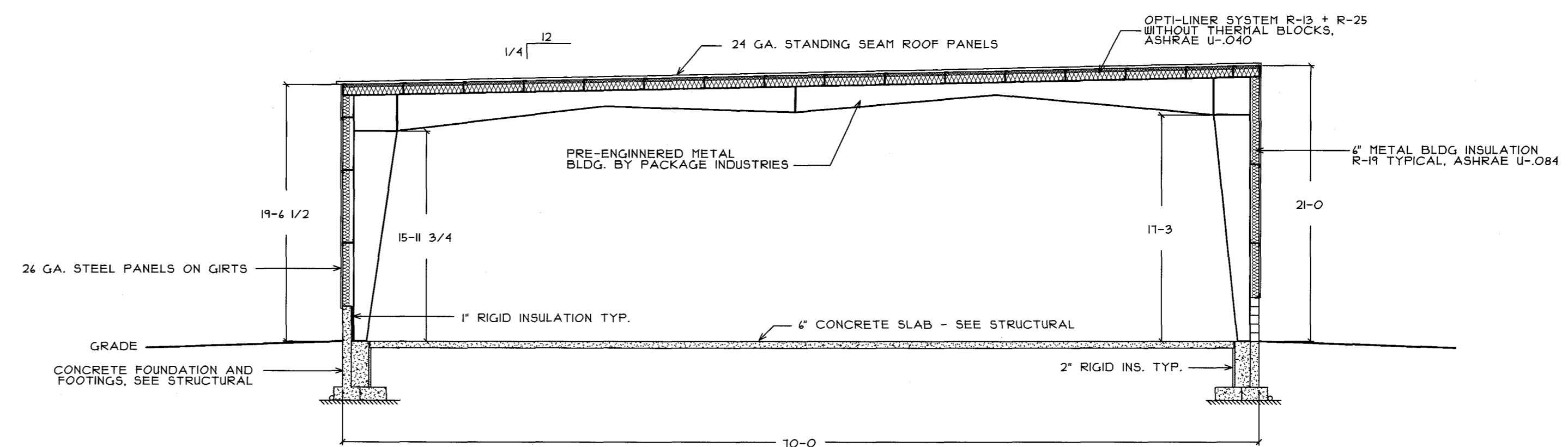
TOILET FIXTURE MOUNTING HEIGHTS

SCALE 1/4" = 1'-0"



ENLARGED H.C. BATHROOM PLAN

SCALE: 1/4" = 1'-0"



BUILDING SECTION

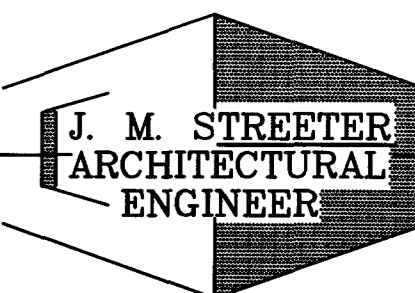
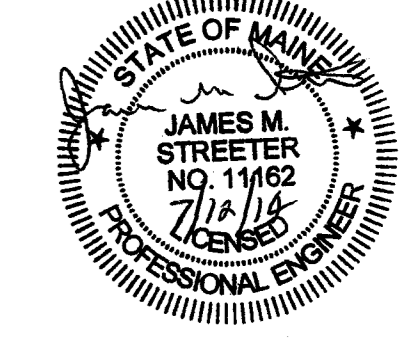
SCALE: 1/8" = 1'-0"



BISKUP CONSTRUCTION, INC.
16 DANIELLE DRIVE
WINDHAM, MAINE 04042
TEL. (207) 892-9800
FAX. (207) 892-9895

WWW.BISKUPCONSTRUCTION.COM

STAMP



44 GARSOE DRIVE
PORTLAND, MAINE 04103 (207) 797-3013

PROJECT:
PH WARREN AVENUE, LLC
421 WARREN AVENUE
PORTLAND, MAINE

REVISIONS

DATE	DESCRIPTION

DATE: 7/1/2014
SCALE: AS SHOWN
DESIGNER: JS
CHECKED BY: JB

© COPYRIGHT
BISKUP CONSTRUCTION, INC.

SHEET TITLE
**SCHEDULE
&
DETAILS**

SHEET NUMBER

A-4

SHEET 4 OF 4