

FIBER ONLY (EXISTING DC POWER)	HYBRID CABLE MN: HB058-M12-050F 12X MULTI-MODE FIBER PAIRS, TOP: OUTDOOR PROTECTED CONNECTORS, BOTTOM: LC CONNECTORS, 5/8" CABLE, 50 FT	50 FT
	MN: HB058-M12-075F	75 FT
	MN: HB058-M12-100F	100 FT
	MN: HB058-M12-125F	125 FT
	MN: HB058-M12-150F	150 FT
	MN: HB058-M12-175F	175 FT
	MN: HB058-M12-200F	200 FT

8 AWG POWER	HYBRID CABLE MN: HB114-08U3M12-050F 3X8 AWG POWER PAIRS, 12X MULTI-MODE FIBER PAIRS, OUTDOOR RATED CONNECTORS & LC CONNECTORS, 1-1/4" CABLE, 50 FT	50 FT
	MN: HB114-08U3M12-075F	75 FT
	MN: HB114-08U3M12-100F	100 FT
	MN: HB114-08U3M12-125F	125 FT
	MN: HB114-08U3M12-150F	150 FT
	MN: HB114-08U3M12-175F	175 FT
	MN: HB114-08U3M12-200F	200 FT

6 AWG POWER	HYBRID CABLE MN: HB114-13U3M12-225F 3X6 AWG POWER PAIRS, 12X MULTI-MODE FIBER PAIRS, OUTDOOR RATED CONNECTORS & LC CONNECTORS, 1-1/4" CABLE, 225 FT	225 FT
	MN: HB114-13U3M12-250F	250 FT
	MN: HB114-13U3M12-275F	275 FT
	MN: HB114-13U3M12-300F	300 FT

4 AWG POWER	HYBRID CABLE MN: HB114-21U3M12-325F 3X6 AWG POWER PAIRS, 12X MULTI-MODE FIBER PAIRS, OUTDOOR RATED CONNECTORS & LC CONNECTORS, 1-1/4" CABLE, 325 FT	325 FT
	MN: HB114-21U3M12-350F	350 FT
	MN: HB114-21U3M12-375F	375 FT

RFS HYBRIFLEX JUMPER CABLE SCHEDULE

FIBER ONLY	HYBRID JUMPER CABLE MN: HBFO12-M3-5F1 5 FT, 3X MULTI-MODE FIBER PAIRS, OUTDOOR & LC CONNECTORS, 1/2" CABLE	5 FT
	MN: HBFO12-M3-10F1	10 FT
	MN: HBFO12-M3-15F1	15 FT
SPECIAL INSTALLATION NOTE: JUMPERS FROM 2.5 RRH TO 2.5 ANTENNA SHALL NOT EXCEED 15' NOTIFY SPRINT CM OF ANY DISCREPANCY		

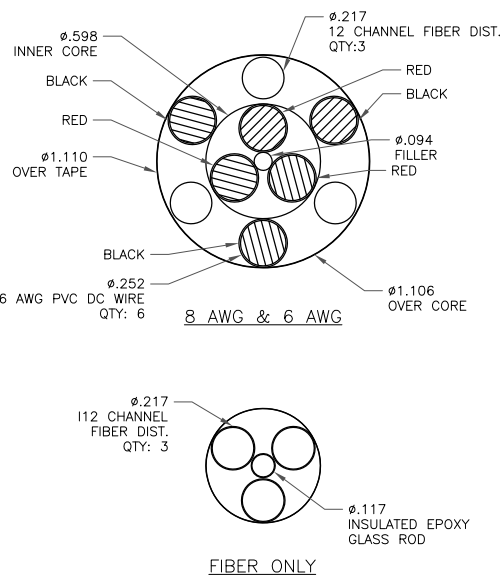
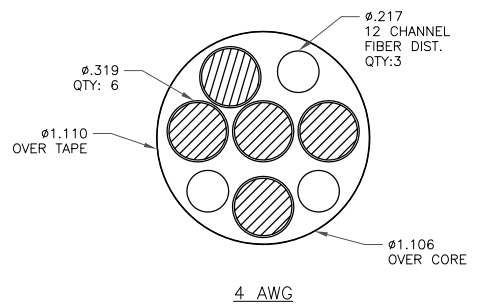
8 AWG POWER	HYBRID JUMPER CABLE MN: HBFO58-08U1M3-5F1 5 FT, 1X8 AWG POWER PAIR, 3X MULTI-MODE FIBER PAIRS, OUTDOOR & LC CONNECTORS, 5/8" CABLE	5 FT
	MN: HBFO58-08U1M3-10F1	10 FT
	MN: HBFO58-08U1M3-15F1	15 FT
SPECIAL INSTALLATION NOTE: JUMPERS FROM 2.5 RRH TO 2.5 ANTENNA SHALL NOT EXCEED 15' NOTIFY SPRINT CM OF ANY DISCREPANCY		

6 AWG POWER	HYBRID JUMPER CABLE MN: HBFO58-13U1M3-5F1 5 FT, 1X6 AWG POWER PAIR, 3X MULTI-MODE FIBER PAIRS, OUTDOOR & LC CONNECTORS, 5/8" CABLE	5 FT
	MN: HBFO58-13U1M3-10F1	10 FT
	MN: HBFO58-13U1M3-15F1	15 FT
SPECIAL INSTALLATION NOTE: JUMPERS FROM 2.5 RRH TO 2.5 ANTENNA SHALL NOT EXCEED 15' NOTIFY SPRINT CM OF ANY DISCREPANCY		

4 AWG POWER	HYBRID JUMPER CABLE MN: HBFO78-21U1M3-5F1 5 FT, 1X4 AWG POWER PAIR, 3X MULTI-MODE FIBER PAIRS, OUTDOOR & LC CONNECTORS, 7/8" CABLE	5 FT
	MN: HBFO78-21U1M3-10F1	10 FT
	MN: HBFO78-21U1M3-15F1	15 FT
SPECIAL INSTALLATION NOTE: JUMPERS FROM 2.5 RRH TO 2.5 ANTENNA SHALL NOT EXCEED 15' NOTIFY SPRINT CM OF ANY DISCREPANCY		

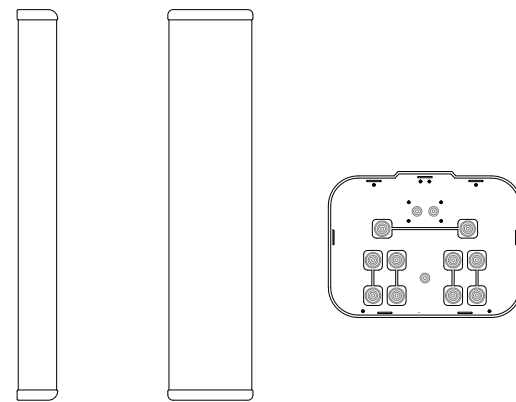
HYBRID CABLE DC CONDUCTOR SIZE GUIDELINE
 MANUF: RFS/CELWAVE

CABLE	LENGTH	DC CONDUCTOR	CABLE DIAMETER
FIBER ONLY	VARIES	USE NV HYBRIFLEX	5/8"
HYBRIFLEX	<200'	8 AWG	1-1/4"
HYBRIFLEX	225-300'	6 AWG	1-1/4"
HYBRIFLEX	325-375'	4 AWG	1-1/4"



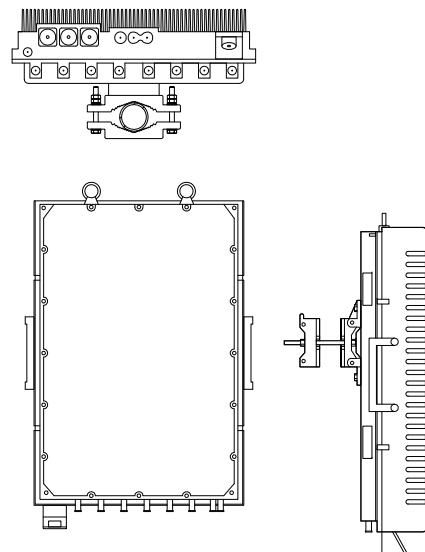
INSTALLER NOTE:
 SPRINT CM TO CONFIRM HYBRID/FIBER
 RISER CABLE & HYBRID/FIBER JUMPER
 CABLE MODEL NUMBERS BEFORE
 PREPARING BOM.

1 HYBRID CABLE CROSS SECTION & DATA
 SCALE: NOT TO SCALE



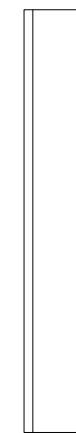
COMMSCOPE - DT465B-2XR
 WEIGHT (WITHOUT MOUNTING HARDWARE): 58.0 LBS
 SIZE (HxWxD): 71.90x13.80x8.20 IN.
 MOUNTING HARDWARE P/N: BSAMNT-1
 RATED WIND VELOCITY: 150.0 MPH

2 COMMSCOPE - DT465B-2XR
 SCALE: NOT TO SCALE



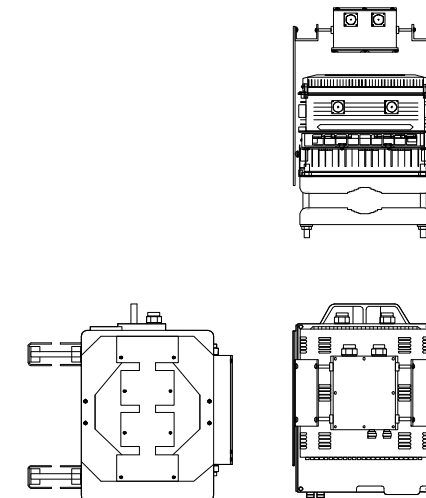
ALCATEL LUCENT - TD-RRH8x20-25
 WEIGHT (WITHOUT MOUNTING HARDWARE): 66.0 LBS
 SIZE (HxWxD): 25.4x17.5x5.7 IN.

4 ALCATEL LUCENT - TD-RRH8x20-25
 SCALE: NOT TO SCALE



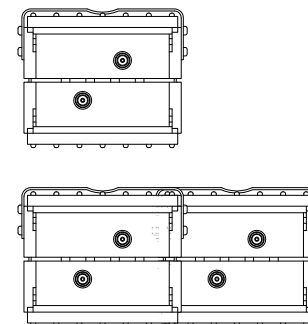
RFS/CELWAVE - APXVSP18-C-A20
 WEIGHT (WITHOUT MOUNTING HARDWARE): 62.0 LBS
 SIZE (HxWxD): 72.0x11.8x7.9 IN.
 MOUNTING HARDWARE: APM40-2 DOWNTILT KIT
 MOUNTING HARDWARE WEIGHT: 7.5 LBS

3 RFS/CELWAVE - APXVSP18-C-A20
 SCALE: NOT TO SCALE



ALCATEL LUCENT - 800MHZ 2x50W RRH
 WEIGHT (WITHOUT BRACKETS): 53.0 LBS
 SIZE (WITHOUT BRACKET): 19.70x13.00x10.80 IN.

5 ALCATEL LUCENT - 800MHZ 2x50W RRH
 SCALE: NOT TO SCALE



RFS/CELWAVE - FIM800CAB-C2D
 WEIGHT: 53.0 LBS
 SIZE (HxWxD): 15.2x9.65x8.5 IN.

6 RFS/CELWAVE - FIM800CAB-C2D
 SCALE: NOT TO SCALE

Sprint
 6391 SPRINT PARKWAY
 OVERLAND PARK, KS 66251-2650

CROWN CASTLE
 3 CORPORATE PARK DRIVE, SUITE 101
 CLIFTON PARK, NY 12065

SPRINT SITE NUMBER:
 NM03XC066

BU #: 878782
 PORTLAND WARREN AVE

188 WARREN AVE
 PORTLAND, ME 04103
 EXISTING 179'-4" MONOPOLE

ISSUED FOR:

REV	DATE	DRWN	DESCRIPTION	DES./QA
A	12/21/17	AK	PRELIMINARY	LMR
0	01/26/18	AK	CONSTRUCTION	AJF

DocuSigned by:
 Andrew Joseph Fandozzi III
 BAD606DD0024F4

STATE OF MAINE
 ANDREW JOSEPH FANDOZZI III
 No. 13820
 LICENSED PROFESSIONAL ENGINEER

1/26/2018 | 4:04:17 PM EST

IT IS A VIOLATION OF LAW FOR ANY PERSON,
 UNLESS THEY ARE ACTING UNDER THE DIRECTION
 OF A LICENSED PROFESSIONAL ENGINEER,
 TO ALTER THIS DOCUMENT.

SHEET NUMBER: **C-4** REVISION: **0**