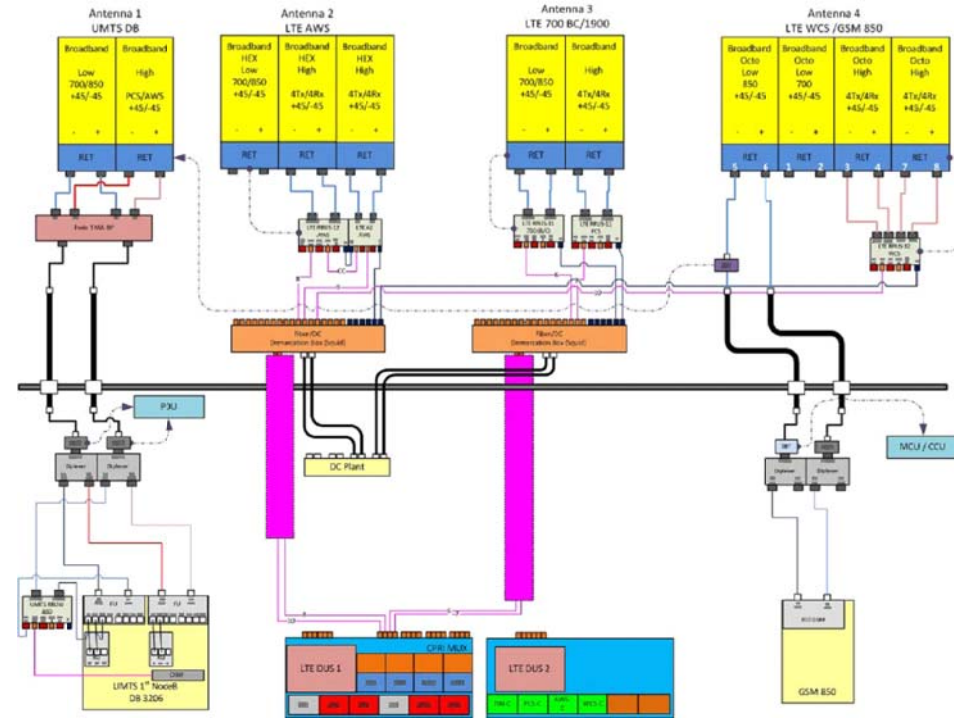


PLUMBING DIAGRAM (ALPHA)

SCALE: N.T.S

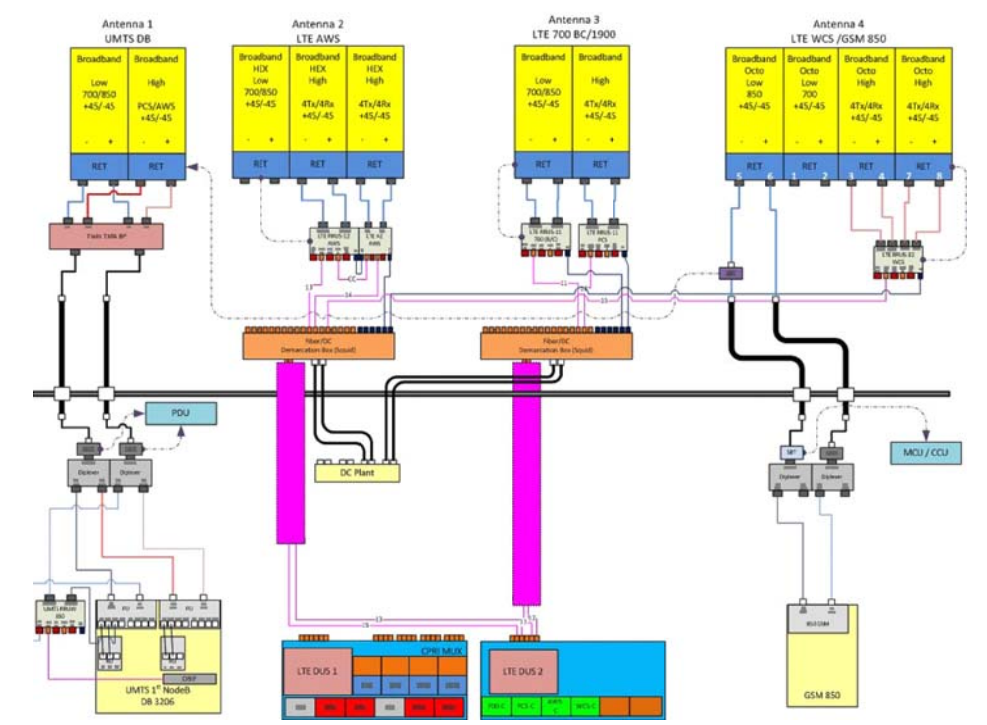
1
RF-1



PLUMBING DIAGRAM (BETA)

SCALE: N.T.S

2
RF-1



PPUMBING DIAGRAM (GAMMA)

SCALE: N.T.S

3
RF-1



1600 OSGOOD STREET
BUILDING 20 NORTH, SUITE 3090
N. ANDOVER, MA 01845
TEL: (978) 557-5553
FAX: (978) 336-5586



27 NORTHWESTERN DR.
SALEM, NH 03079

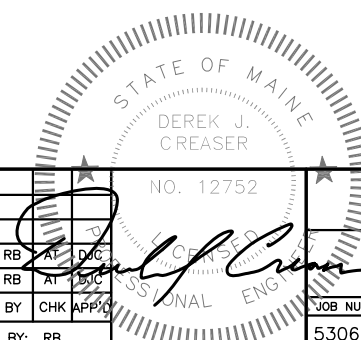
SITE NUMBER: ME5306
SITE NAME: SPRINT PORTLAND
CROWN ID: 878782
188 WARREN AVENUE
PORTLAND, ME 04103
CUMBERLAND COUNTY



550 COCHITUATE ROAD
FRMINGHAM, MA 01701

| NO. | DATE | REVISIONS | BY | CHK | APP |
|-----|----------|-------------------------|----|-----|-----|
| 1 | 03/02/16 | ISSUED FOR CONSTRUCTION | RB | AT | DJC |
| A | 12/17/15 | ISSUED FOR REVIEW | RB | AT | DJC |

SCALE: AS SHOWN DESIGNED BY: AT DRAWN BY: RB



AT&T

PLUMBING DIAGRAM
(LTE 4C)

| JOB NUMBER | DRAWING NUMBER | REV |
|------------|----------------|-----|
| 5306.00 | RF-1 | 1 |