

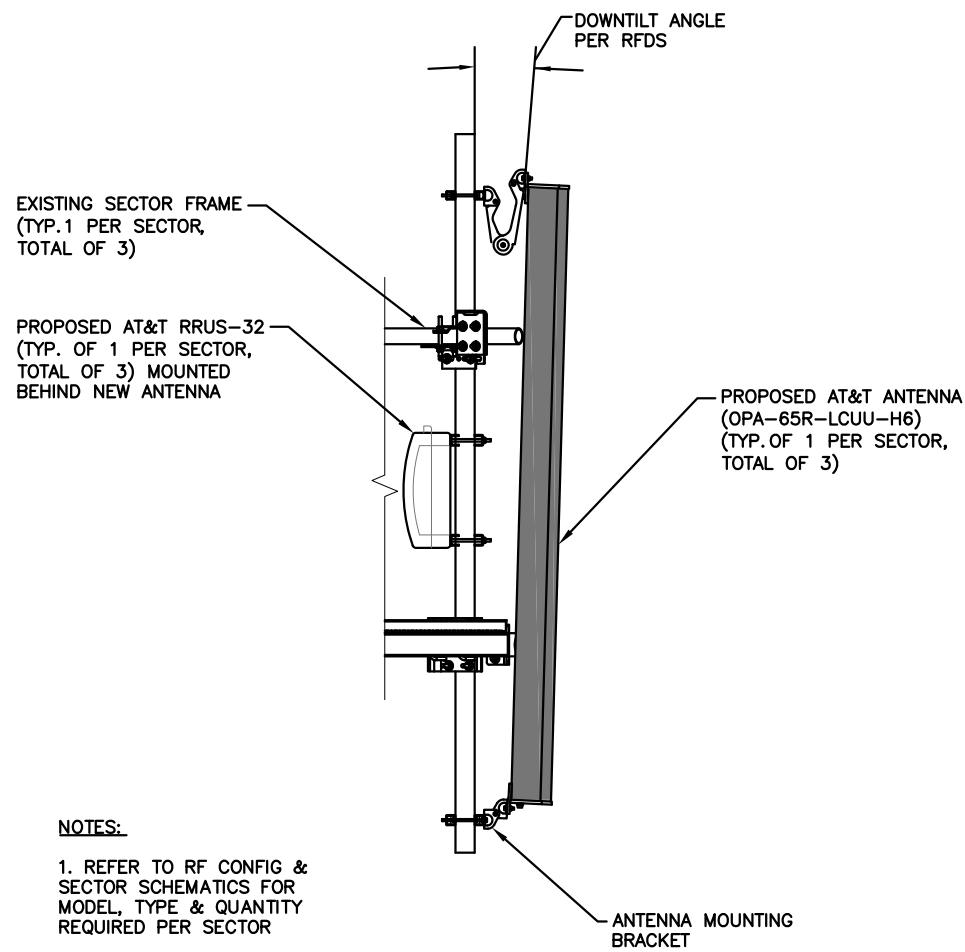
EXISTING ANTENNA SCHEDULE			
SECTOR	MAKE	MODEL#	SIZE (INCHES)
ALPHA:	POWERWAVE	7770	55X11X5
	CCI	HPA-65R-BUU-H8	92.4X14.8X7.4
	POWERWAVE	P65-17-XLH-RR	96X11.8X6
	POWERWAVE	7770	55X11X5
BETA:	POWERWAVE	7770	55X11X5
	CCI	HPA-65R-BUU-H8	72X14.8X9
	KMW	AM-X-CD-16-65-00T-RET	72X11.8X5.9
	POWERWAVE	7770	55X11X5
GAMMA:	POWERWAVE	7770	55X11X5
	CCI	HPA-65R-BUU-H6	72X14.8X9
	KMW	AM-X-CD-16-65-00T-RET	72X11.8X5.9
	POWERWAVE	7770	55X11X5

PROPOSED ANTENNA SCHEDULE			
SECTOR	MAKE	MODEL#	SIZE (INCHES)
ALPHA:	POWERWAVE	7770	55X11X5
	CCI	HPA-65R-BUU-H8	92.4X14.8X7.4
	POWERWAVE	P65-17-XLH-RR	96X11.8X6
	CCI	OPA-65R-LCUU-H8	92.7X14.4X7
BETA:	POWERWAVE	7770	55X11X5
	CCI	HPA-65R-BUU-H8	72X14.8X9
	KMW	AM-X-CD-16-65-00T-RET	72X11.8X5.9
	CCI	OPA-65R-LCUU-H6	72X14.8X7.4
GAMMA:	POWERWAVE	7770	55X11X5
	CCI	HPA-65R-BUU-H6	72X14.8X9
	KMW	AM-X-CD-16-65-00T-RET	72X11.8X5.9
	CCI	OPA-65R-LCUU-H6	72X14.8X7.4

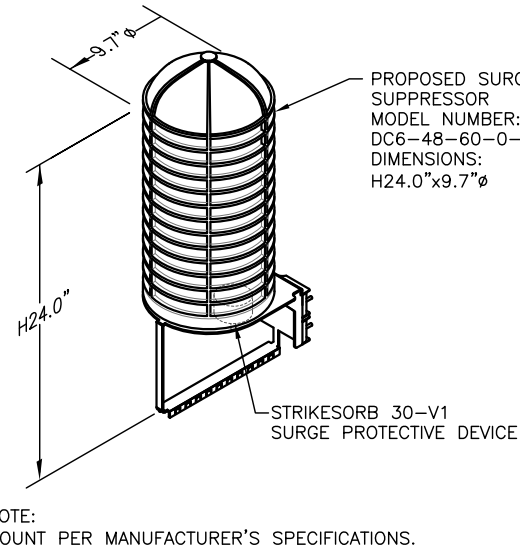
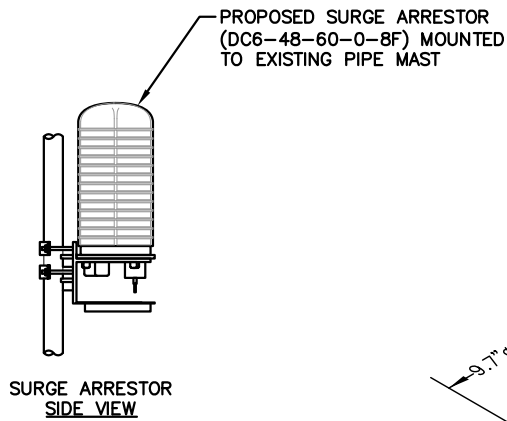
NOTE:
AN ANALYSIS FOR THE CAPACITY OF THE EXISTING ANTENNA MOUNT TO SUPPORT THE PROPOSED LOADING HAS BEEN COMPLETED BY HUDSON DESIGN GROUP, LLC. DATED: NOVEMBER 06, 2015

NOTE:
REFER TO THE FINAL RF DATA SHEET FOR FINAL ANTENNA SETTINGS.

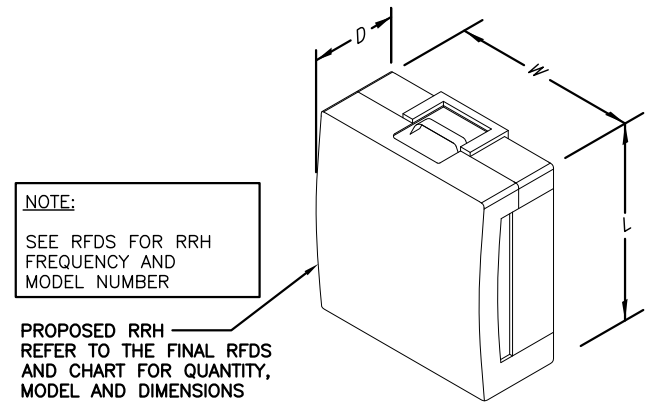
NOTE:
ALL ANTENNAS AND COAX TO BE INSTALLED IN ACCORDANCE WITH STRUCTURAL ANALYSIS PROVIDED BY CROWN CASTLE AND FINAL AT&T RF DATA SHEET.



PROPOSED ANTENNA & RRU MOUNTING DETAIL
22x34 SCALE: 3/4"=1'-0"
11x17 SCALE: 3/8"=1'-0"
1
A-3



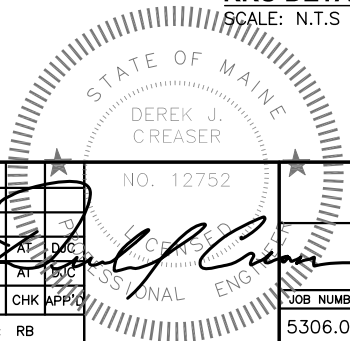
PROPOSED SURGE SUPPRESSOR
SCALE: N.T.S.
2
A-3



	L	W	D
RRUS - 11	19.7"	17.0"	7.2"
RRUS - 12	20.4"	18.5"	7.5"
RRUS - 32	26.7"	12.1"	6.7"
RRUS - E2	20"	20.4"	9.5"

NOTE:
MOUNT PER MANUFACTURER'S SPECIFICATIONS.

RRU DETAIL
SCALE: N.T.S.
3
A-3



1600 OSGOOD STREET
BUILDING 20 NORTH, SUITE 3090
N. ANDOVER, MA 01845
TEL: (978) 557-5553
FAX: (978) 336-5586



27 NORTHWESTERN DR.
SALEM, NH 03079

SITE NUMBER: ME5306
SITE NAME: SPRINT PORTLAND
CROWN ID: 878782
188 WARREN AVENUE
PORTLAND, ME 04103
CUMBERLAND COUNTY



550 COCHITUATE ROAD
FRMINGHAM, MA 01701

NO.	DATE	REVISIONS	BY	CHK	APP	JOB NUMBER	DRAWING NUMBER	REV
1	03/02/16	ISSUED FOR CONSTRUCTION	RB	AT	DC	5306.00	A-3	1
A	12/17/15	ISSUED FOR REVIEW	RB	AT	DC			
SCALE: AS SHOWN						DESIGNED BY: AT	DRAWN BY: RB	