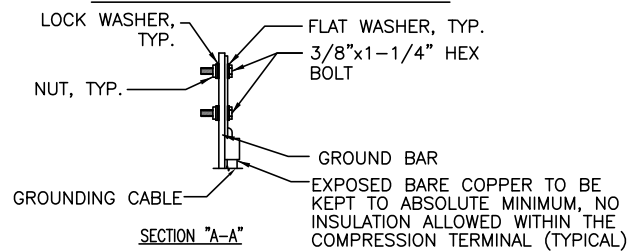
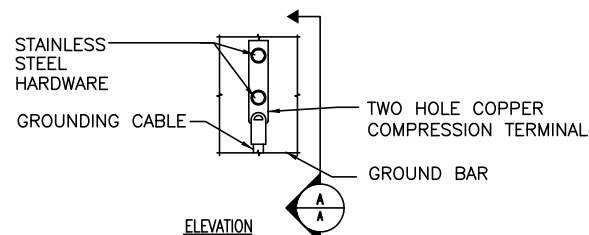


NOTE:

- DO NOT INSTALL CABLE GROUND KIT AT A BEND AND ALWAYS DIRECT GROUND WIRE DOWN TO CIGBE.

GROUND WIRE TO GROUND BAR CONNECTION DETAIL

1
-
N.T.S.

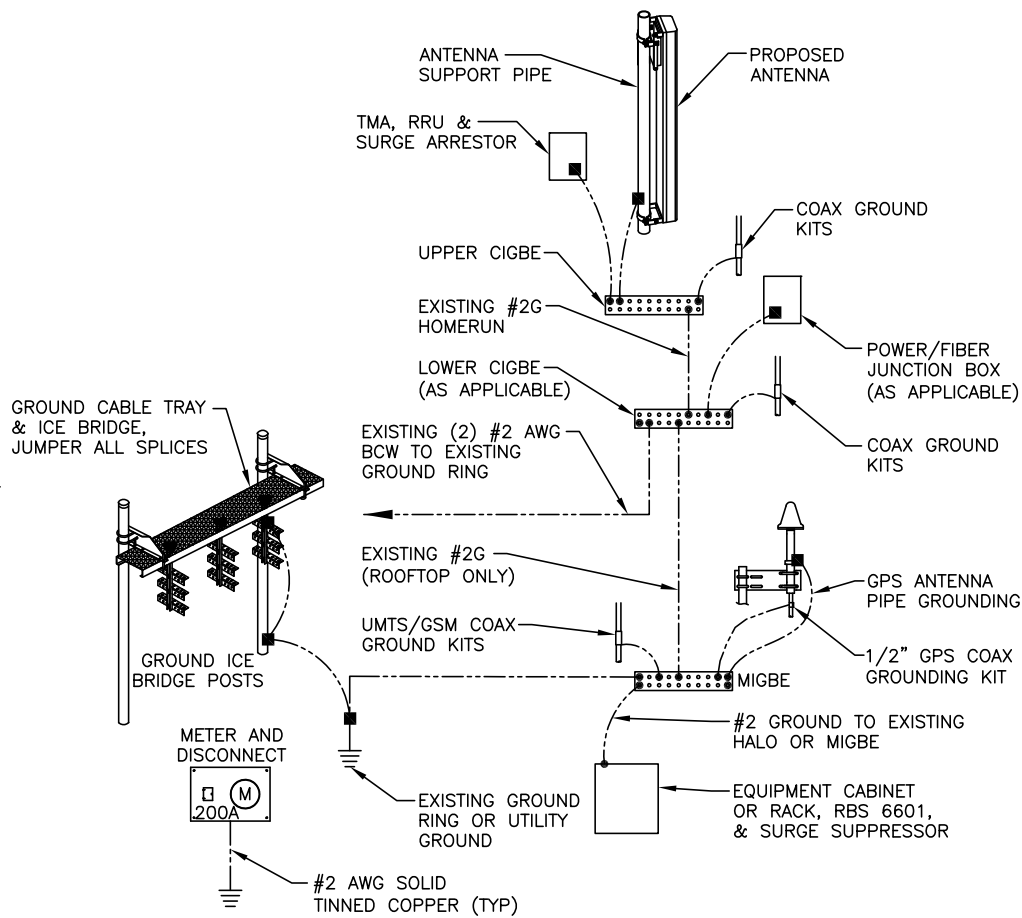


NOTE:

- "DOUBLING UP" OR "STACKING" OF CONNECTION IS NOT PERMITTED.
- OXIDE INHIBITING COMPOUND TO BE USED AT ALL LOCATIONS.
- CADWELD DOWNLEADS FROM UPPER EGB, LOWER EGB, AND MGB.

TYPICAL GROUND BAR CONNECTION DETAIL

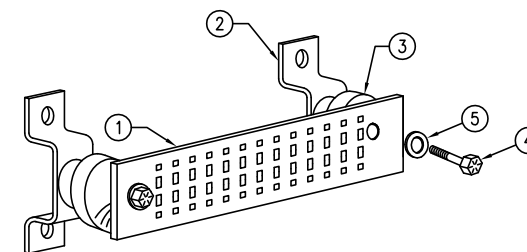
4
-
N.T.S.



GROUNDING RISER DIAGRAM

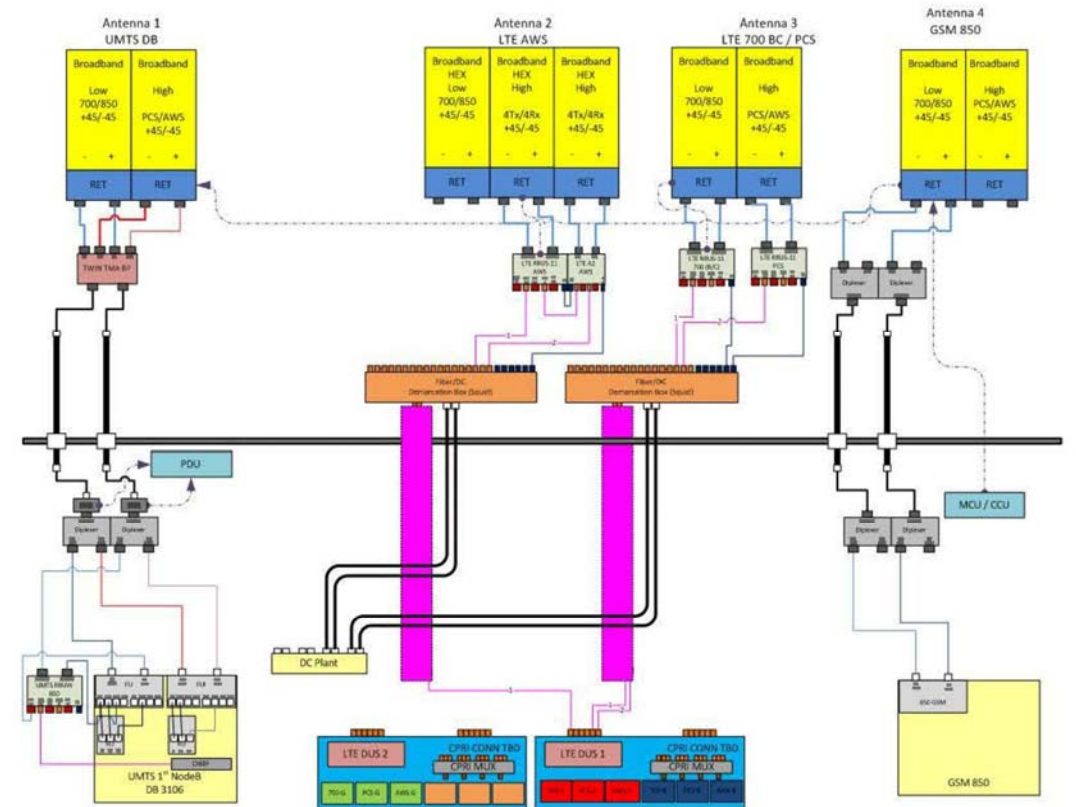
2
-
N.T.S.

WIRELESS SOLUTIONS INC.			
NO.	REQ.	PART NO.	DESCRIPTION
①	1	HLGB-0420-IS	SOLID GND. BAR (20"x4"x1/4")
②	2		WALL MTG. BRKT.
③	2		INSULATORS
④	4		5/8"-11x1" H.H.C.S.
⑤	4		5/8 LOCKWASHER



GROUND BAR - DETAIL

5
-
N.T.S.



PLUMBING DIAGRAM

3
-
N.T.S.

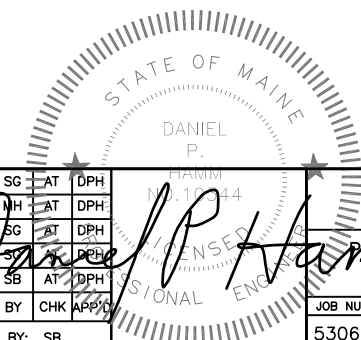
EACH GROUND CONDUCTOR TERMINATING ON ANY GROUND BAR SHALL HAVE AN IDENTIFICATION TAG ATTACHED AT EACH END THAT WILL IDENTIFY ITS ORIGIN AND DESTINATION.

SECTION "P" - SURGE PRODUCERS

- CABLE ENTRY PORTS (HATCH PLATES) (#2)
- GENERATOR FRAMEWORK (IF AVAILABLE) (#2)
- TELCO GROUND BAR
- COMMERCIAL POWER COMMON NEUTRAL/GROUND BOND (#2)
- +24V POWER SUPPLY RETURN BAR (#2)
- 48V POWER SUPPLY RETURN BAR (#2)
- RECTIFIER FRAMES.

SECTION "A" - SURGE ABSORBERS

- INTERIOR GROUND RING (#2)
- EXTERNAL EARTH GROUND FIELD (BURIED GROUND RING) (#2)
- METALLIC COLD WATER PIPE (IF AVAILABLE) (#2)
- BUILDING STEEL (IF AVAILABLE) (#2)



NO.	DATE	REVISIONS	BY	CHK	APP
3	04/29/15	ISSUED FOR CONSTRUCTION	SG	AT	DPH
2	01/26/15	ISSUED FOR CONSTRUCTION	NH	AT	DPH
1	01/14/14	ISSUED FOR CONSTRUCTION	SG	AT	DPH
0	12/27/13	ISSUED FOR REVIEW	SG	AT	DPH
A	11/20/13	ISSUED FOR REVIEW	SB	AT	DPH

SCALE: AS SHOWN DESIGNED BY: AT DRAWN BY: SB

JOB NUMBER		DRAWING NUMBER		REV
5306.02		G-1		3

AT&T
PLUMBING DIAGRAM & GROUNDING DETAILS
(CSOF-V1)