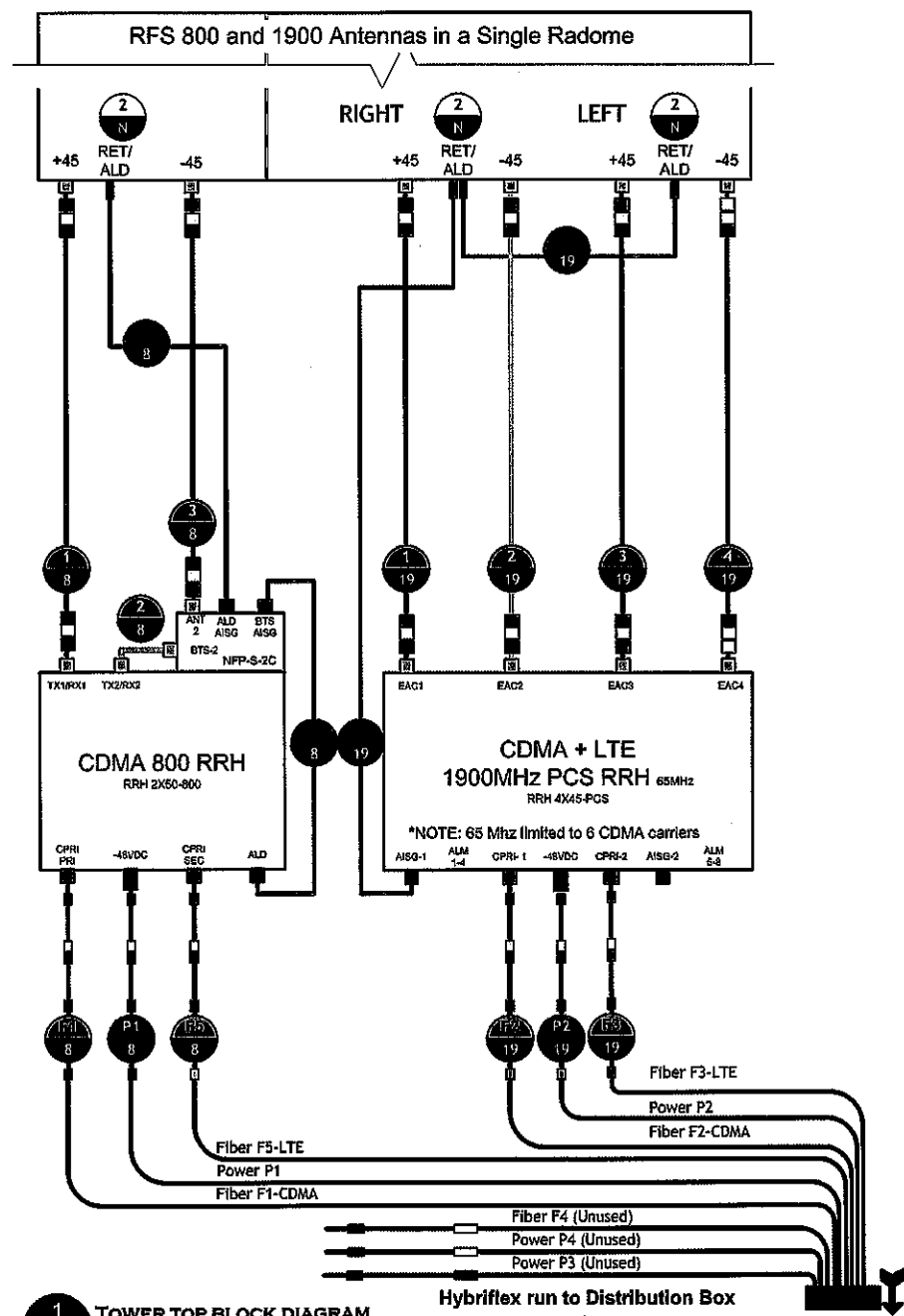


SCENARIO 103\_v2.4



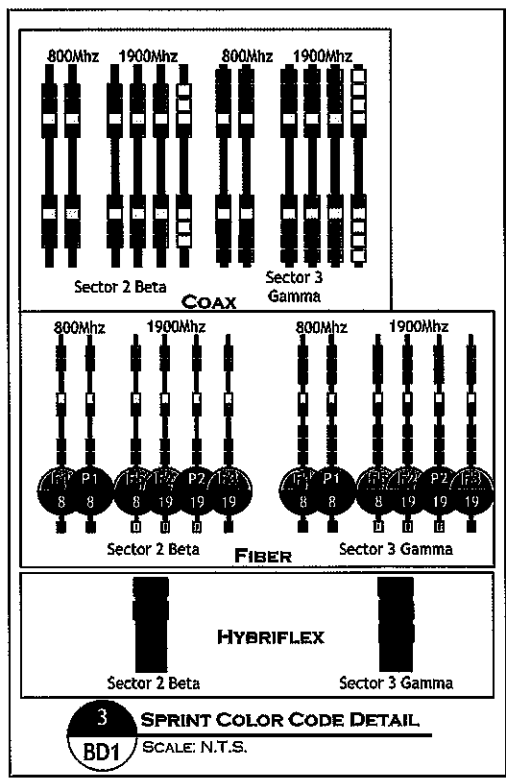
**1 TOWER TOP BLOCK DIAGRAM**  
SCALE: N.T.S.

**IMPORTANT:**  
GENERAL CONTRACTOR/TOWER CREW SHALL VERIFY THAT THE LATEST NETWORK VISION RAN CONNECTION DIAGRAMS ARE USED FOR EQUIPMENT INSTALLATION

**IMPORTANT:**  
VELCRO STRAPS ONLY MAY BE USED ON FIBER. CABLE TIES OR TIE WRAP MUST NOT BE USED ON FIBER.

**Power Feed Polarity Definition:**  
IF WIRES ARE BLACK AND BLACK/WHITE STRIPE:  
 ■ Black = -48VDC Feed (Battery)  
 ■ Black/White Stripe = Return  
  
 IF WIRES ARE RED AND BLACK:  
 ■ Red = -48VDC Feed (Battery)  
 ■ Black = Return  
  
**NOTE:** For power feed use the same Hybriflex OEM color designator as the fiber.  
  
 ■ MM Pair 1 = F1 = Green = P1 (Green)  
 ■ MM Pair 2 = F2 = Blue = P2 (Blue)  
 ■ MM Pair 3 = F3 = Red = P3 (Red)  
 ■ MM Pair 4 = F4 = Yellow = P4 (Yellow)  
 ■ MM Pair 5 = F5 = Orange = (No P5 power feed)  
  
**2 HYBRIFLEX OEM COLOR CODE**  
SCALE: N.T.S.

**COAX FIBER POWER NOTES**  
 0  
 0  
 0  
 0  
**FREQ**  
 4  
**DIAGRAM LEGEND**  
 BD1 SCALE: N.T.S.



**Sprint**  
VISION  
NETWORK VISION MMIBTS LAUNCH  
1 INTERNATIONAL BLVD, SUITE 600  
MAHWAH, NJ 07495  
TEL: (800) 357-7641

**CROWN CASTLE**  
CROWN CASTLE  
500 WEST CUMMINGS PARK, SUITE 3600  
WORBURN, MA 01801

**Hudson Design Group LLC**  
1400 OSGOOD STREET  
BUILDING 20 NORTH, SUITE 3090  
N. ANDOVER, MA 01845  
TEL: (978) 557-5553  
FAX: (978) 336-5586

STATE OF MAINE  
JAN 11 2013  
Daniel P. Hammon  
LICENSED PROFESSIONAL ENGINEER

CHECKED BY: JX

APPROVED BY: DPH

**SUBMITTALS**

REV.	DATE	DESCRIPTION	BY
4	05/29/13	ISSUED FOR CONSTRUCTION	SR
3	03/28/13	ISSUED FOR CONSTRUCTION	SF
2	03/15/13	ISSUED FOR CONSTRUCTION	BR
1	11/6/12	ISSUED FOR REVIEW	TH

SITE NUMBER:  
NM03XC066  
  
 SITE NAME:  
PORTLAND  
WARREN AVE.  
  
 SITE ADDRESS:  
180 WARREN AVENUE  
PORTLAND, ME 04103

SHEET TITLE  
WIRING DIAGRAM

SHEET NUMBER  
A-5