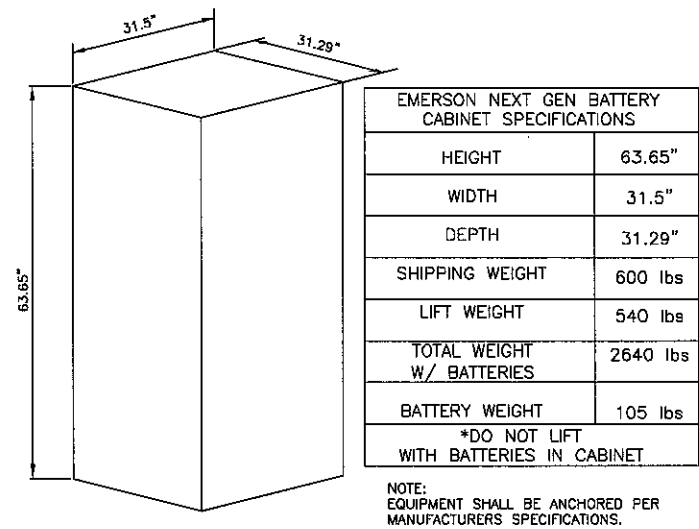


ALCATEL-LUCENT 9927/9928 OUTDOOR CABINET

SCALE: N.T.S.

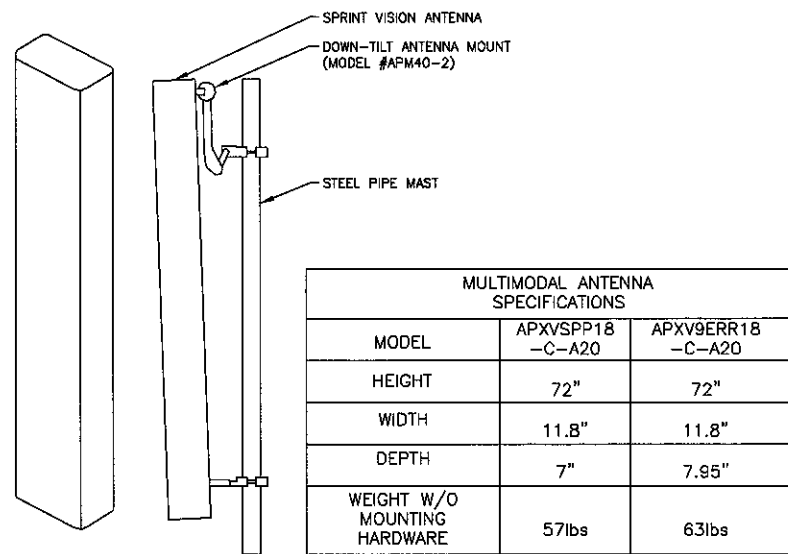
1
A-3



BATTERY BACK-UP CABINET

SCALE: N.T.S.

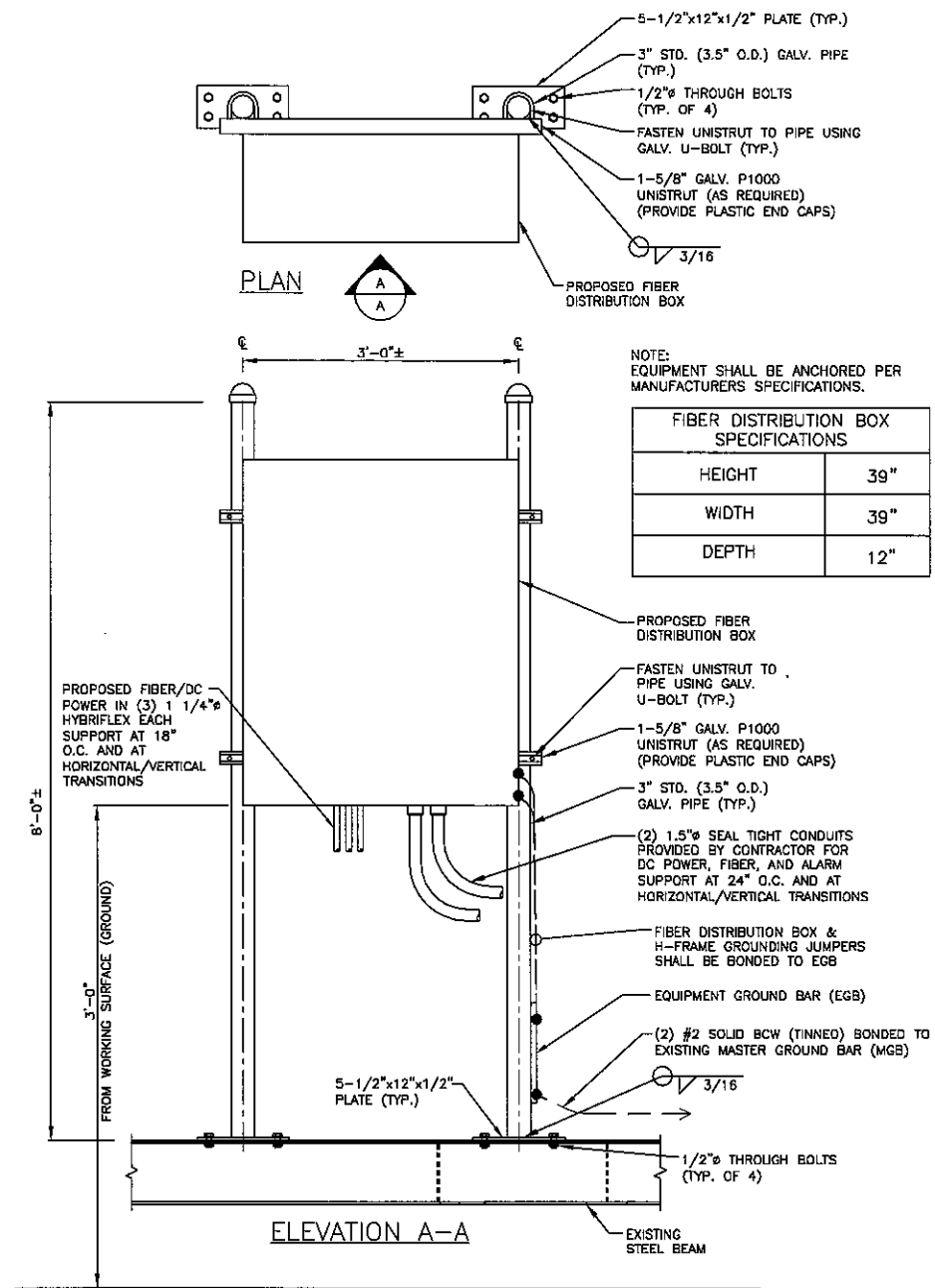
2
A-3



MULTIMODAL ANTENNA DETAIL

SCALE: N.T.S.

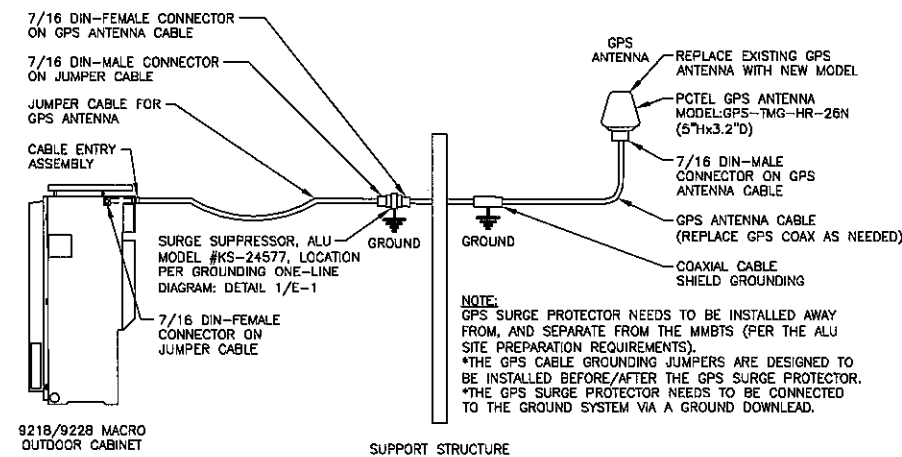
3
A-3



FIBER DISTRIBUTION BOX

SCALE: N.T.S.

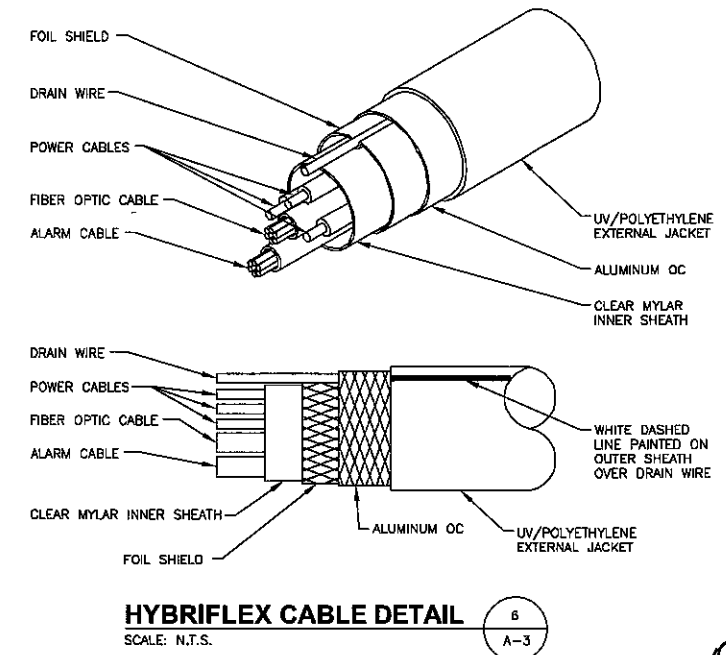
4
A-3



GPS ANTENNA DETAIL

SCALE: N.T.S.

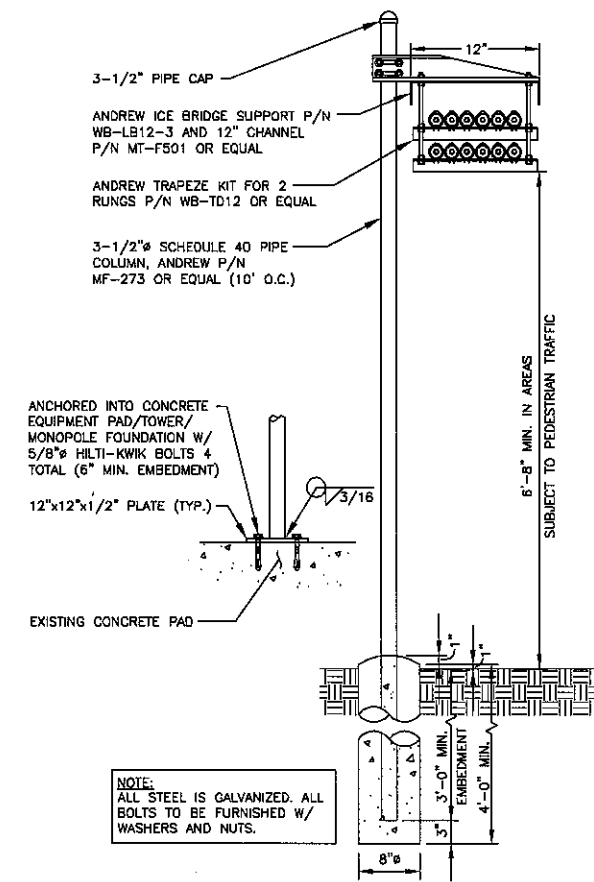
5
A-3



HYBRIFLEX CABLE DETAIL

SCALE: N.T.S.

6
A-3



COAX ICE BRIDGE DETAIL

SCALE: N.T.S.

7
A-3

Sprint
VISION
NETWORK VISION MMBTS LAUNCH
1 INTERNATIONAL BLVD, SUITE 600
HAHWAH, NJ 07495
TEL: (800) 357-7641

CROWN CASTLE
CROWN CASTLE
500 WEST CUMMINGS PARK, SUITE 3600
WORCUM, MA 01801

Hudson Design Group LLC

1600 OSGOOD STREET
BUILDING 20 NORTH, SUITE 3090
N. ANDOVER, MA 01845
TEL: (978) 557-5553
FAX: (978) 336-5586



CHECKED BY: JX

APPROVED BY: DPH

SUBMITTALS

REV.	DATE	DESCRIPTION	BY
4	05/29/13	ISSUED FOR CONSTRUCTION	SR
3	03/28/13	ISSUED FOR CONSTRUCTION	SF
2	03/15/13	ISSUED FOR CONSTRUCTION	BR
1	11/5/12	ISSUED FOR REVIEW	TH

SITE NUMBER:
NMO3XC066

SITE NAME:
PORTLAND
WARREN AVE.

103 SITE ADDRESS:
WARREN AVENUE
PORTLAND, ME 04103

SHEET TITLE

DETAILS

SHEET NUMBER

A-3