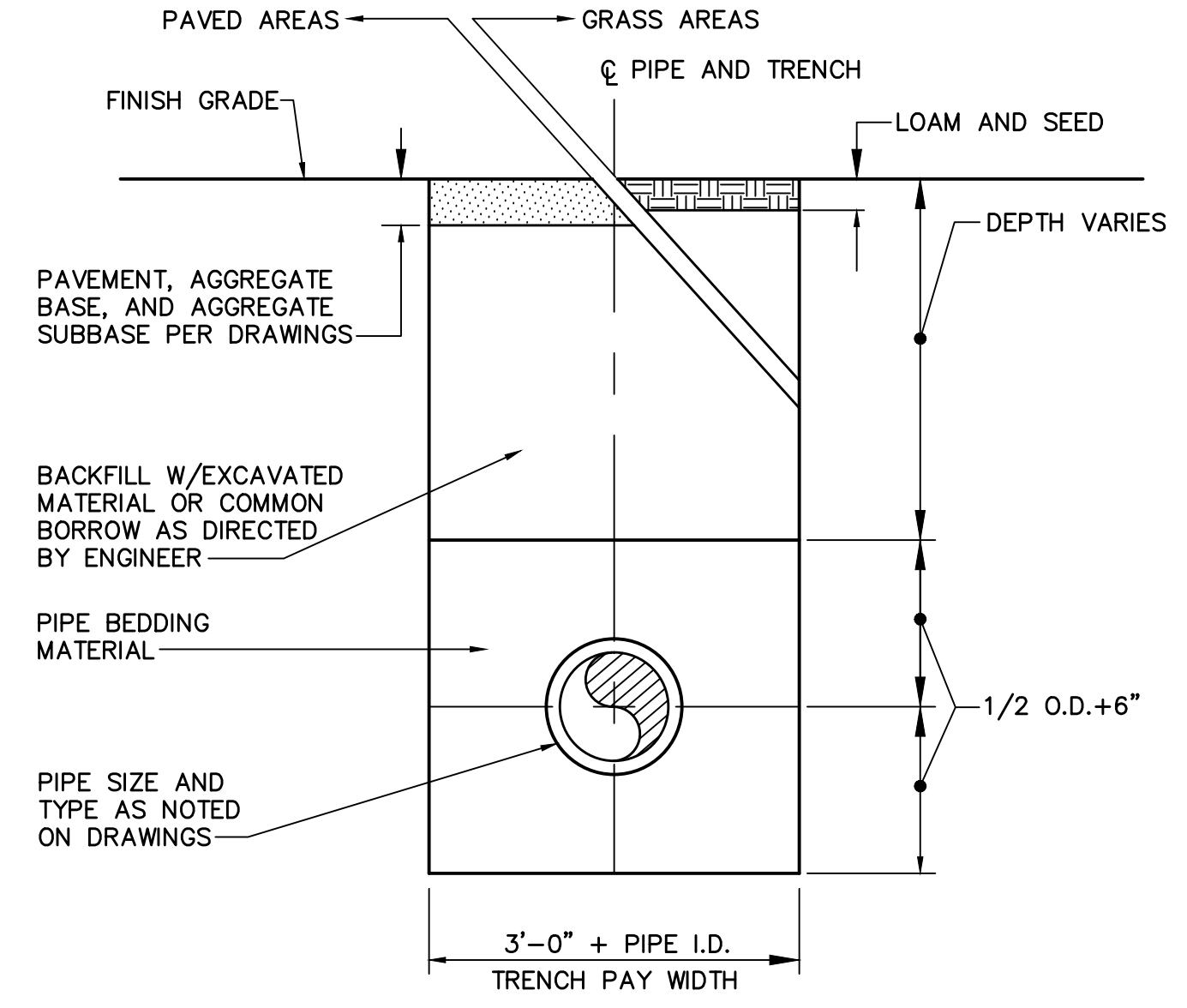
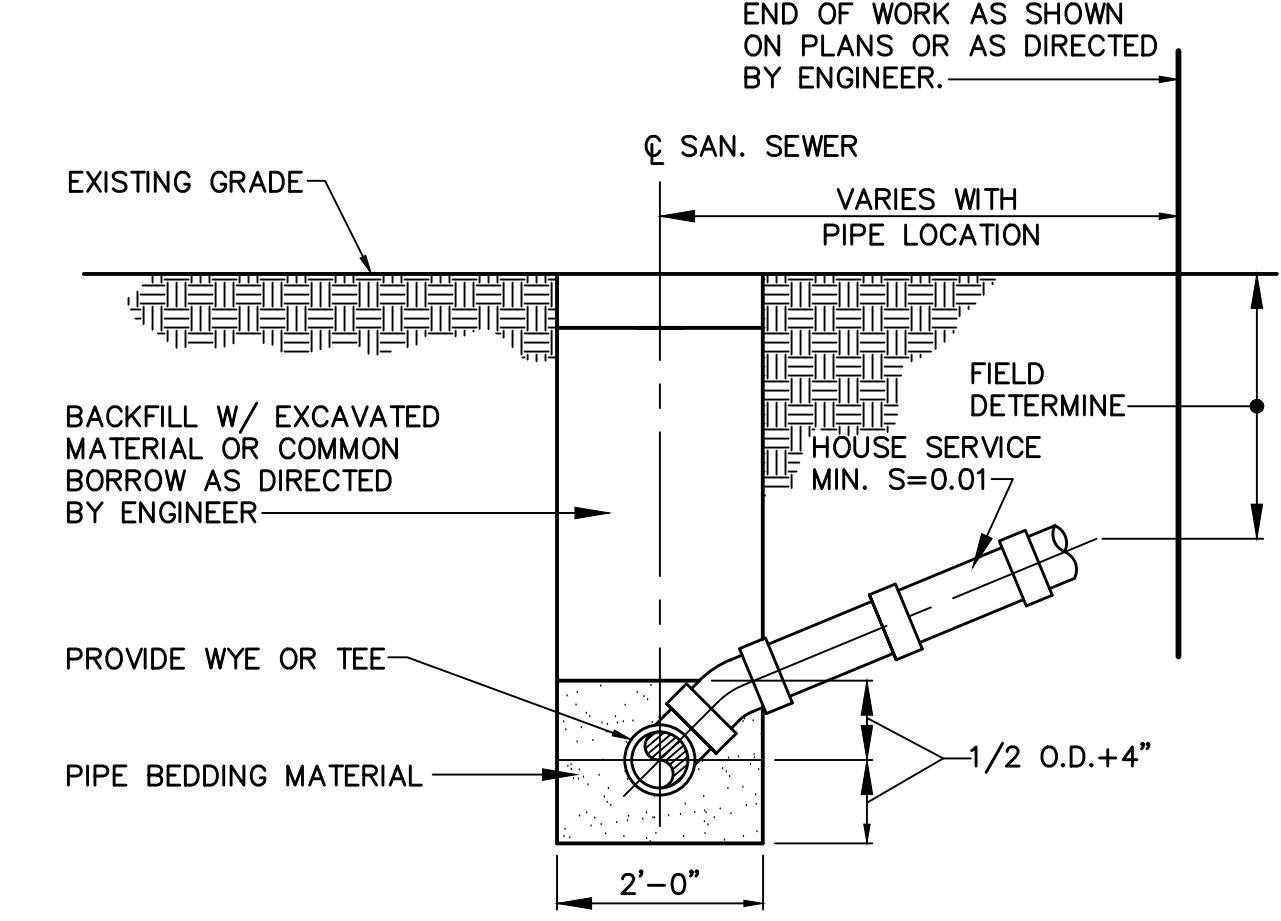


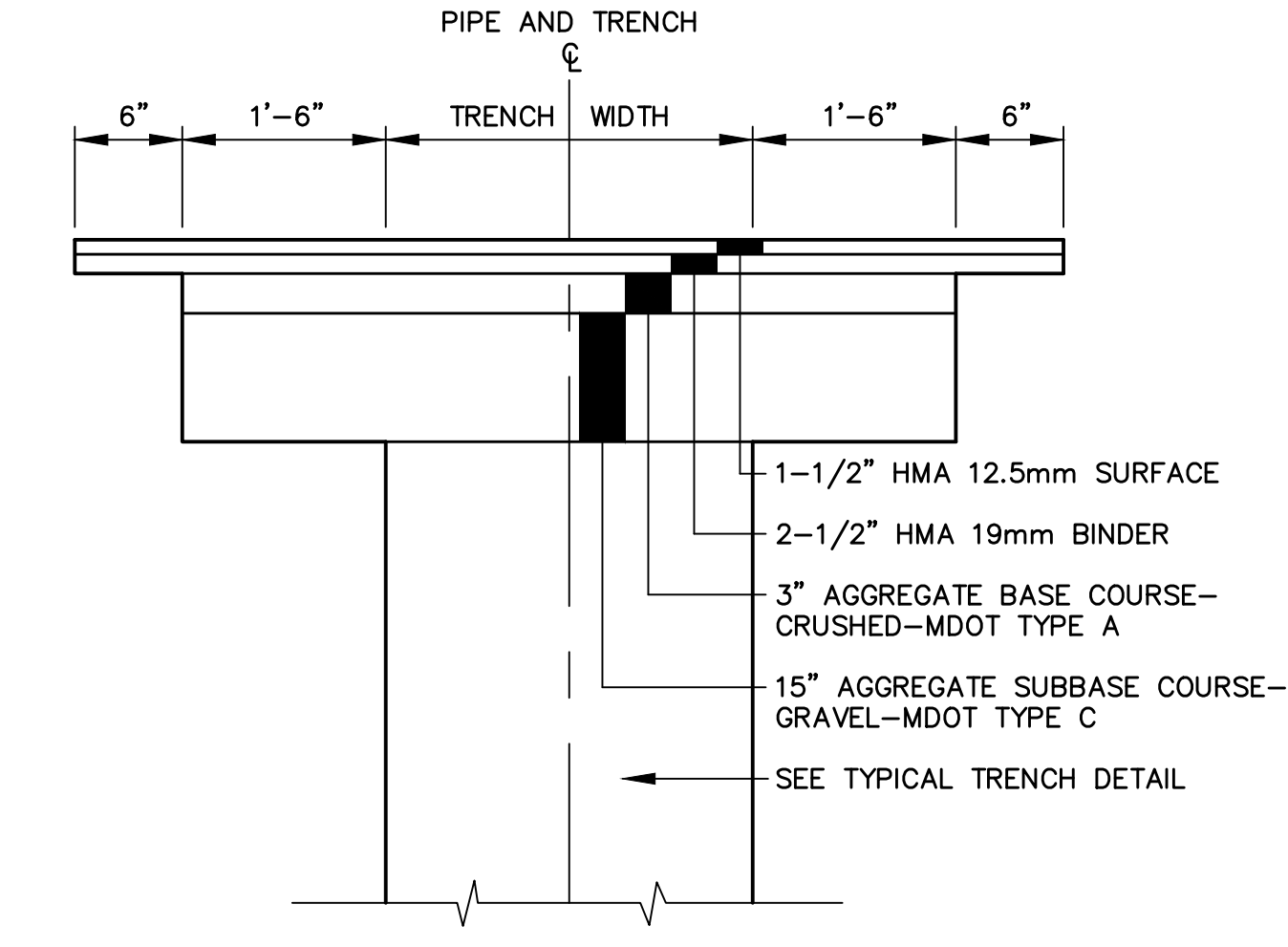
UNDERGROUND UTILITY TRENCH DETAIL
NOT TO SCALE



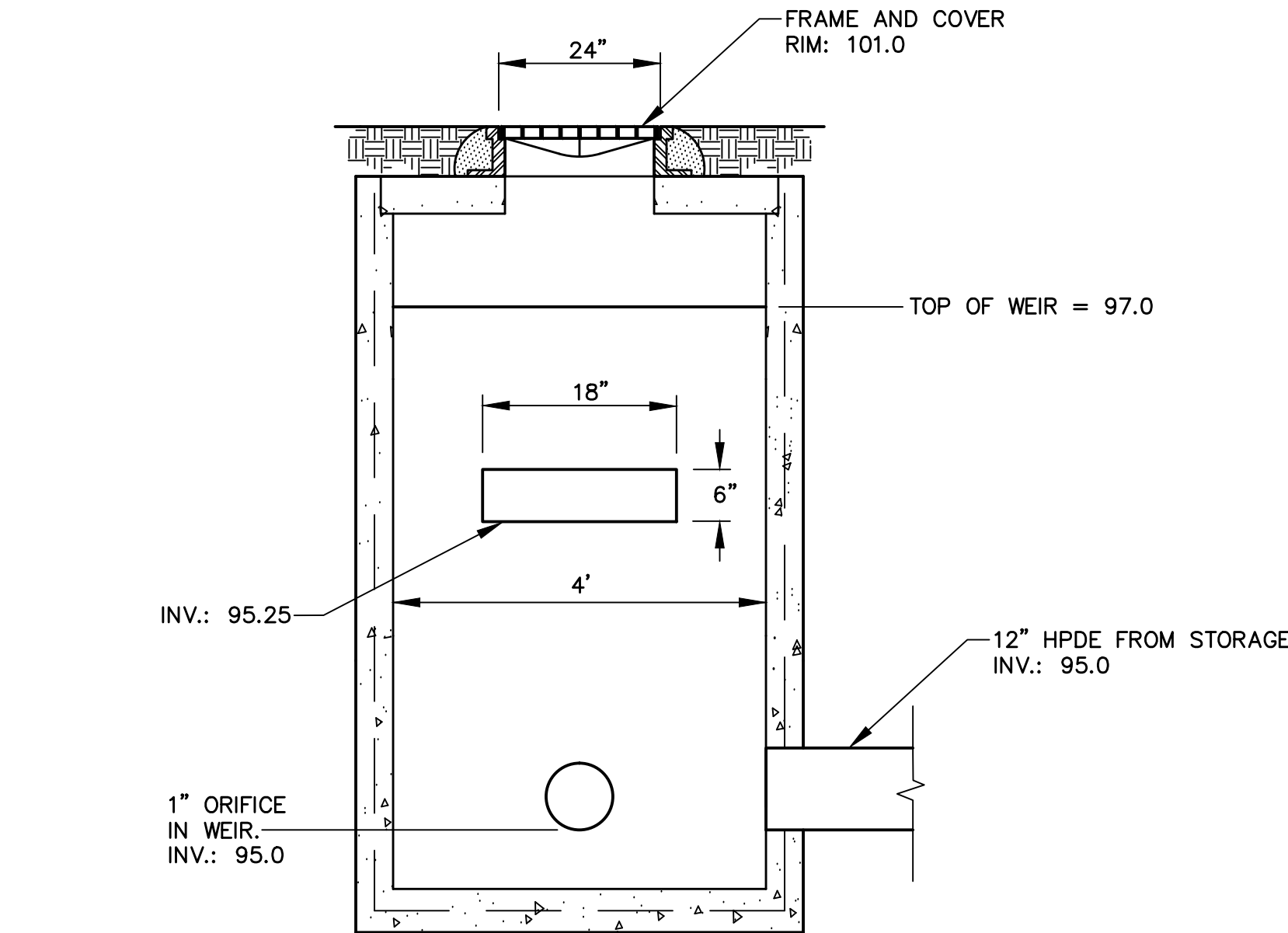
TYPICAL WATER SERVICE / SANITARY TRENCH DETAIL
NOT TO SCALE



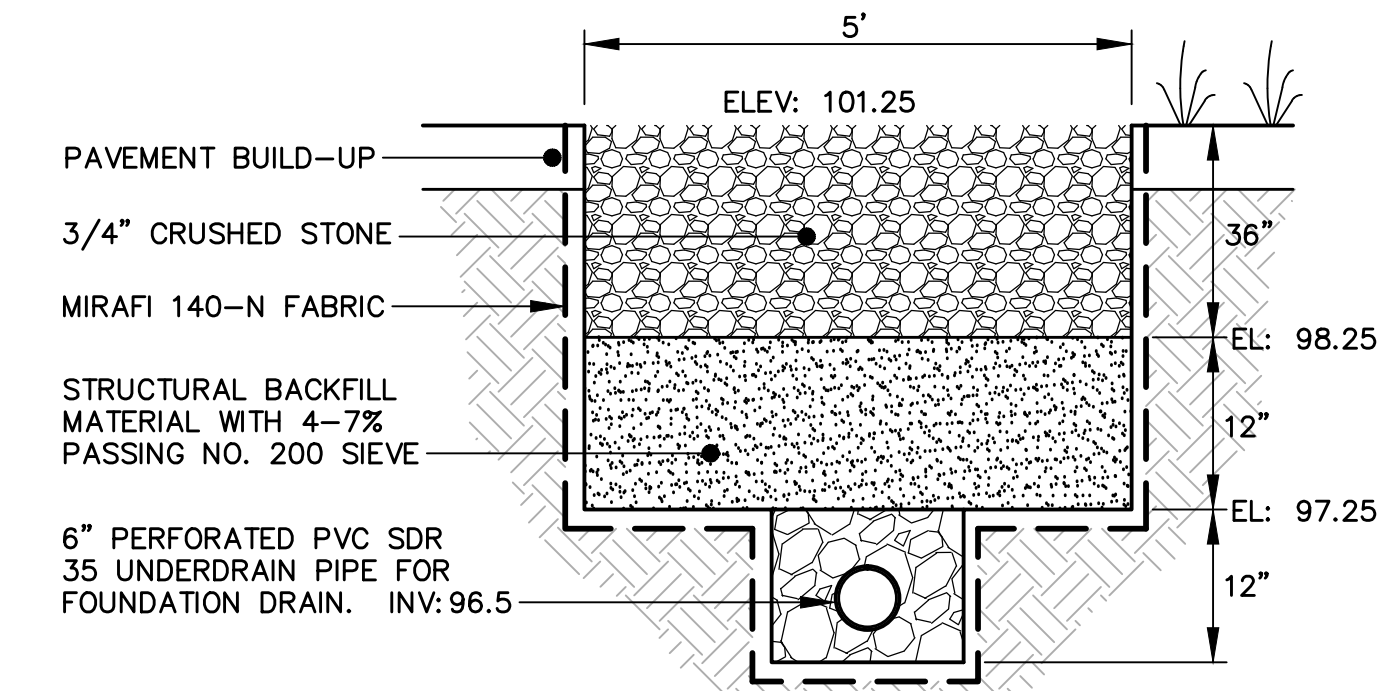
TYPICAL TRENCH SECTION BUILDING CONSTRUCTION
NOT TO SCALE



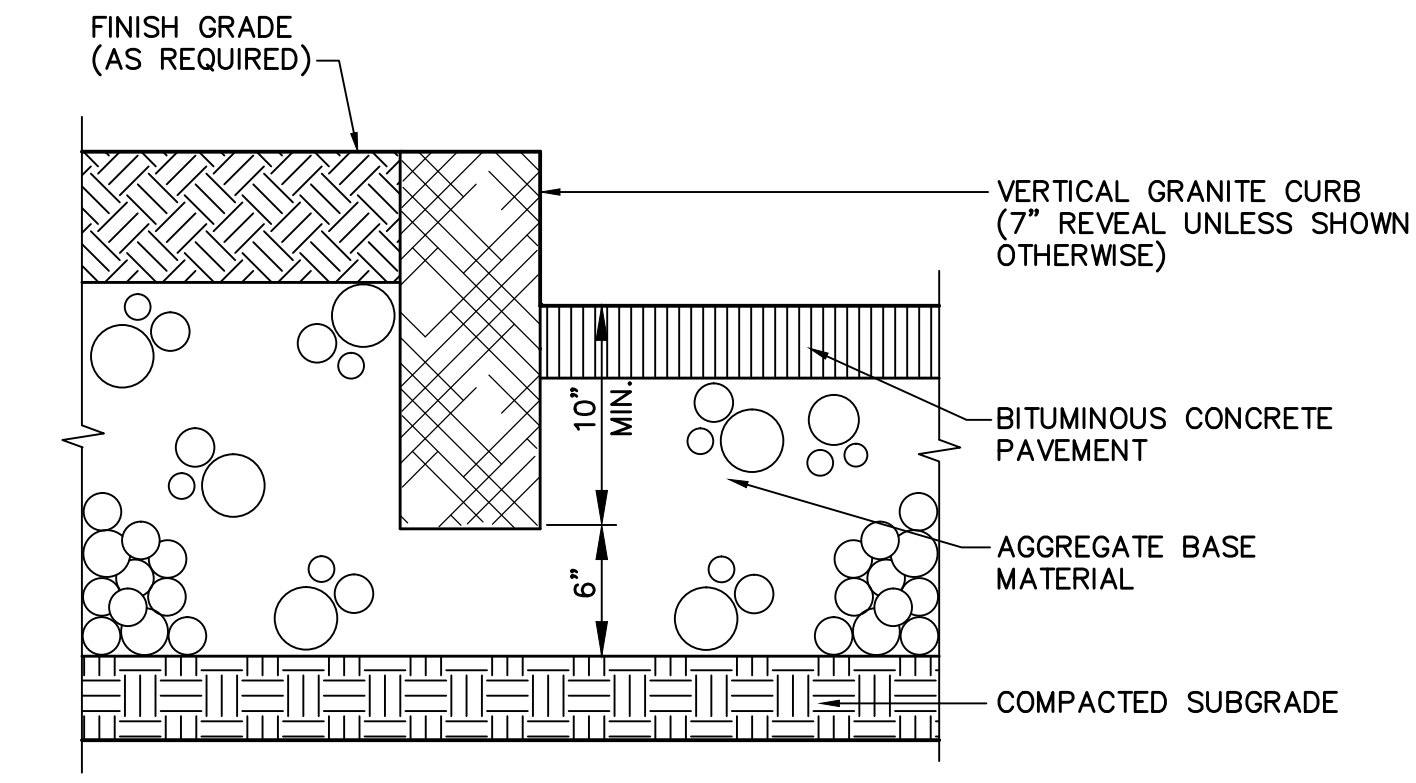
TYPICAL TRENCH PAVING DETAIL
NOT TO SCALE



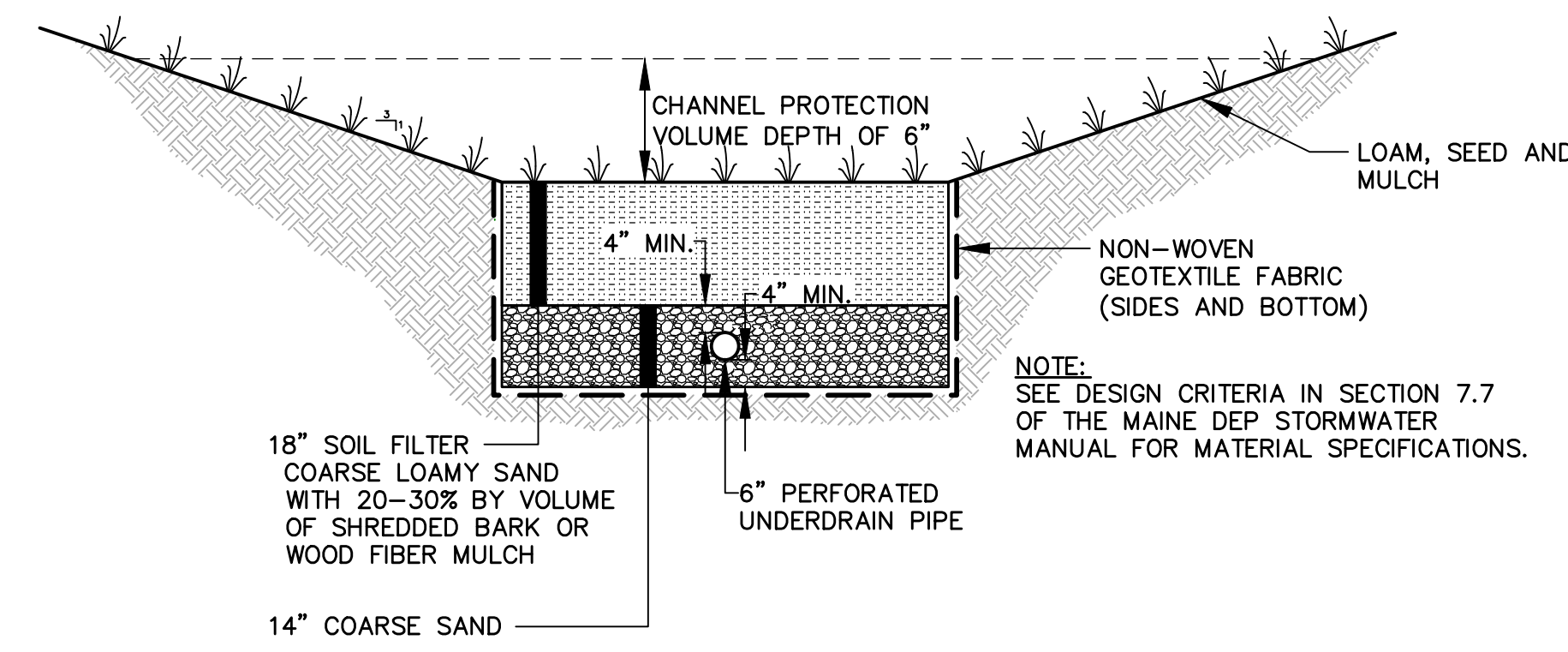
OUTLET CONTROL STRUCTURE
NOT TO SCALE



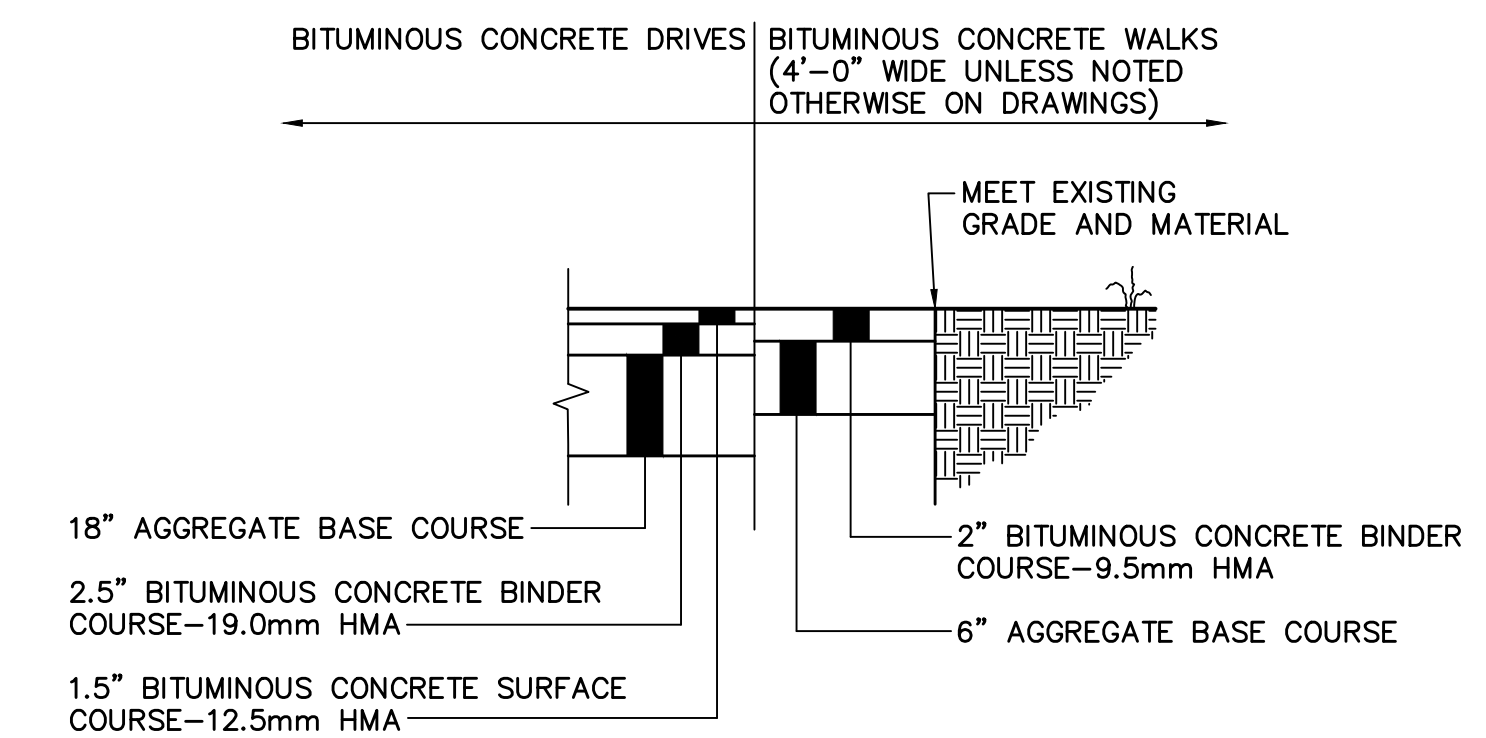
PARKING LOT FILTER WITH UNDERDRAIN DETAIL
NOT TO SCALE



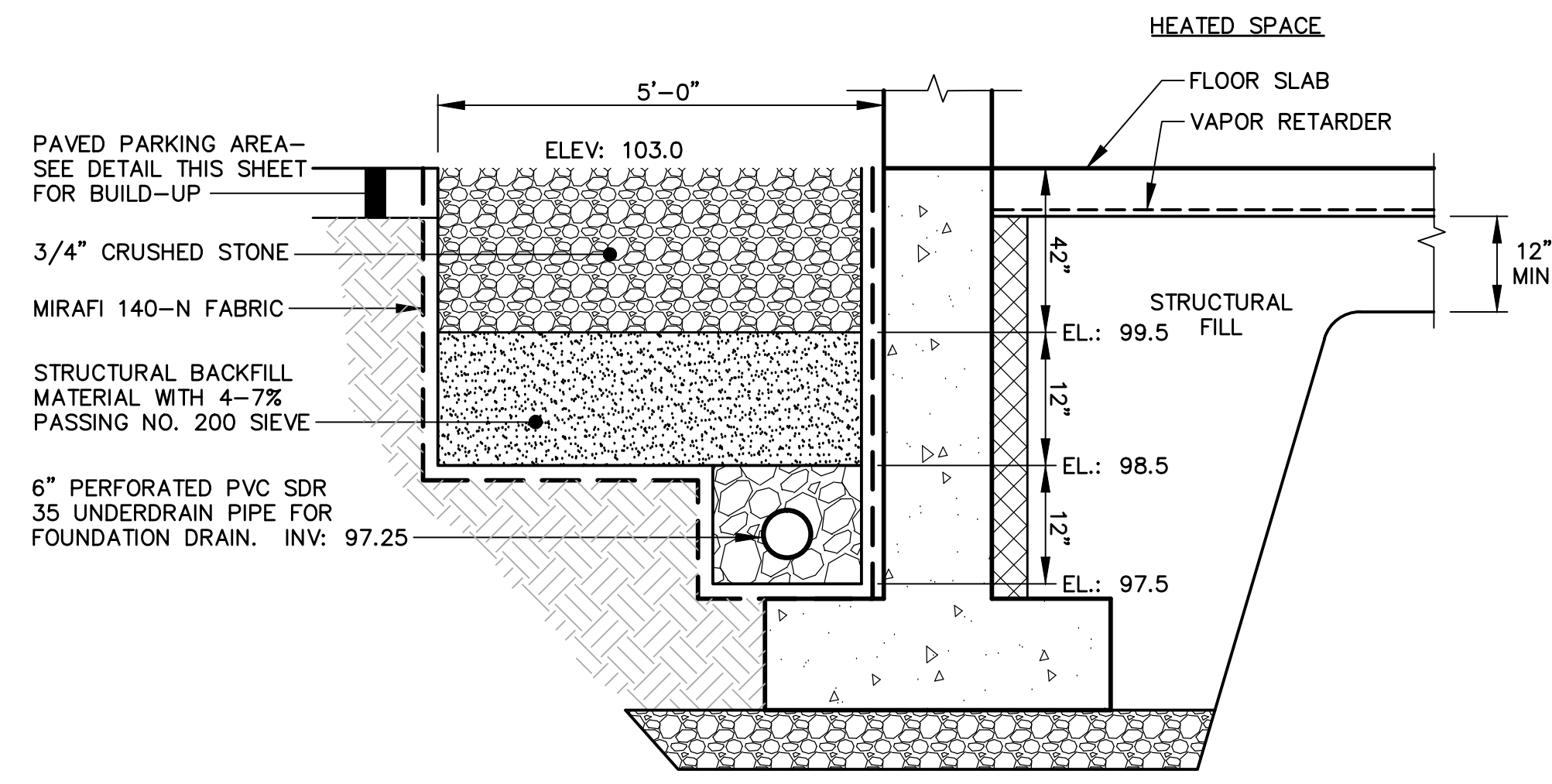
VERTICAL GRANITE CURBING
NOT TO SCALE



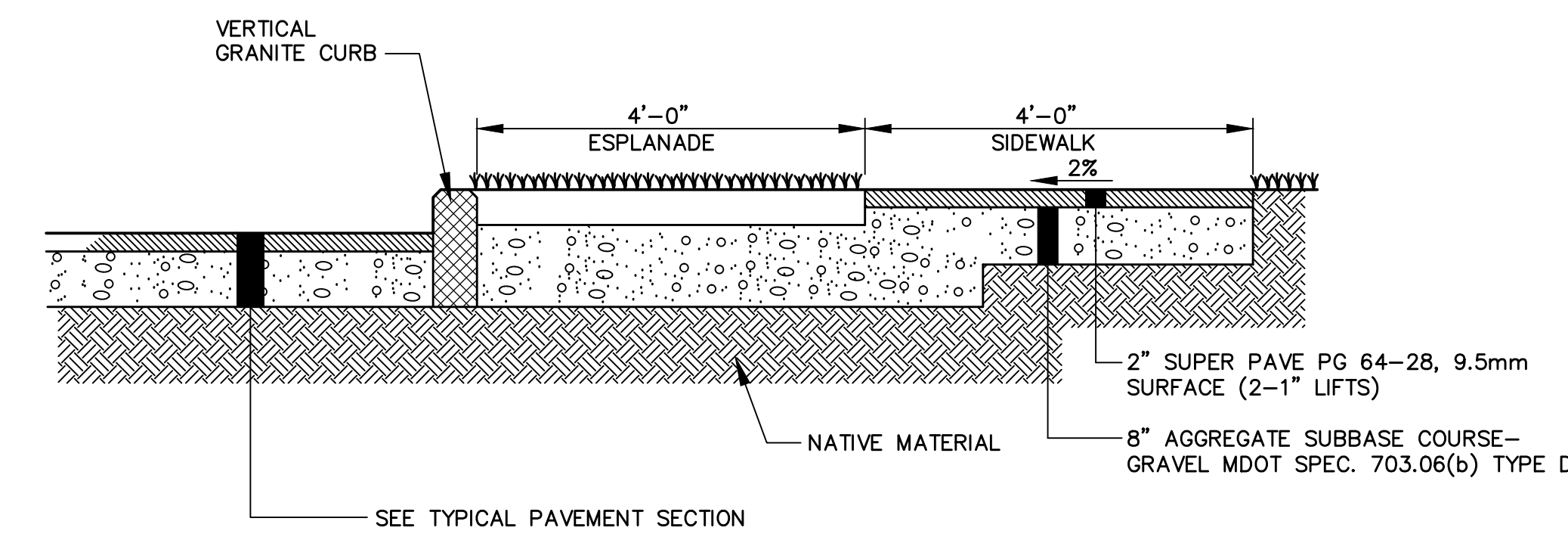
UNDERDRAIN SOIL FILTER DETAIL
NOT TO SCALE



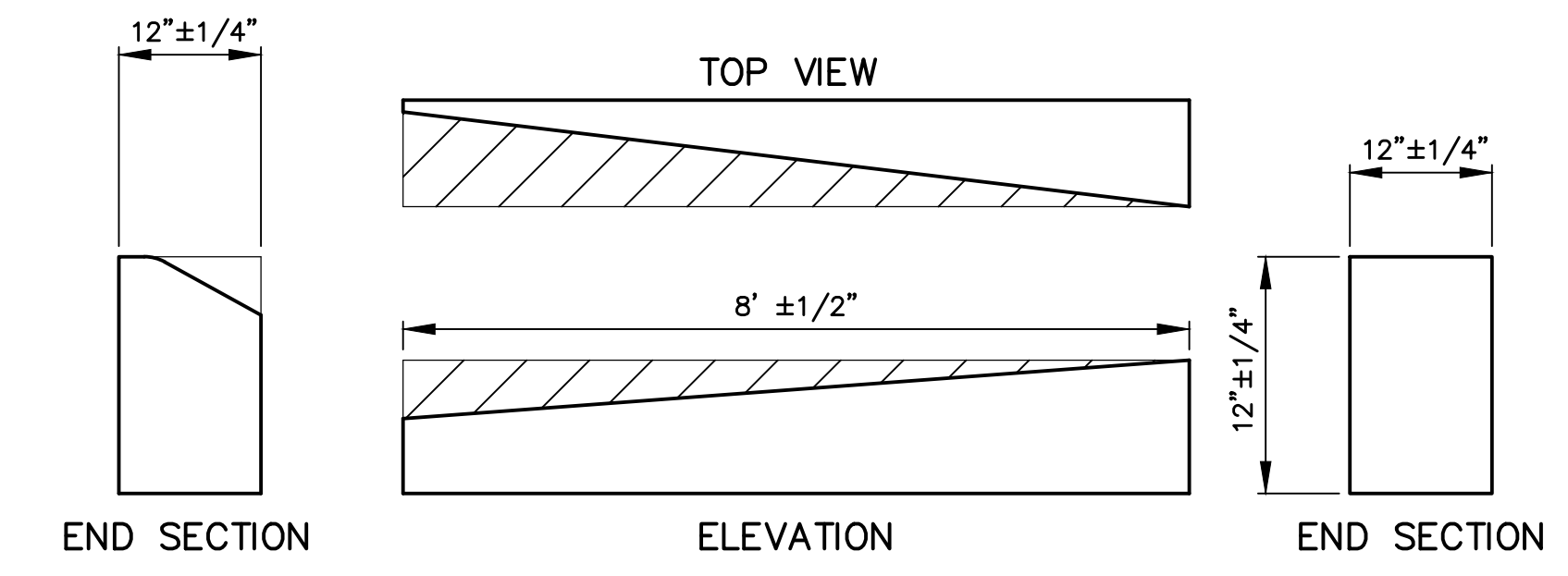
TYPICAL SIDEWALK/DRIVEWAY (NEW/REPLACEMENT)
NOT TO SCALE



ROOF DRIPLINE FILTER DETAIL
NOT TO SCALE



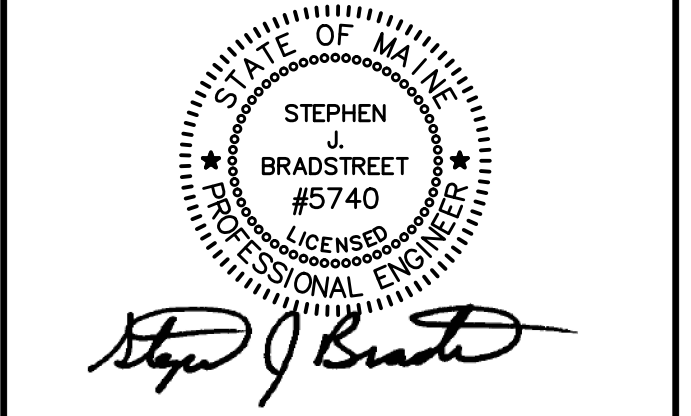
TYPICAL SIDEWALK SECTION
NOT TO SCALE



GRANITE TRANSITION CURB DETAIL
NOT TO SCALE

Site: **PROPOSED BUILDING ACADEMY FOR ACTIVE LEARNERS**
134 WARREN AVENUE
PORTLAND, MAINE

Prepared for: **DELTA REALTY**
380 WARREN AVENUE
PORTLAND, MAINE



CIVIL ENGINEER:
STEPHEN J. BRADSTREET, PE #5740
400 COMMERCIAL STREET, SUITE 404
PORTLAND, ME 04101
207-772-2891

RANSOM
Consulting Engineers and Scientists

400 Commercial Street, Suite 404
Portland, ME 04101
Tel. (207) 772-2891
Fax (207) 772-3248
www.ransomenv.com

CONSTRUCTION DETAILS

Design by:	MPM	Checked by:	SJB
Drawn by:	JAR	Approved by:	SJB
Project:	151.06127	Date:	OCTOBER 2015

Sheet No: **C-103**
Sheet 6 of 7