

# ***SUBMITTAL***

*Job Title:*           **ACADEMY OF ACTIVE LEARNERS**

*Elevation: (ft)*    62

*Date:*             03/15/16

*Submitted By:*   Ed Sawyer

**BUCKLEY ASSOCIATES INC**

510 MAIN ST

GORHAM , ME 04038

US

Phone: (207)773-0078

Fax:     (207)773-0074

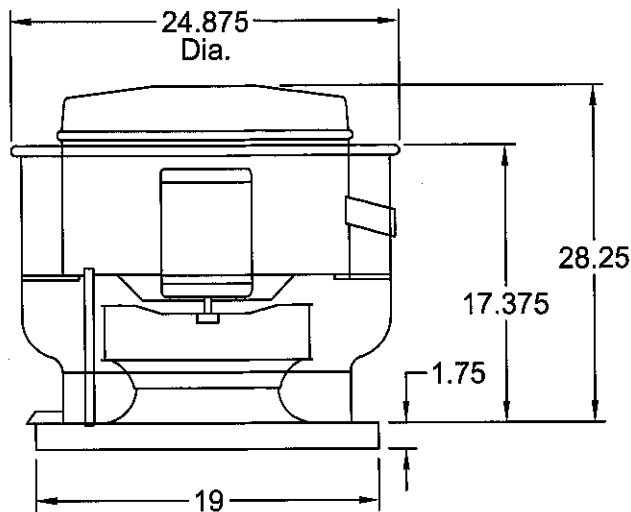
Email Address: [esawyer@buckleyonline.com](mailto:esawyer@buckleyonline.com)



P.O. Box 410   Schofield, WI 54476   (715) 359-6171   FAX (715) 355-2399   [www.greenheck.com](http://www.greenheck.com)

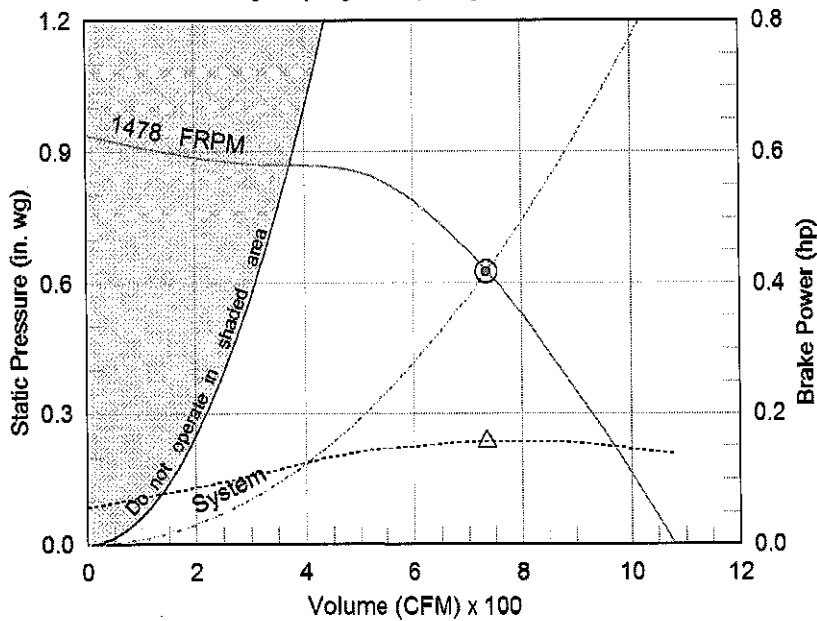
**Model: CUE-099-A**  
Direct Drive Upblast Centrifugal Roof Exhaust Fan

Dimensional	
Quantity	1
Weight w/o Acc's (lb)	45
Weight w/ Acc's (lb)	88
Max T Motor Frame Size	56
Roof Opening (in.)	14.5 x 14.5



\*Overall height may be greater depending on motor

Performance	
Requested Volume (CFM)	735
Actual Volume (CFM)	735
External SP (in. wg)	0.625
Total SP (in. wg)	0.625
Fan RPM	1478
Operating Power (hp)	0.16
Elevation (ft)	62
Airstream Temp. (F)	70
Air Density (lb/ft <sup>3</sup> )	0.075
Tip Speed (ft/min)	4,328
Static Eff. (%)	46



- △ Operating Bhp point
- Operating point at Total SP
- Operating point at External SP
- Fan curve
- System curve
- Brake horsepower curve

Motor	
Motor Mounted	Yes
Size (hp)	1/4
Voltage/Cycle/Phase	115/60/1
Enclosure	ODP
Motor RPM	1725
Windings	1
NEC FLA* (Amps)	5.8

**Notes:**

All dimensions shown are in units of in.  
\*FLA - based on tables 150 or 148 of National Electrical Code 2002. Actual motor FLA may vary, for sizing thermal overload, consult factory.  
LwA - A weighted sound power level, based on ANSI S1.4 dBA - A weighted sound pressure level, based on 11.5 dB attenuation per Octave band at 5 ft - dBA levels are not licensed by AMCA International  
Sones - calculated using AMCA 301 at 5 ft

**Sound Power by Octave Band**

Sound Data	62.5	125	250	500	1000	2000	4000	8000	LwA	dBA	Sones
Inlet	72	71	71	66	62	60	56	47	69	57	8.5



## Model: CUE-099-A

Direct Drive Upblast Centrifugal Roof Exhaust Fan

### Standard Construction Features:

- Aluminum housing - Backward inclined aluminum wheel - Aluminum curb cap with prepunched mounting holes - Drain trough - Ball bearing motors (sizes 98-160), sleeve bearing motors (sizes 60-95) - Motor isolated on shock mounts - Corrosion resistant fasteners

### Selected Options & Accessories:

PSC Motor  
UL/cUL 762 Listed - "Power Ventilators for Rest. Exh. Appliances"  
Switch, NEMA-1, Toggle, Shipped with Unit  
Junction Box Mounted & Wired  
Roof Curb-Galv., GPI-19-G12, Under Sized 1.5 in. Total  
Curb Extension-Galv., VCE-19-G15.25  
Hinged Base (Attached)  
Curb Seal (Attached)  
Solid State Speed Control, 6 Amp, Shipped Loose  
Grease Trap (PN 475538)  
Unit Warranty: 1 Yr (Standard)

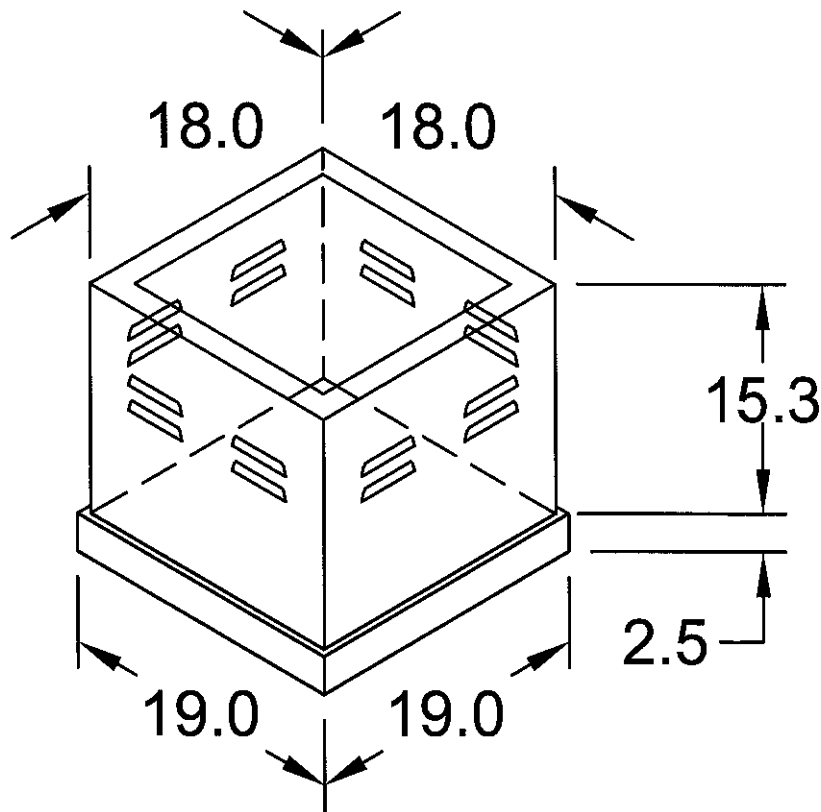
## Vented Curb Extension

Model: VCE

### Standard Construction Features:

- Curb Extension mounts between the fan and the roof curb - Constructed of either 18 ga galvanized or optional 0.064 in. aluminum - Louvered vents are designed to vent heat in restaurant exhaust applications - Designed to provide required 18 in. minimum discharge height above roof line when used with an 8 in. high roof curb and Greenheck model spun aluminum upblast exhaust fan per NFPA 96.

NOTE: Damper Trays are not available.



ISOMETRIC VIEW

Notes: All dimensions shown are in units of in.

**GHEW Type 1, Baffle Filter Single Wall - Exhaust Only Wall Canopy**

Model	Hood Length (in.)	Width (in.)	Bottom Width (in.)	Height (in.)		Exhaust Volume (CFM)	Exhaust SP (in. w.g.)	Double Island
				Front	Back			
GHEW	42	39	39	24	24	735	0.402	No

**Selected Options & Accessories:**

Option or Accessory	Description
Mounting Height	80 in. off Finished Floor.
Integral Air Space	Factory Mounted on Back - 3" wide
Filter Type	Stainless Steel Baffle Filters

**Material:** 430 SS Where Exposed  
**UL Listing:** UL 710 w/out Exhaust Fire Damper

**Features:**  
 Performance Enhancing Lip (PEL)  
 Standing Seam Construction for Superior Strength  
 Stainless Steel Finish for Higher Corrosion Resistance

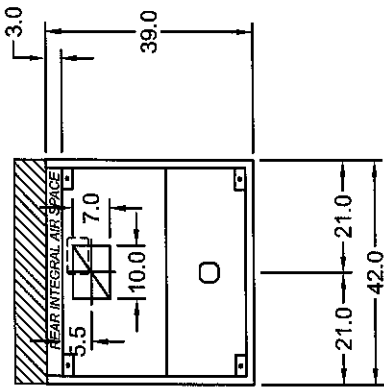
**Hood End Conditions:**  
 Back Wall - Limited Combustible

**Section Data:**

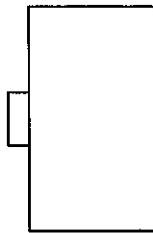
Section Num.	Length (in.)	Volume (CFM)	SP (in. wg)	Filter Qty		Filter Ht. (in.)	Temp. Rating	Light Qty	Light Type	Foot Candles	Drain Location	Weight (lbs)
				16" W	20" W							
1	42	735	0.402	0	2	20	600 deg F	1	Incandescent / CFL	36.02	Right	108.5

**Exhaust Collar Data:**

Section Num.	Collar Num.	Collar Size (LxW) in. or Diameter (in.)	Pos. Off Left (in.)	Pos Off Back (in.)	Velocity (fpm)	Mounting Option
1	1	10 x 7	21	5.5	1512	Factory Mounted Exhaust Collar(s)



SECTION 1  
PLAN VIEW



SECTION 1  
ELEVATION VIEW

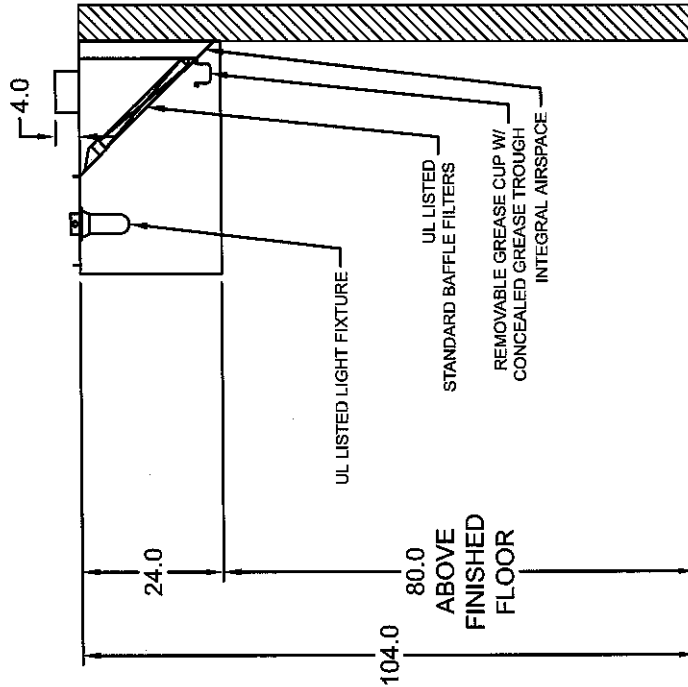
NOTE: All dimensions are in units of in.



Hanger Bracket Locations		
Sec #	Bracket #	Distance Off
		Distance Off Front (in)
1	1	3.50
1	2	38.50
1	3	3.50
1	4	38.50

Bracket Mounting Position for a 4 Bracket Hood	
3	4
1	2



MARK: Mark 2

NOTE: All dimensions are in units of in.

