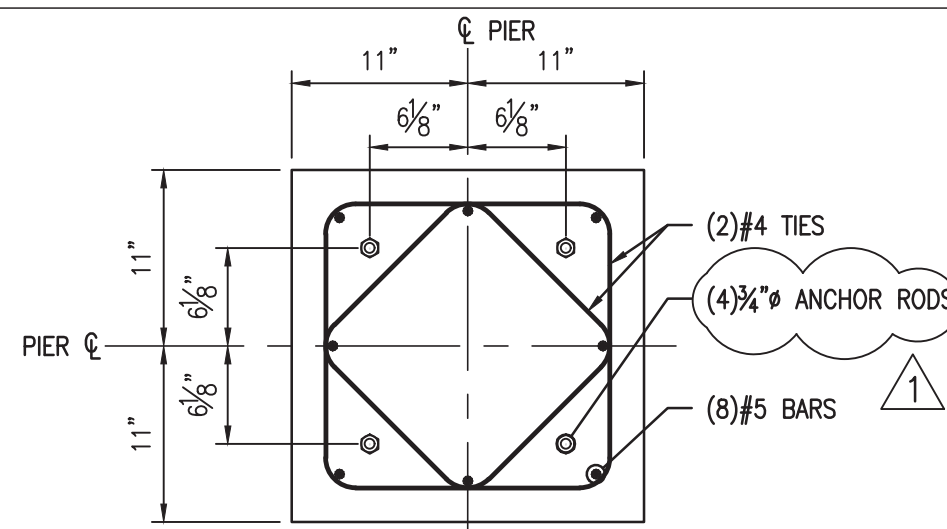


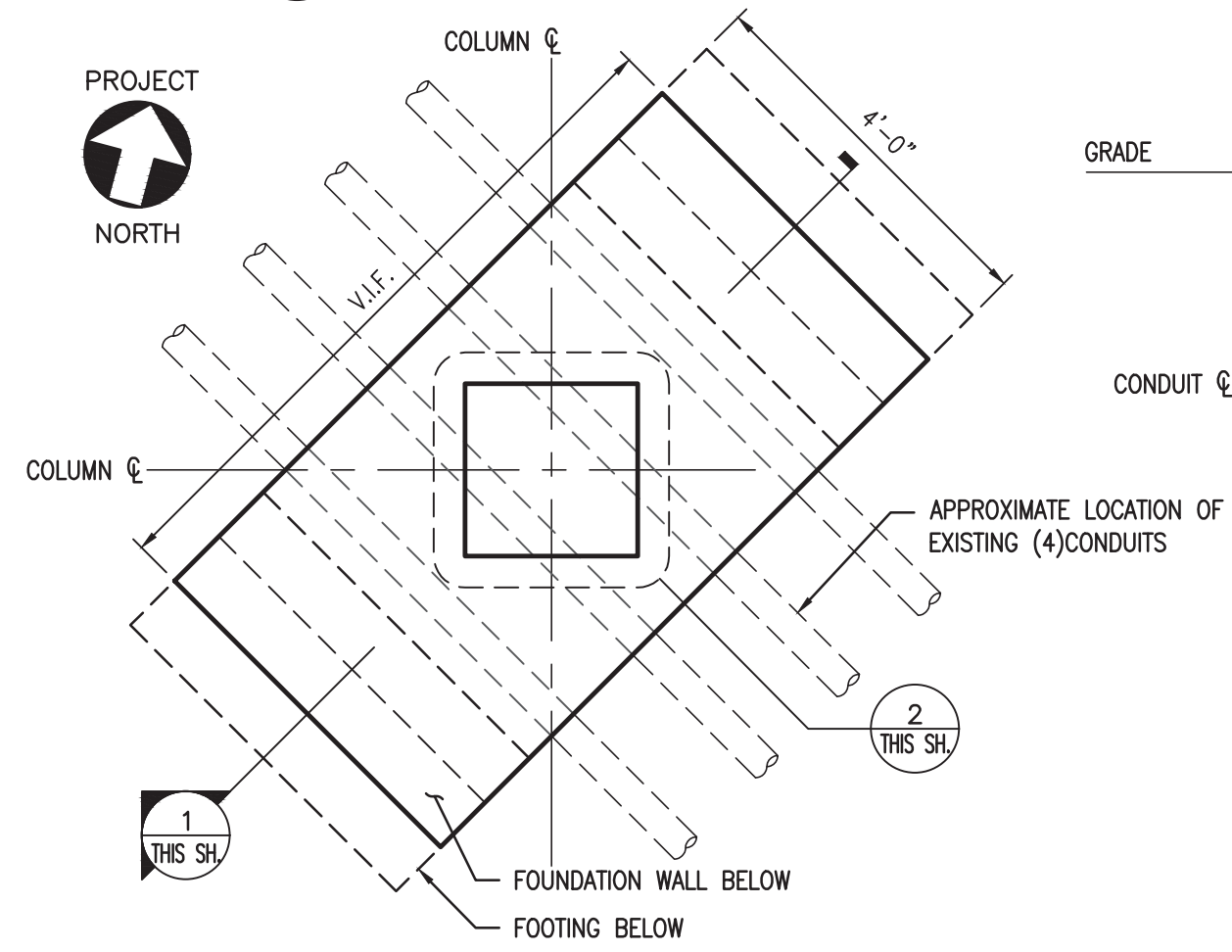
NO.	
REVISION	
DATE	
BY	
CK	
P.E.	

ENGINEERING CONSULTANT - LOGO - ADDRESS
SGC SGC ENGINEERING, LLC
 100 WATER ST.
 HALLOWELL, ME 04347

THIS DRAWING SHALL BE REVISED ON THE CADD SYSTEM ONLY



2 PIER DETAIL
 THIS SH. SCALE: 1" = 1'-0"

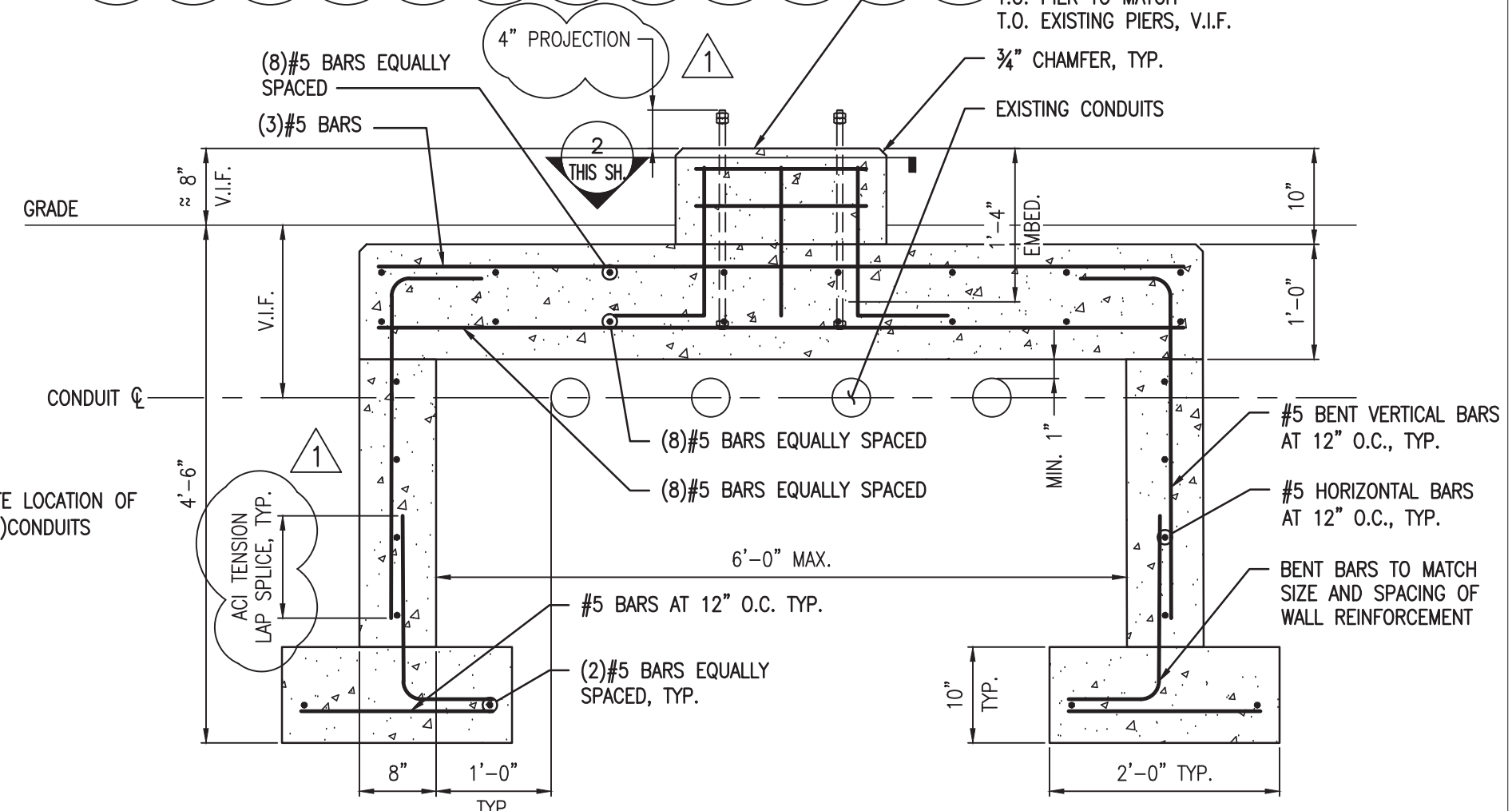
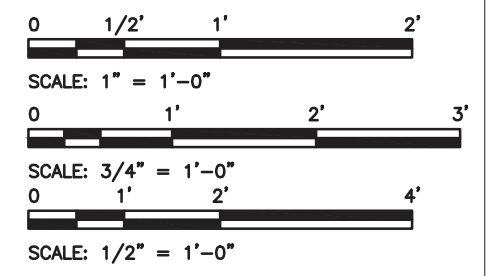


FOUNDATION PLAN
 SCALE: 1/2" = 1'-0"

This document and any attachments are considered:
BUSINESS CONFIDENTIAL
PROTECTED CRITICAL INFRASTRUCTURE INFORMATION

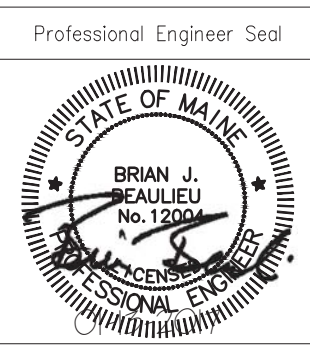
REFERENCE DRAWINGS	
520-3-11	SITE PLAN
520-37	FOUNDATION PLAN

- GENERAL NOTES:**
- CONCRETE MIX DESIGN:
 - STRENGTH: 4000 psi AT 28 DAYS
 - AGGREGATE: 3/4 INCH NOMINAL MAX.
 - W/C RATIO: 0.45 MAXIMUM
 - ENTRAINED AIR: 6% ±0.5%
 - SLUMP: 5 INCH ±1 INCH
 - REINFORCING BARS SHALL CONFORM TO ASTM A615 GRADE 60 DEFORMED BARS AND SHALL BE DETAILED, FABRICATED AND PLACED IN ACCORDANCE WITH ACI 315, LATEST EDITION. WELDING OF REINFORCEMENT SHALL NOT BE PERMITTED.
- GENERAL NOTES (CONT'D):**
- MINIMUM CONCRETE PROTECTIVE COVERING FOR REINFORCEMENT SHALL BE AS FOLLOWS UNLESS NOTED OTHERWISE:
 - SURFACES CAST AGAINST AND PERMANENTLY IN CONTACT WITH EARTH: 3"
 - FORMED SURFACES IN CONTACT WITH EARTH OR EXPOSED TO WEATHER: 2"
 - SURFACES NOT IN CONTACT WITH EARTH OR EXPOSED TO WEATHER: 1 1/2"
 - ANCHOR ROD SHALL BE ASTM F1554 GRADE 36 STEEL WITH ASTM A563 HEAVY HEX NUTS AND F844 WASHERS. ALL ANCHOR RODS, NUTS, AND WASHERS SHALL BE HOT-DIP GALVANIZED.



1 FOUNDATION SECTION
 THIS SH. SCALE: 3/4" = 1'-0"

NO.	REVISION	DATE	BY	CK	P. E. STAMPED BY	P. E. No.
1	REVISED PER COMMENTS	01/13/17	AKG	BJB	BJB	12004
0	ISSUED FOR CONSTRUCTION	12/30/16	AKG	BJB	BJB	12004



DESIGNED: AKG
 DRAWN: TJG
 CHECKED: BJB
 APPROVED: BJB
 REVIEWED:

FOUNDATION DETAIL FOR
 33KV BUS STRUCTURE-MODIFIED PIER
 BISHOP ST. 34KV S/S

CENTRAL MAINE POWER COMPANY
 SYSTEM ENGINEERING
 DATE: 12/27/16
 SCALE: AS NOTED

520-03-17
 REV 1