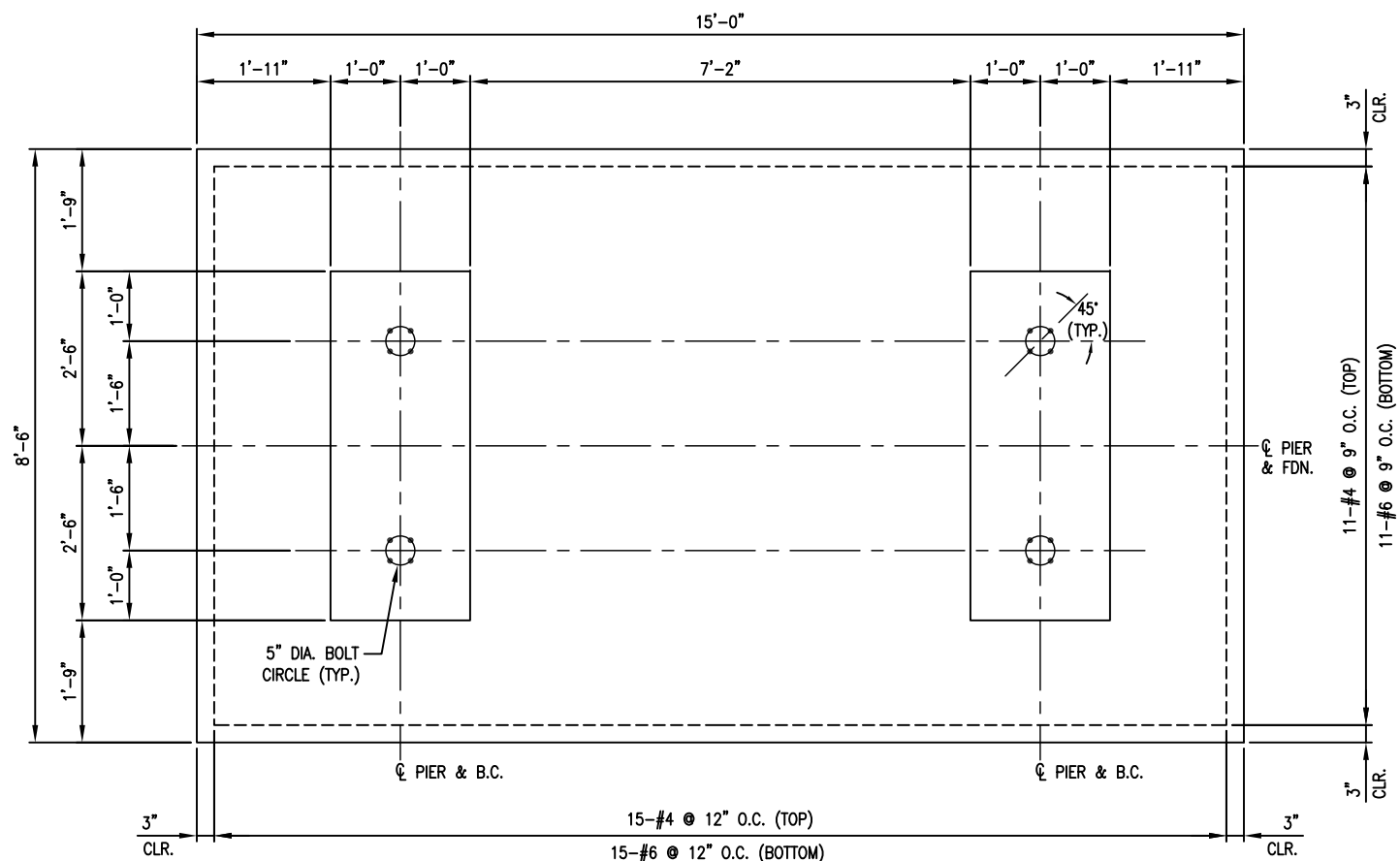


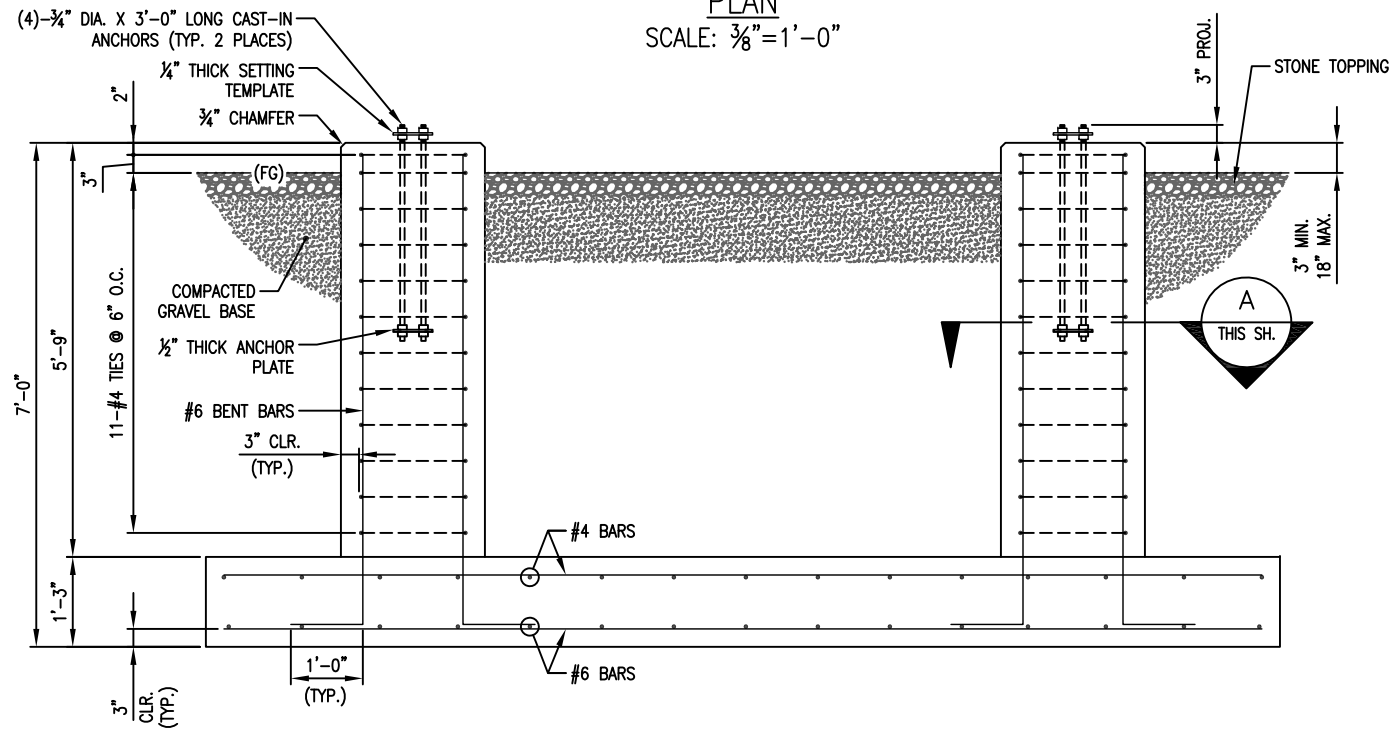
NO.	REVISION	DATE	BY	CK	P.E.

ENGINEERING CONSULTANT - LOGO - ADDRESS
SGC
 SGC ENGINEERING, LLC
 100 WATER ST.
 HALLOWELL, ME 04347

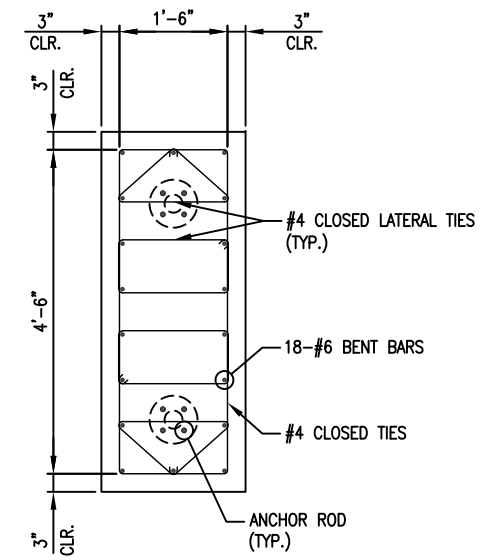
THIS DRAWING SHALL BE REVISED ON THE CADD SYSTEM ONLY



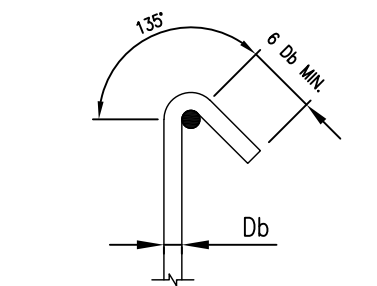
PLAN
 SCALE: 3/8" = 1'-0"



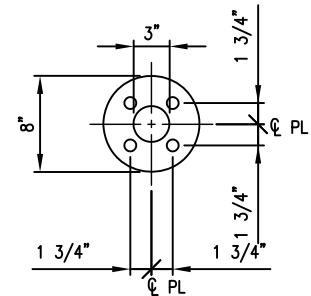
ELEVATION
 SCALE: 3/8" = 1'-0"



SECTION A
 THIS SH. SCALE: 3/8" = 1'-0"



TYP TIE HOOK DETAIL
 SCALE: NTS



ANCHOR PLATE & TEMPLATE PLAN
 SCALE: 3/4" = 1'-0"

DESIGN DATA

STRUCTURE
 CLASSIFICATION (ASCE 7)
 SITE LOCATION
 ALLOWABLE SOIL BEARING
 GROUND WATER ELEVATION

WIND LOADS
 BASIC WIND SPEED
 IMPORTANCE FACTOR
 EXPOSURE CATEGORY

ATMOSPHERIC ICE LOADS
 RADIAL ICE
 CONCURRENT WIND SPEED

EARTHQUAKE LOADS
 IMPORTANCE FACTOR
 SITE CLASS
 SEISMIC DESIGN CATEGORY

CATEGORY IV
 PORTLAND, MAINE
 4000 PSF
 2 FT BFG

100 MPH
 1.15
 C

1 INCH
 40 MPH

1.5
 C
 C

NOTES

- CONCRETE COMPRESSIVE STRENGTH SHALL BE 4000psi @ 28 DAYS.
- REINFORCING SHALL BE ASTM A615 GR. 60 (60ksi YIELD).
- ANCHOR RODS SHALL BE HOT-DIP GALVANIZED ASTM F1554 GR. 36 (36ksi YIELD), UNLESS NOTED OTHERWISE. HOOKED ANCHORS ARE NOT ACCEPTABLE.
- ASTM A563 HEAVY HEX NUTS & F844 WASHERS SHALL BE HOT-DIP GALVANIZED, UNLESS NOTED OTHERWISE. A MINIMUM OF (4) NUTS AND (4) WASHERS PER ANCHOR ROD TO FACILITATE SECURING ANCHOR PLATES AND SETTING TEMPLATES AT THE BASE AND TOP OF CAST-IN ANCHORS, RESPECTIVELY.
- EACH SET OF FOUNDATION ANCHOR ROD CLUSTERS SHALL BE DELIVERED TO SITE AS A CAGED ASSEMBLY. THIS INCLUDES SETTING TEMPLATES AND ANCHOR PLATES PROPERLY FASTENED TO FACILITATE IMMEDIATE INSTALLATION WITHIN THE FOUNDATION FORM WORK. ANCHOR PLATES AND SETTING TEMPLATES SHALL BE ASTM A36 STEEL, THICKNESS SHALL BE AS INDICATED AND SHALL BE FINISHED WITH 2 COATS OF SHOP PRIMER
- PROVIDE 3/4" CHAMFER ON ALL EXPOSED EDGES, UNLESS NOTED OTHERWISE.
- FOOTINGS SHALL BE PLACED ON BEDROCK OVERLAIN BY 12" OF 3/4" CRUSHED STONE.
- FOUNDATIONS TO BE BACKFILLED & COMPACTED IN ACCORDANCE WITH PROJECT SPECIFICATIONS AND TYPICAL DETAIL ON DWG 550-3-6.
- ANY ESTIMATED 8.2 C.Y. OF CONCRETE IS REQUIRED FOR ONE FOUNDATION. ESTIMATED QUANTITY IS FOR OWNER'S ASSET MANAGEMENT PURPOSES ONLY. CONTRACTOR IS RESPONSIBLE FOR DETERMINING QUANTITIES REQUIRED FOR CONSTRUCTION AND BID PURPOSES.

LEGEND OF ABBREVIATIONS:

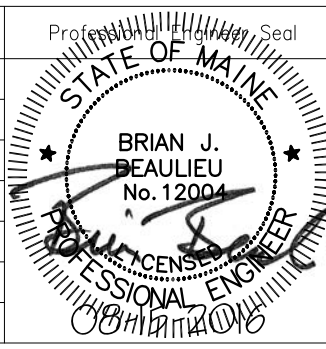
A.R.	-	ANCHOR ROD
CLR	-	CLEAR
DWG.	-	DRAWING
EQ	-	EQUAL/EQUALLY
FDN.	-	FOUNDATION
(FG)	-	FINISHED GRADE
O.C.	-	ON CENTER
PROJ.	-	PROJECTIONS
BFG	-	BELOW FINISH GRADE
SP.	-	SPACING/SPACED
B.C.	-	BOLT CIRCLE
UNO	-	UNLESS OTHERWISE NOTED

FOUNDATION MARK NN

This document and any attachments are considered:
BUSINESS CONFIDENTIAL
PROTECTED CRITICAL INFRASTRUCTURE INFORMATION

REFERENCE DRAWINGS	
520-3-11	SITE PLAN
520-37	FOUNDATION PLAN

NO.	REVISION	DATE	BY	CK	P. E. STAMPED BY	P. E. No.
0	ISSUED FOR CONSTRUCTION	08/15/16	SGC	SGC	BJB	12004



DESIGNED
 SGC/TDD
 DRAWN
 SGC/TDD
 CHECKED
 SGC/TMH
 APPROVED
 CMP

REVIEWED

FOUNDATION DETAIL
 34kV (5.4MVAR) CAP BANK
 BISHOP ST. 34KV S/S

CENTRAL MAINE POWER COMPANY
 SYSTEM ENGINEERING

DATE: 10/10/14
 SCALE: AS NOTED

520-3-16
 REV 0