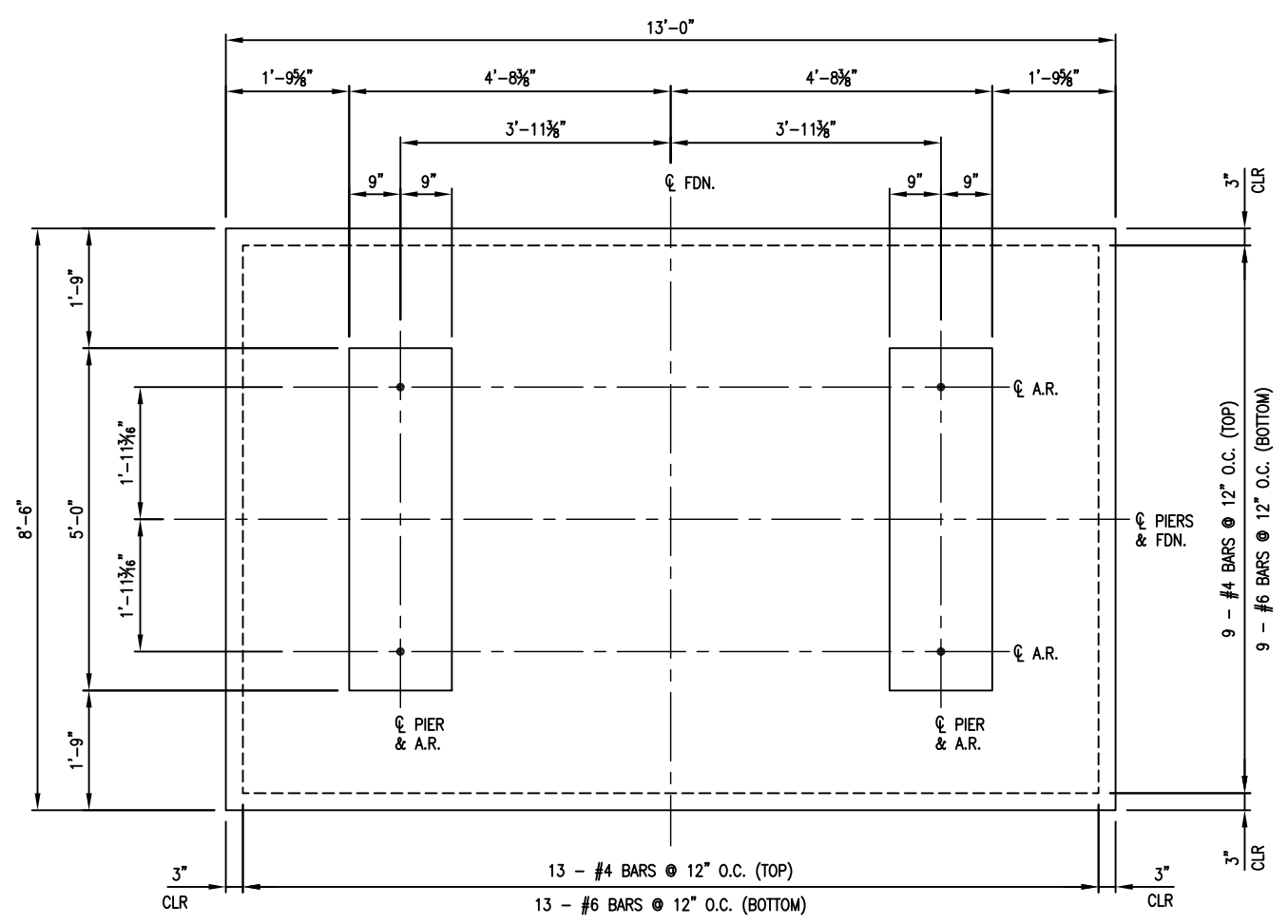


NO.	REVISION	DATE	BY	FR	CK

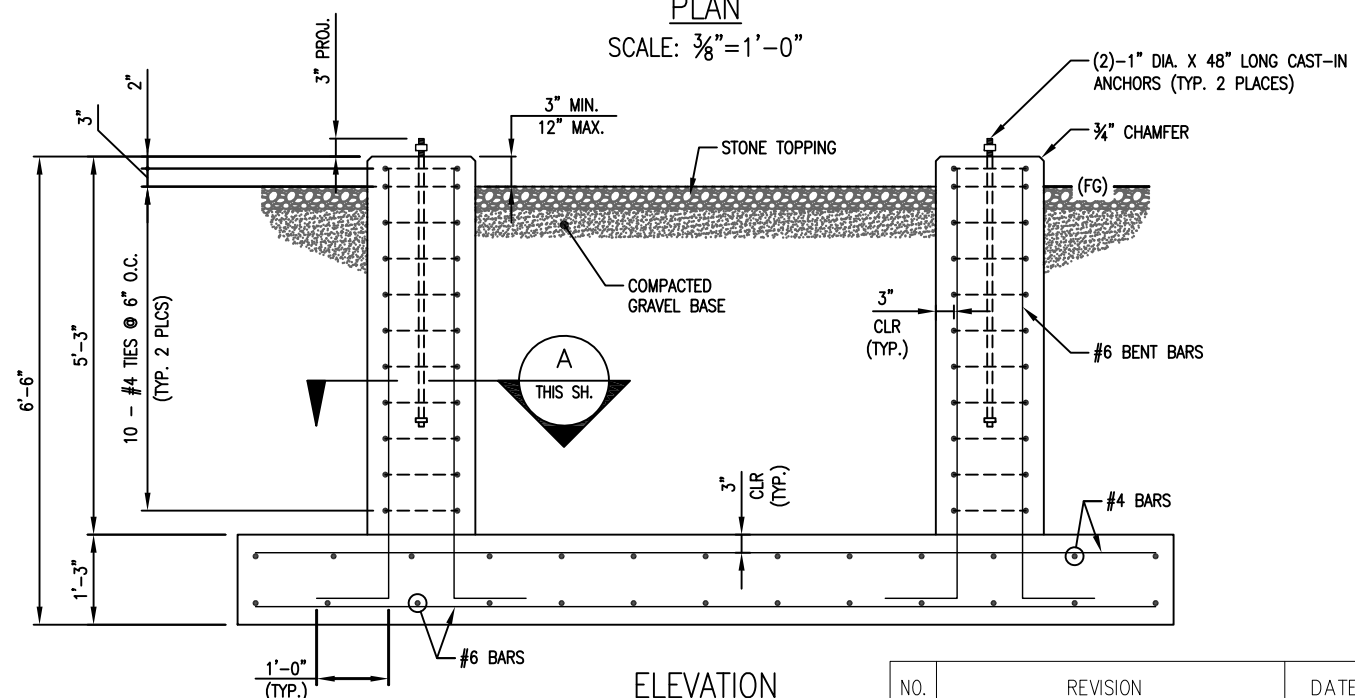
ENGINEERING CONSULTANT - LOGO - ADDRESS
 SGC ENGINEERING, LLC
 100 WATER ST.
 HALLOWELL, ME 04347



THIS DRAWING SHALL BE REVISED ON THE CAD SYSTEM ONLY



PLAN
 SCALE: 3/8" = 1'-0"



ELEVATION
 SCALE: 3/8" = 1'-0"

This document and any attachments are considered:
BUSINESS CONFIDENTIAL
PROTECTED CRITICAL INFRASTRUCTURE INFORMATION

REFERENCE DRAWINGS	
520-3-11	SITE PLAN
520-37	FOUNDATION PLAN

NO.	REVISION	DATE	BY	CK	P. E. STAMPED BY	P. E. No.
0	ISSUED FOR CONSTRUCTION	08/15/16	SGC	SGC	BJB	12004

DESIGN DATA

STRUCTURE

CLASSIFICATION (ASCE 7)
 SITE LOCATION
 ALLOWABLE SOIL BEARING
 GROUND WATER ELEVATION

CATEGORY IV
 PORTLAND, MAINE
 4000 PSF
 2 FT BFG

WIND LOADS

BASIC WIND SPEED
 IMPORTANCE FACTOR
 EXPOSURE CATEGORY

100 MPH
 1.15
 C

ATMOSPHERIC ICE LOADS

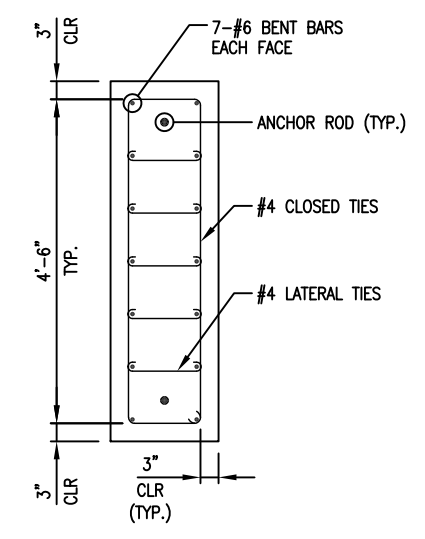
RADIAL ICE
 CONCURRENT WIND SPEED

1 INCH
 40 MPH

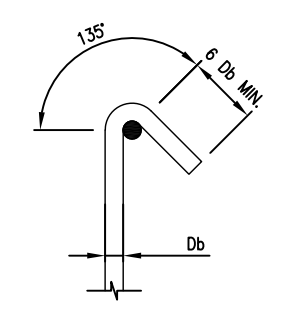
EARTHQUAKE LOADS

IMPORTANCE FACTOR
 SITE CLASS
 SEISMIC DESIGN CATEGORY

1.5
 C
 C



A SECTION
 THIS SH. SCALE: 3/8" = 1'-0"



TIE HOOK DETAIL
 SCALE: N.T.S.

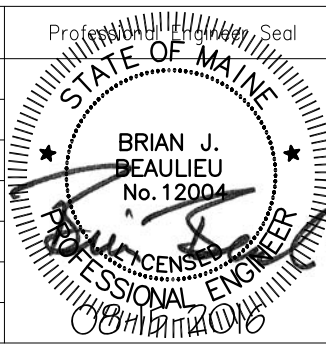
NOTES

- CONCRETE COMPRESSIVE STRENGTH SHALL BE 4000psi @ 28 DAYS.
- REINFORCING SHALL BE ASTM A615 GR. 60 (60ksi YIELD).
- ANCHOR RODS SHALL BE HOT-DIP GALVANIZED ASTM F1554 GR. 36 (36ksi YIELD), UNLESS NOTED OTHERWISE. HOOKED ANCHORS ARE NOT ACCEPTABLE.
- ASTM A563 HEAVY HEX NUTS & F844 WASHERS SHALL BE HOT-DIP GALVANIZED, UNLESS NOTED OTHERWISE. A MINIMUM OF (2) NUTS AND (2) WASHERS PER ANCHOR ROD.
- PROVIDE 3/4" CHAMFER ON ALL EXPOSED EDGES, UNLESS NOTED OTHERWISE.
- FOOTING SHALL BE PLACED ON BEDROCK OVERLAIN BY 12" OF 3/4" CRUSHED STONE.
- FOUNDATION TO BE BACKFILLED & COMPACTED IN ACCORDANCE WITH PROJECT SPECIFICATIONS AND TYPICAL DETAIL ON DWG 550-3-6.
- ANY ESTIMATED 8.1 C.Y. OF CONCRETE IS REQUIRED FOR ONE FOUNDATION. ESTIMATED QUANTITY IS FOR OWNER'S ASSET MANAGEMENT PURPOSES ONLY. CONTRACTOR IS RESPONSIBLE FOR DETERMINING QUANTITIES REQUIRED FOR CONSTRUCTION AND BID PURPOSES.

LEGEND OF ABBREVIATIONS:

- A.R. - ANCHOR ROD
- CLR - CLEAR
- DWG. - DRAWING
- EQ - EQUAL/EQUALLY
- FDN. - FOUNDATION
- (FG) - FINISHED GRADE
- O.C. - ON CENTER
- PROJ - PROJECTIONS
- BFG - BELOW FINISH GRADE
- SP. - SPACING/SPACED
- B.C. - BOLT CIRCLE
- UNO - UNLESS NOTED OTHERWISE

FOUNDATION MARK LL



DESIGNED	SGC/TDD
DRAWN	SGC/TDD
CHECKED	SGC/TMH
APPROVED	CMP
REVIEWED	

FOUNDATION DETAIL
 72.5kV IPO GAS CIRCUIT BREAKER
 BISHOP ST. SUBSTATION

CENTRAL MAINE POWER COMPANY
 SYSTEM ENGINEERING

520-3-15
 REV 0

DATE: 10/10/14
 SCALE: AS NOTED