

CONSTRUCTION MANAGEMENT PLAN NOTES

- IT WILL BE THE RESPONSIBILITY OF THE SUBCONTRACTOR TO UTILIZE LEGAL CITY OF PORTLAND PARKING SPACES IN THE VICINITY OF THE PROJECT.
- HOURS OF CONSTRUCTION: 6:30 AM -- 5:00 PM, MONDAY THROUGH FRIDAY.
- SITE WILL HAVE SECURITY LIGHTING AT NIGHT.
- STREETS MUST MAINTAIN A 20' WIDTH FOR FIRE DEPARTMENT ACCESS AT ALL TIMES.
- FIRE HYDRANTS SHALL NOT BE BLOCKED OR ENCLOSED BY FENCING. A 3' CLEARANCE MUST BE KEPT AT ALL TIMES AROUND THE FIRE HYDRANT.
- IF GATES ARE LOCKED, A PORTLAND FIRE DEPARTMENT KNOX PADLOCK MUST BE PURCHASED BY THE APPLICANT TO ALLOW ACCESS TO THE FIRE DEPARTMENT.
- THE CONSTRUCTION COMPANY EMERGENCY CONTACT INFORMATION SHALL BE POSTED ON THE PROPERTY IN CASE OF AN AFTER HOUR EMERGENCY.
- ALL CONSTRUCTION SHALL COMPLY WITH 2009 NFPA 1 CHAPTER 16 SAFEGUARDS DURING BUILDING CONSTRUCTION, ALTERNATION, AND DEMOLITION OPERATIONS.
- ANY CUTTING AND WELDING DONE WILL REQUIRE A HOT WORK PERMIT FROM FIRE
- PRIOR TO SITE CLEARING, CONTRACTOR SHALL COORDINATE WITH PROJECT LANDSCAPE ARCHITECT TO DEMARCATATE TREES FOR PROTECTION AND WETLAND AREAS TO BE PROTECTED. EXISTING TREES TO BE PRESERVED SHALL BE PROTECTED DURING CONSTRUCTION AND SHALL BE THE RESPONSIBILITY OF THE GENERAL CONTRACTOR.
- SITE CONTRACTOR SHALL COORDINATE WITH THE CITY OF PORTLAND TO ESTABLISH CONSTRUCTION MANAGEMENT REQUIREMENTS FOR INSTALLATION OF NEW SIDEWALK AND GRANITE CURBING ALONG BISHOP STREET AS SHOWN ON PLAN SHEETS L9, L9.1, L9.2.

TM 293-C-1
N/F
DEERING LODGE BUILDING CORP.
13212/14
"MASONS"
ZONING: B-2C

TM 293-C-4
N/F
BISHOP STREET LLC
23608/212
ZONING: B-2C

TM 293-C-5
N/F
UNIVERSITY OF NEW ENGLAND

BISHOP STREET

PROPOSED BUILDING OUTLINE

CONSTRUCTION FENCE (TYP.)
FENCE TO BE LOCATED AT THE LIMIT OF WORK LINE

LIMIT OF TREE CLEARING (TYP.)

MATERIALS, TRASH AND RECYCLING STORAGE AREA
(LOCATED ON BASE MATERIAL OF PROPOSED PARKING LOT)

EXISTING WOODED AREA

LEGEND

PROPERTY LINE	
CONTOUR	
IRON ROD FOUND	
MANHOLE	
CATCHBASIN	
WATER VALVE	
HYDRANT	
UTILITY POLE	
LIMIT OF VEGETATION	
CURRENT ZONE LINE	
WETLAND	

RESOURCE NOTES:

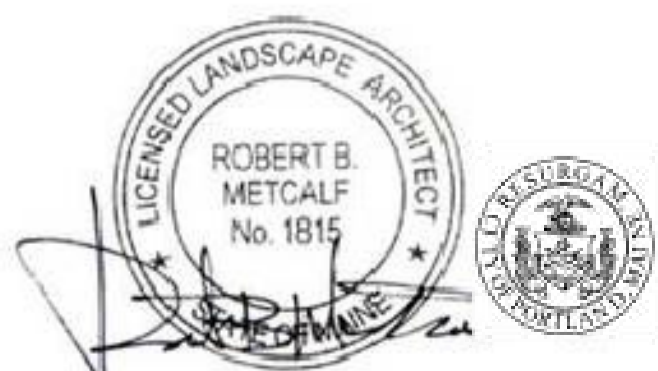
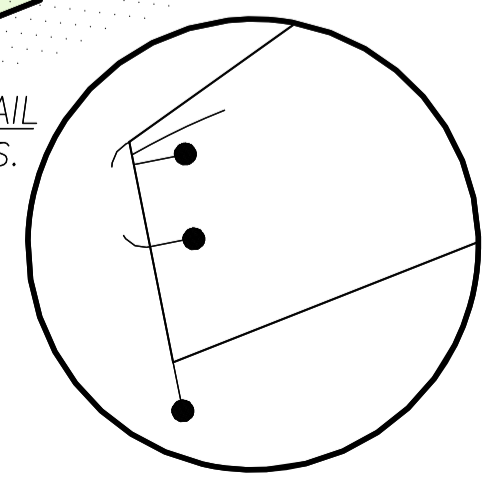
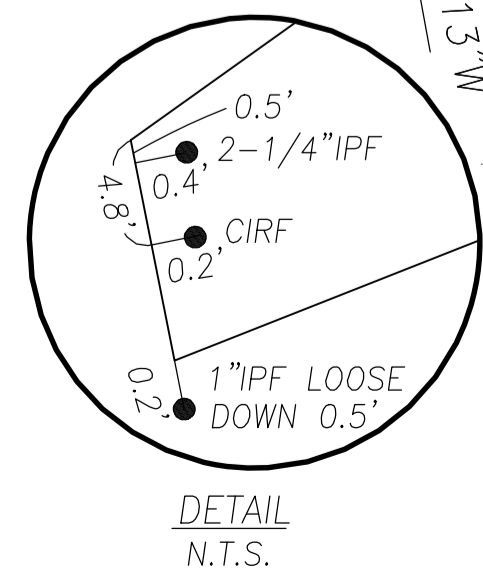
- WETLANDS AND STREAMS SHOWN HEREON WERE FIELD IDENTIFIED BY CES, INC. IN JULY 2014. WETLANDS WERE FIELD DELINEATED IN GENERAL ACCORDANCE WITH 1987 CORPS OF ENGINEERS WETLAND DELINEATION MANUAL AND THE 2012 NORTHCENTRAL AND NORTHEAST REGIONAL SUPPLEMENT (VERSION 2.0). PROPOSED WETLAND IMPACTS SHOULD BE VERIFIED IN THE FIELD PRIOR TO CONSTRUCTION. STREAMS WERE FIELD IDENTIFIED IN ACCORDANCE WITH MAINE NATURAL RESOURCES PROTECTION ACT (NRPA) DEFINITIONS.

PLAN REFERENCES:

- "PLAN OF LAND IN PORTLAND, MAINE FOR WESTBROOK COLLEGE, AUGUST 20, 1974 OWEN HASKELL, INC. JOB NO. 7445 P" REVISED 5/4/89
- "BOUNDARY SURVEY ATHLETIC FIELD UNIVERSITY OF NEW ENGLAND STEVENS AVENUE & BISHOP STREET PORTLAND, MAINE OCTOBER 2007 COLONIAL SURVEYING COMPANY, LLC"
- WORKING DRAWING OF MAYFIELD STREET, BISHOP STREET AND STEVENS AVENUE IN FILES OF H.I. & E.C. JORDAN - SURVEYORS
- SITE PLAN OF PROPERTY ON BISHOP STREET, PORTLAND, MAINE MADE FOR PLASMINE TECHNOLOGY, INC. OCT. 1, 1991 OWEN HASKELL, INC. JOB NO. 91163P"

NOTES:

- OWNERS OF RECORD: HED/WAY DEVELOPMENT, 24 SAND POINT ROAD, CUMBERLAND FORESIDE, MAINE 04110, CUMBERLAND COUNTY REGISTRY OF DEEDS BOOK 8575 PAGE 272.
- LOCUS IS SHOWN AS BLOCK C LOT 2 AND 3 ON PORTLAND PROPERTY MAP 293.
- BEARINGS ARE BASED ON MAINE STATE PLANE COORDINATE SYSTEM MAINE WEST NAD83 AND ELEVATIONS ARE NAVD29 AS BASED ON STATIC GPS COLLECTION AND OPUS CORRECTION.
- EXISTING WETLANDS: 14,203 SF
- PRIOR TO SITE CLEARING, CONTRACTOR SHALL COORDINATE WITH PROJECT LANDSCAPE ARCHITECT TO DEMARCATATE TREES FOR PROTECTION AND WETLAND AREAS TO BE PROTECTED. EXISTING TREES TO BE PRESERVED SHALL BE PROTECTED DURING CONSTRUCTION AND SHALL BE THE RESPONSIBILITY OF THE GENERAL CONTRACTOR.



DATE OF APPROVAL: 7/14/2015
PLANNER: Neil Donaldson
PROJECT NO.: 2015-060

Prepared For:
Owner:
AVESTA BISHOP STREET LP
307 Cumberland Avenue
Portland, Maine 04101
Tel.: 207-553-7777

Prepared By:
MITCHELL & ASSOCIATES
Landscape Architects
The Staples School
70 Center Street
Portland, Maine 04101
Tel.: 207-774-4427

72 BISHOP STREET
Portland, Maine
Bishop Street

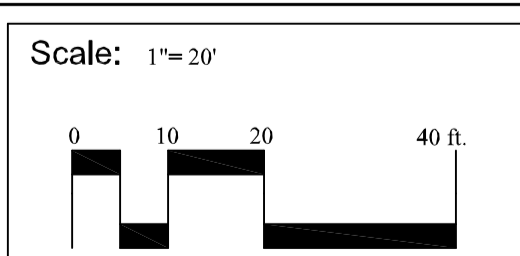
Date: APRIL 10, 2015

Issued For: ISSUED FOR PERMITTING

Revisions:
Rev: 5/22/15
Rev: 6/22/15
Rev: 12/23/15
Rev: 02/05/16
conditions of approval

Reproduction or reuse of this document without the expressed written consent of Mitchell & Associates is prohibited.
© 2014

Title: CONSTRUCTION MANAGEMENT PLAN



North
CITY OF PORTLAND
APPROVED SITE PLAN
Subject to Conditions of Approval
and Standard Conditions