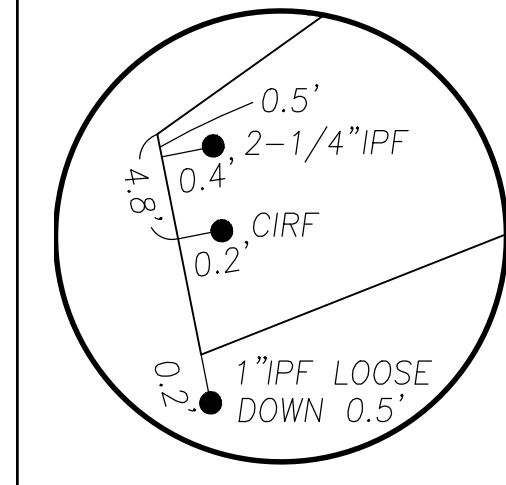
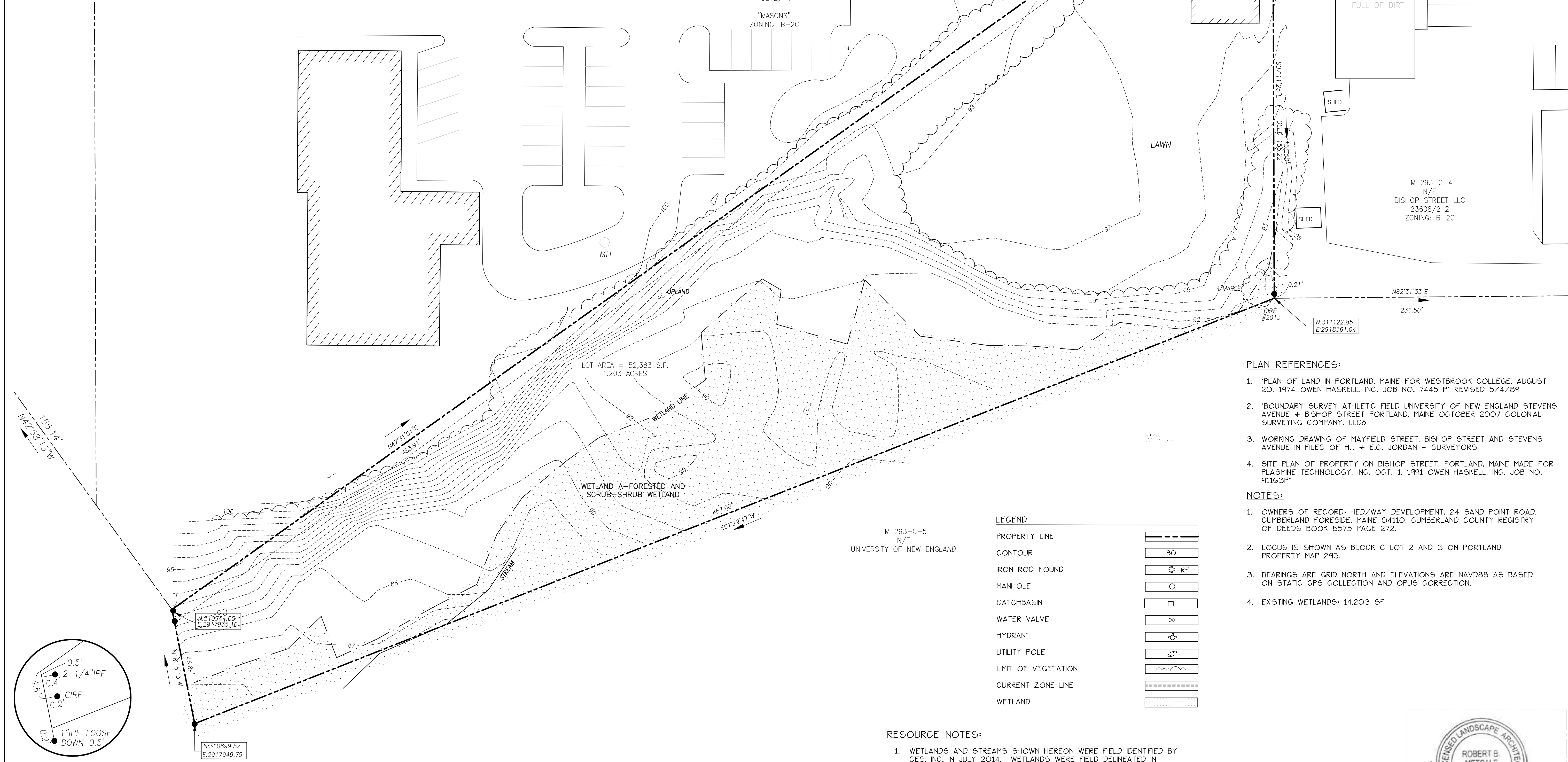


LOCATION MAP NOT TO SCALE



DETAIL M.T.C.

BISHOP STREET
(PAVED - PUBLIC 50' WIDE)

TM 293-C-1
N/F
DEERING LODGE BUILDING CORP.
13212/14
"MASONS"
ZONING: B-2C

TM 293-C-4
N/F
BISHOP STREET LLC
23608/212
ZONING: B-2C

TM 293-C-5
N/F
UNIVERSITY OF NEW ENGLAND

LOT AREA = 52,383 S.F.
1.203 ACRES

LEGEND

PROPERTY LINE	
CONTOUR	
IRON ROD FOUND	
MANHOLE	
CATCHBASIN	
WATER VALVE	
HYDRANT	
UTILITY POLE	
LIMIT OF VEGETATION	
CURRENT ZONE LINE	
WETLAND	

RESOURCE NOTES:

1. WETLANDS AND STREAMS SHOWN HEREON WERE FIELD IDENTIFIED BY CES, INC. IN JULY 2014. WETLANDS WERE FIELD DELINEATED IN GENERAL ACCORDANCE WITH 1987 CORPS OF ENGINEERS WETLAND DELINEATION MANUAL AND THE 2012 NORTHCENTRAL AND NORTHEAST REGIONAL SUPPLEMENT (VERSION 2.0). PROPOSED WETLAND IMPACTS SHOULD BE VERIFIED IN THE FIELD PRIOR TO CONSTRUCTION. STREAMS WERE FIELD IDENTIFIED IN ACCORDANCE WITH MAINE NATURAL RESOURCES PROTECTION ACT (NRPD) DEFINITIONS.

PLAN REFERENCES:

1. 'PLAN OF LAND IN PORTLAND, MAINE FOR WESTBROOK COLLEGE, AUGUST 20, 1974 OWEN HASKELL, INC. JOB NO. 7445 P' REVISED 5/4/89
2. 'BOUNDARY SURVEY ATHLETIC FIELD UNIVERSITY OF NEW ENGLAND STEVENS AVENUE + BISHOP STREET PORTLAND, MAINE OCTOBER 2007 COLONIAL SURVEYING COMPANY, LLC
3. WORKING DRAWING OF MAYFIELD STREET, BISHOP STREET AND STEVENS AVENUE IN FILES OF H.I. + E.C. JORDAN - SURVEYORS
4. SITE PLAN OF PROPERTY ON BISHOP STREET, PORTLAND, MAINE MADE FOR PLASMINTE TECHNOLOGY, INC. OCT. 1, 1991 OWEN HASKELL, INC. JOB NO. 91163P'

NOTES:

1. OWNERS OF RECORD: HED/WAY DEVELOPMENT, 24 SAND POINT ROAD, CUMBERLAND FORESIDE, MAINE 04110. CUMBERLAND COUNTY REGISTRY OF DEEDS BOOK 8575 PAGE 272.
2. LOCUS IS SHOWN AS BLOCK C LOT 2 AND 3 ON PORTLAND PROPERTY MAP 293.
3. BEARINGS ARE GRID NORTH AND ELEVATIONS ARE NAVD88 AS BASED ON STATIC GPS COLLECTION AND OPUS CORRECTION.
4. EXISTING WETLANDS: 14,203 SF



Prepared For:
Owner:
AVESTA BISHOP STREET LP
307 Cumberland Avenue
Portland, Maine 04101
Tel.: 207-553-7777

Prepared By:
MITCHELL & ASSOCIATES
Landscape Architects
The Staples School
70 Center Street
Portland, Maine 04101
Tel.: 207-774-4427

72 BISHOP STREET
 Portland, Maine
 Bishop Street

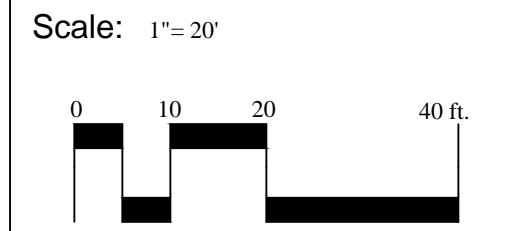
Date: APRIL 10, 2015

Issued For:
SITE PLAN AND SUBDIVISION
PLAN REVIEW

Revisions:

Reproduction or reuse of this document without the expressed written consent of Mitchell & Associates is prohibited.
© 2014

Title:
EXISTING
CONDITIONS PLAN



North:

Sheet No.: **L1.0**