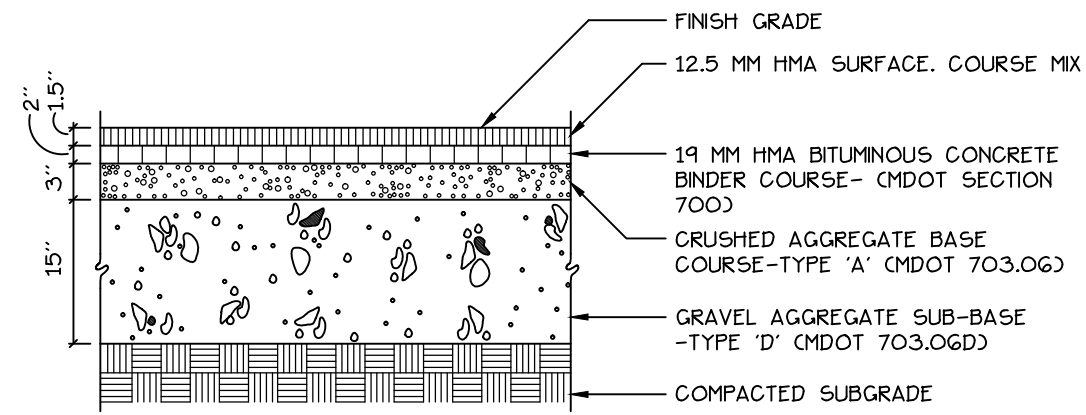
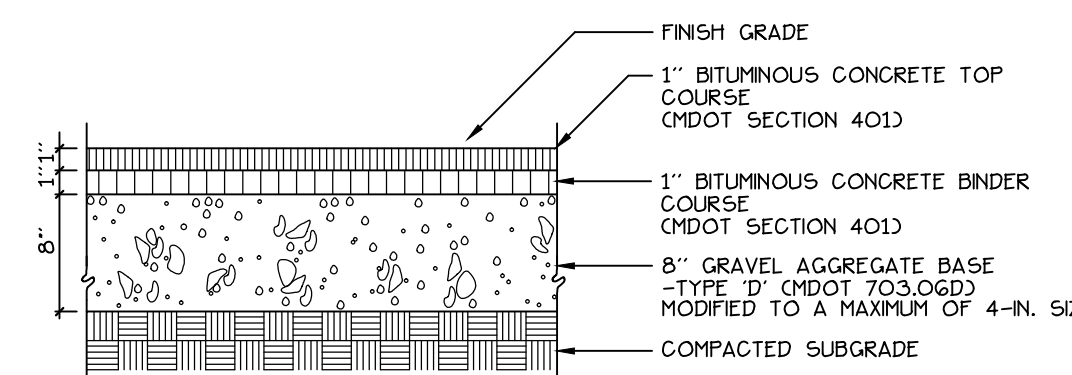


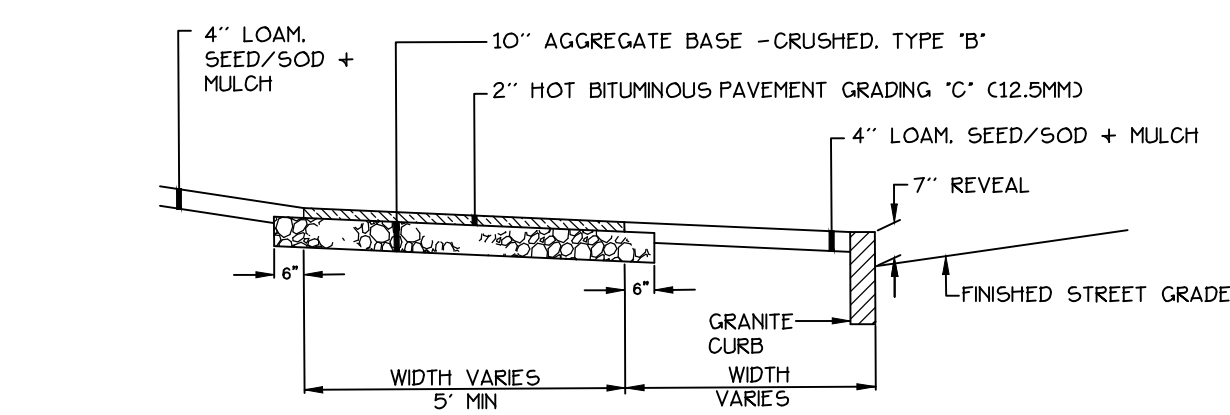
1 BITUMINOUS PAVEMENT- ROAD- CITY OF PORTLAND STANDARD
L5 NOT TO SCALE



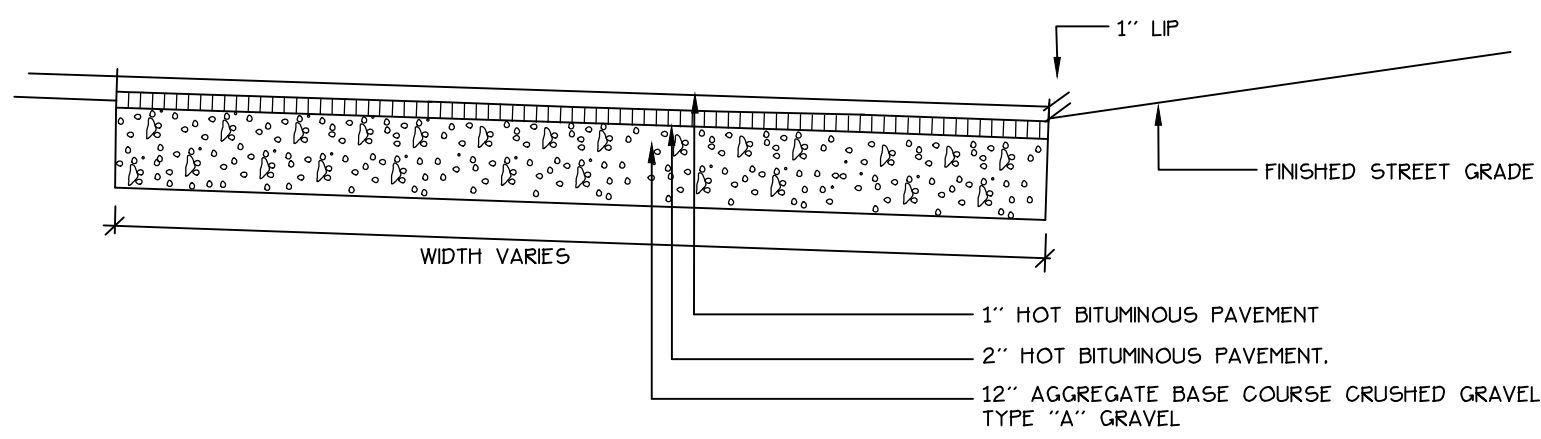
2 BITUMINOUS PAVEMENT- PARKING LOT
L5 NOT TO SCALE



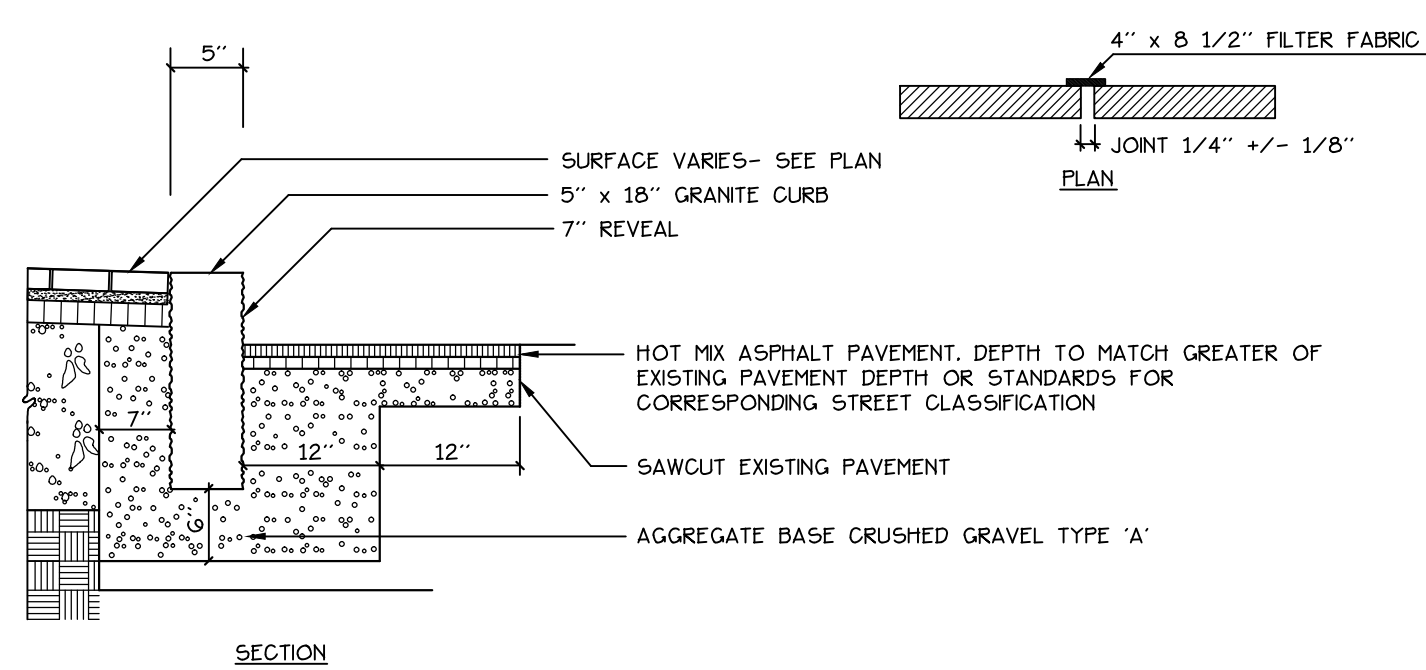
3 BITUMINOUS SIDEWALK
L5 NOT TO SCALE



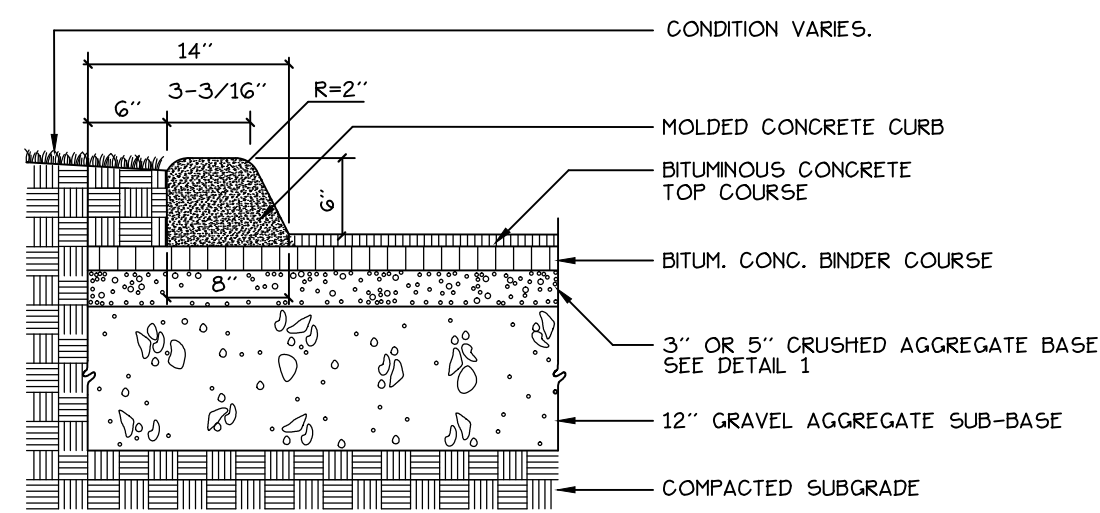
4 BITUMINOUS SIDEWALK WITH GRANITE CURB- CITY OF PORTLAND
L5 NOT TO SCALE



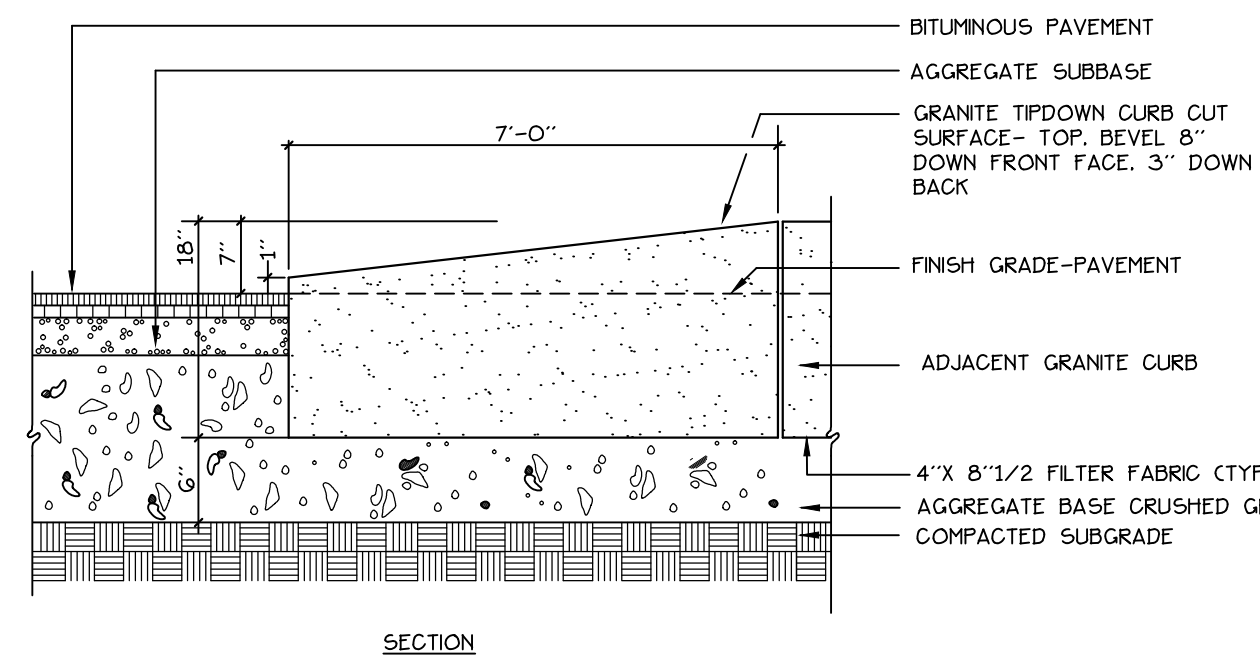
5 BITUMINOUS DRIVEWAY APRON
L5 NOT TO SCALE



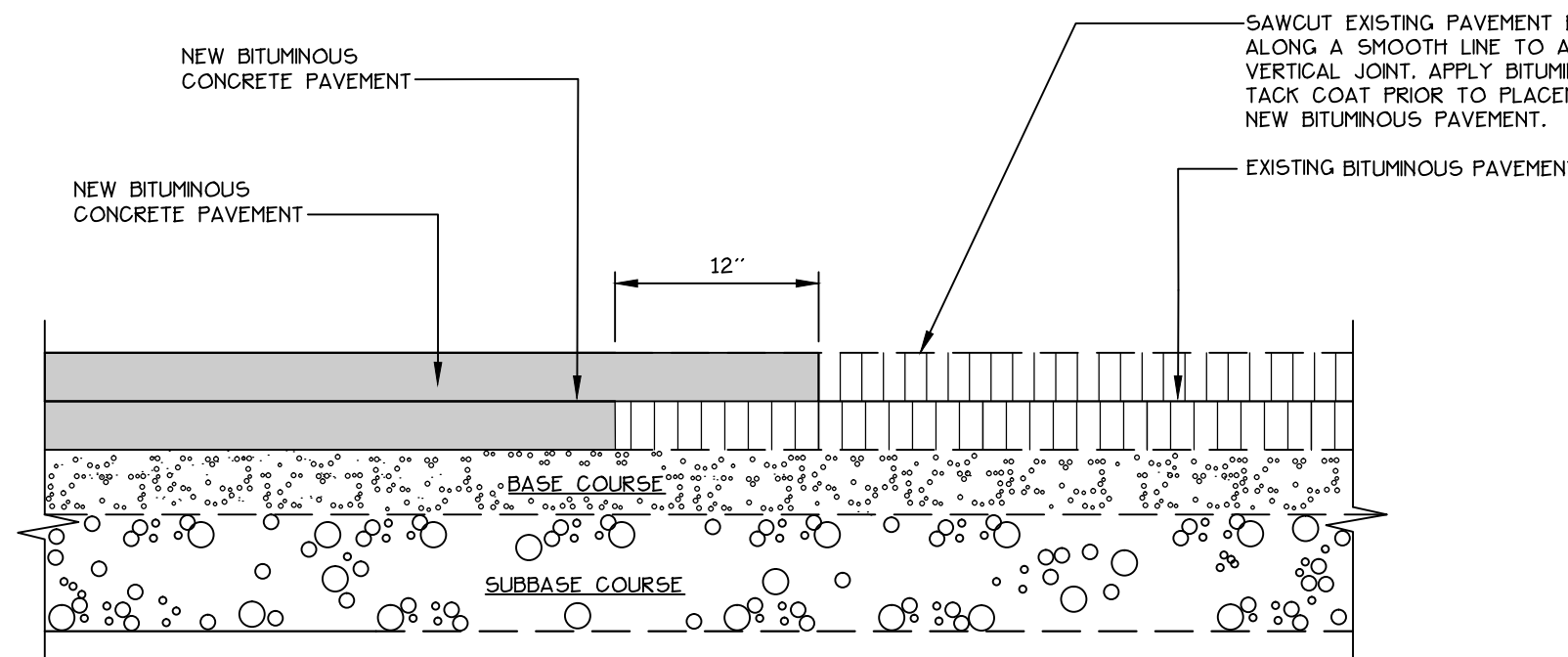
6 VERTICAL GRANITE CURB- CITY RIGHT OF WAY
L5 NOT TO SCALE



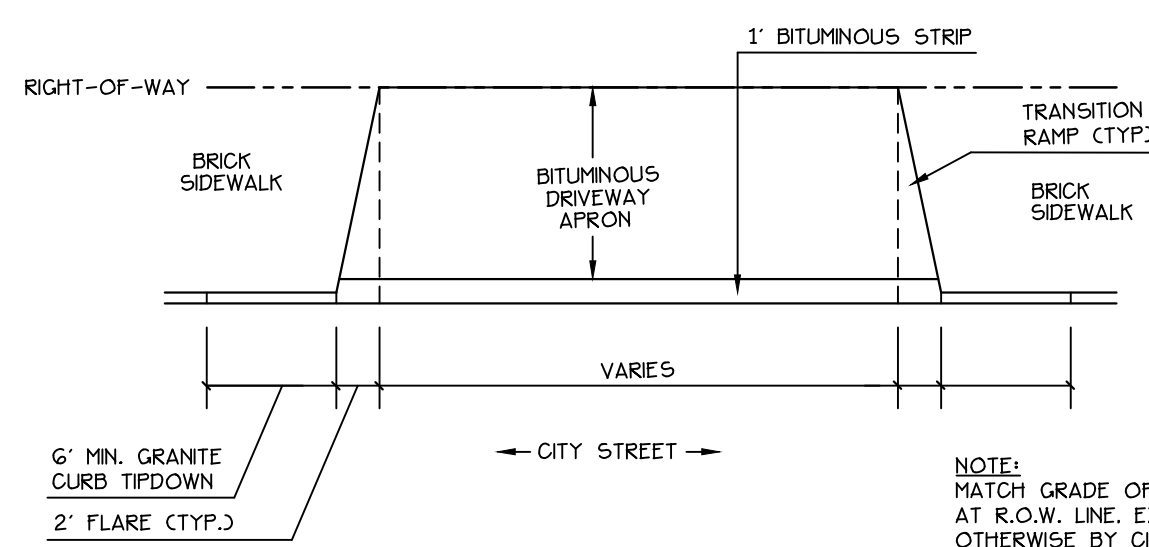
7 SLIPFORM CONCRETE CURB-DRIVEWAY
L5 NOT TO SCALE



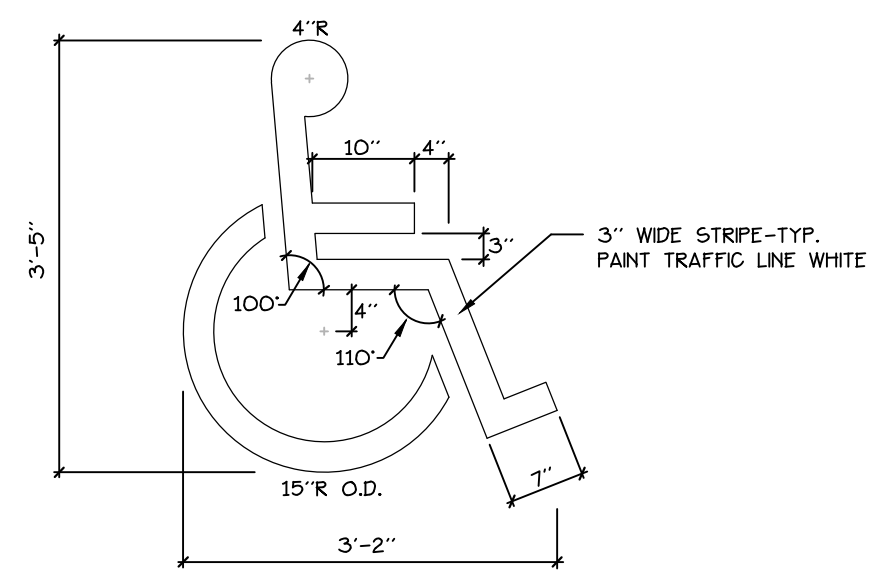
8 GRANITE TIP-DOWN CURB
L5 NOT TO SCALE



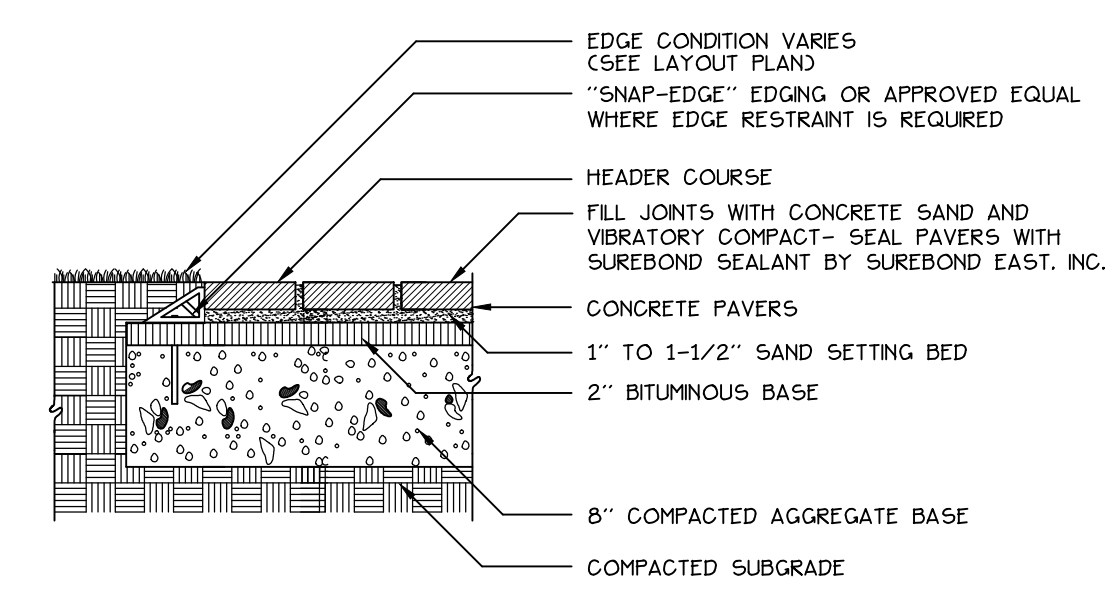
9 PAVEMENT SAWCUT DETAIL
L5 NOT TO SCALE



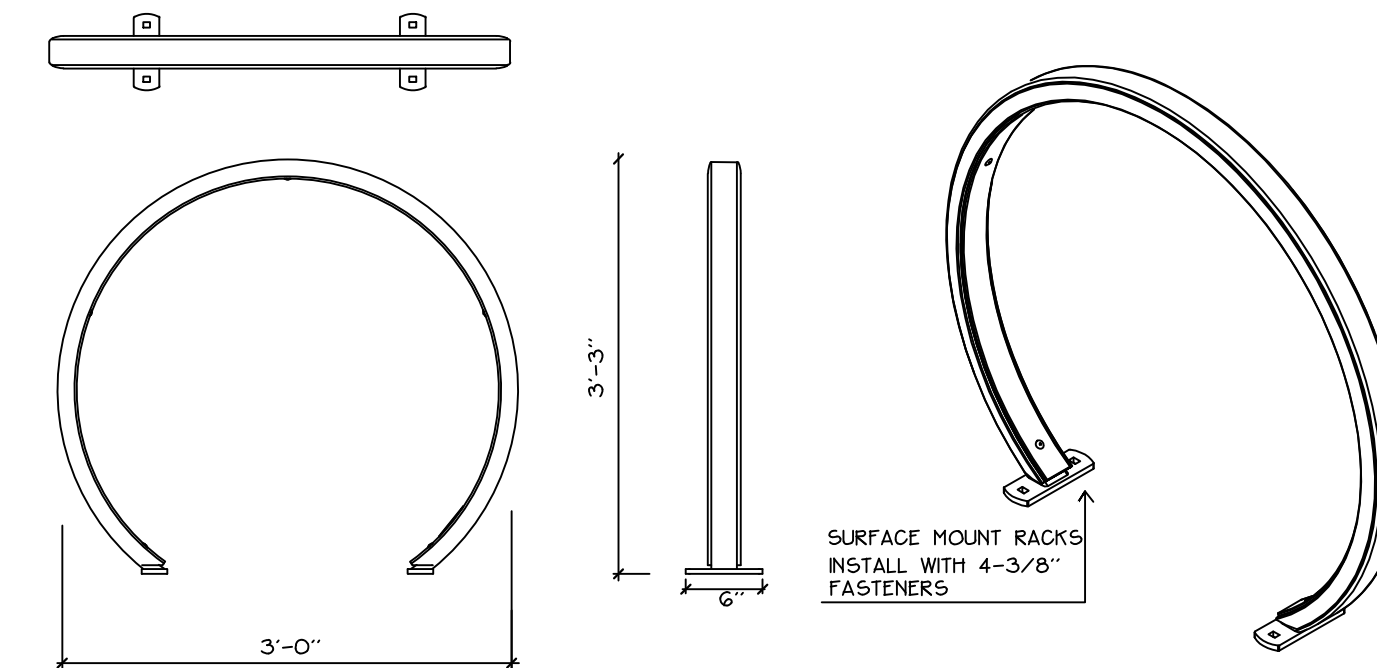
10 DRIVEWAY APRON LAYOUT
L5 NOT TO SCALE



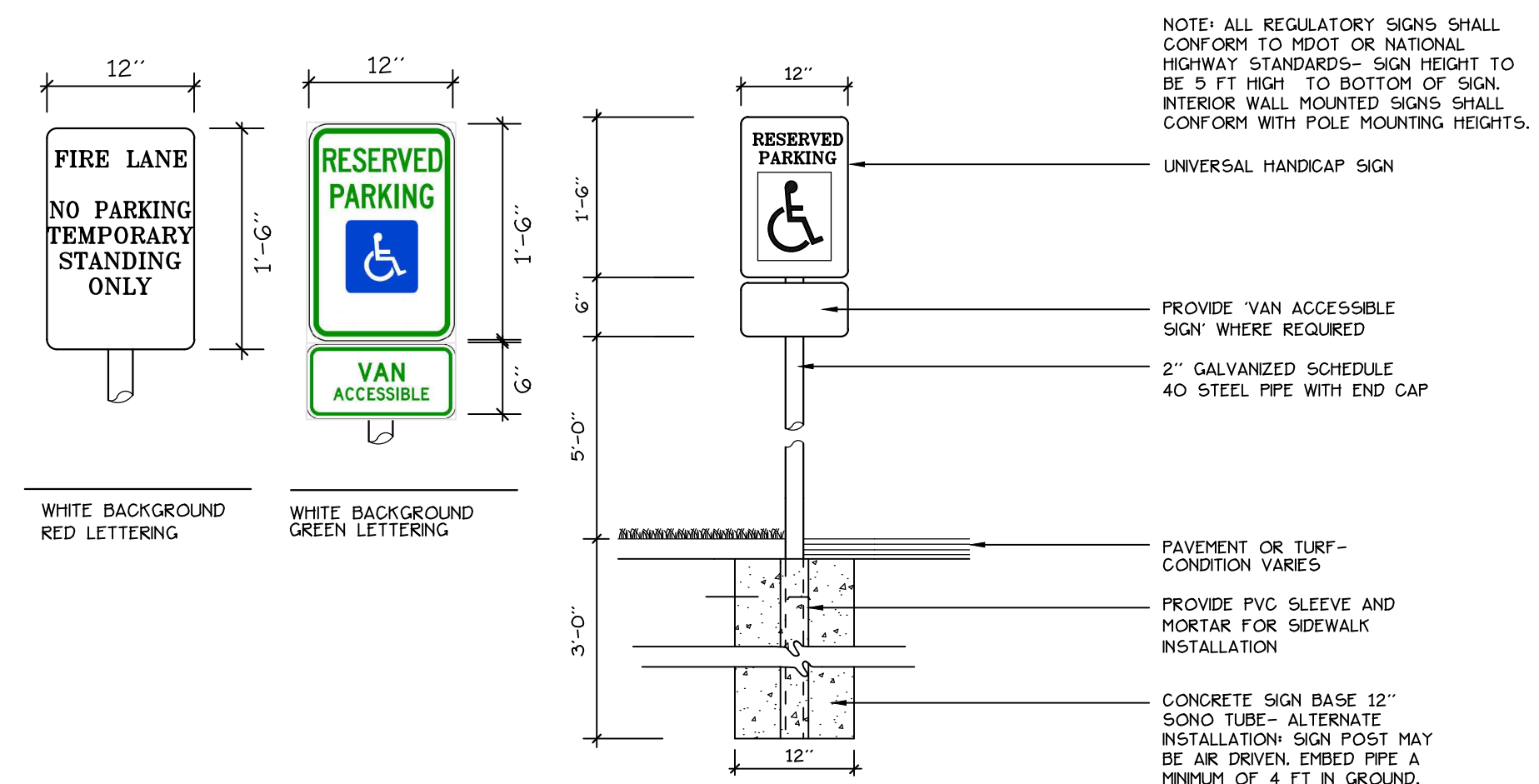
11 ACCESSIBLE SPACE MARKINGS
L5 NOT TO SCALE



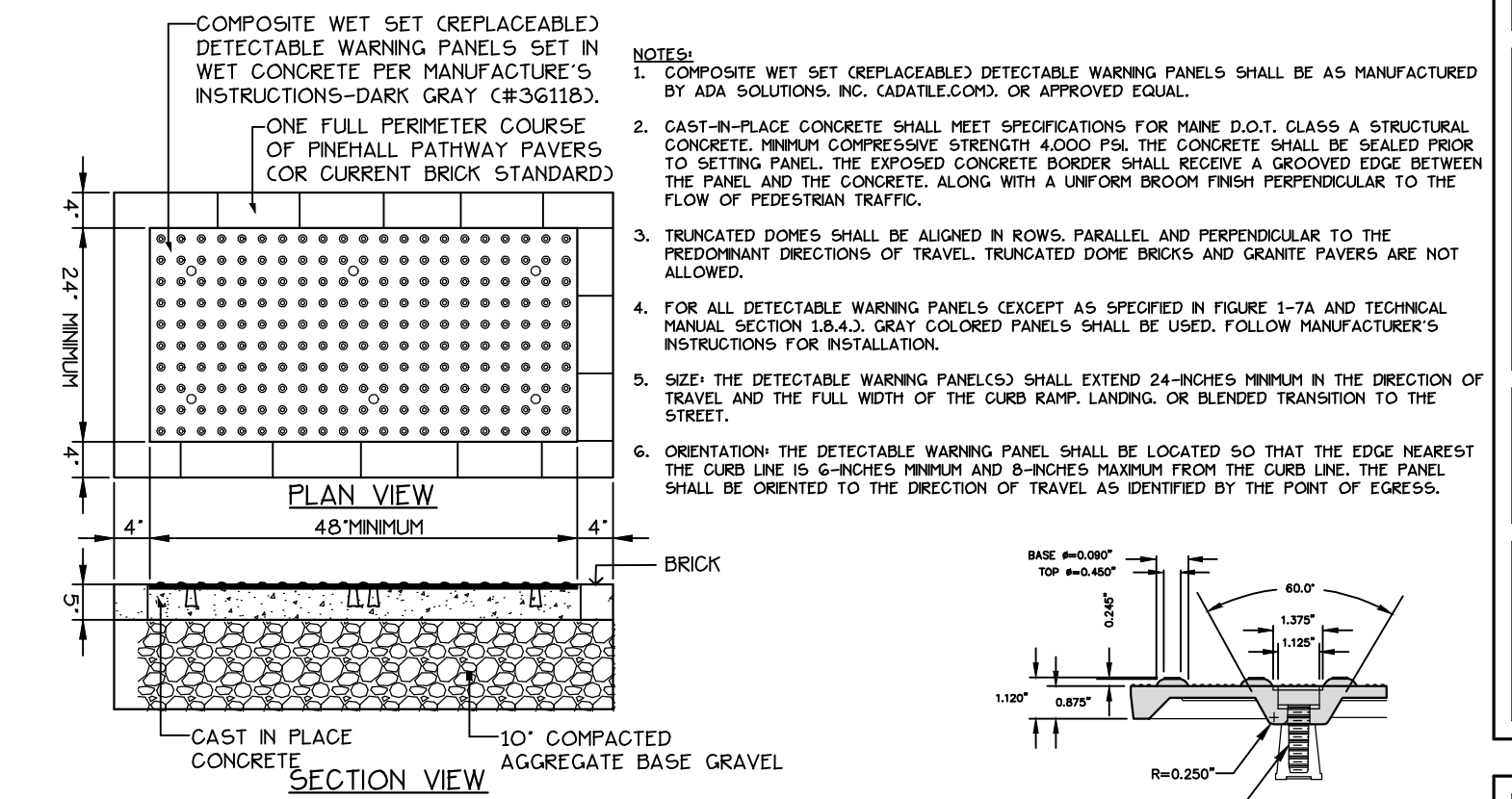
12 CONCRETE PAVERS
L5 NOT TO SCALE



13 SPORTWORKS 'OAHU' BIKE RACK DETAIL
L5 NOT TO SCALE



14 HANDICAP PARKING SIGNAGE AND REGULATORY SIGNS
L5 NOT TO SCALE



15 SIDEWALK RAMP DETECTABLE WARNING TILE
L5 NOT TO SCALE

Owner:
AVESTA
HICKORY RIDGE
AVESTA 72 BISHOP STREET, LP
307 Cumberland Avenue
Portland, Maine 04101
Tel: (207) 553-7777
Fax: (207) 553-7778

Prepared By:
Mitchell & Associates
LANDSCAPE ARCHITECTS
70 Center Street
Portland, Maine 04101
Tel: (207) 774-4427
Fax: (207) 874-2460

CWS
ARCHITECTS
431 CUMBERLAND AVENUE
PORTLAND, MAINE 04103
TEL: (207) 774-6441
FAX: (207) 774-6216

72 Bishop Street
Portland, Maine
72 Bishop Street

Date: APRIL 10, 2015

Issued For: SITE PLAN AND SUBDIVISION PLAN REVIEW

Revisions: Rev. 5/22/15

Reproduction or reuse of this document without the expressed written consent of Mitchell & Associates is prohibited.

Title: SITE DETAILS

Scale: AS SHOWN

Sheet No: L5

