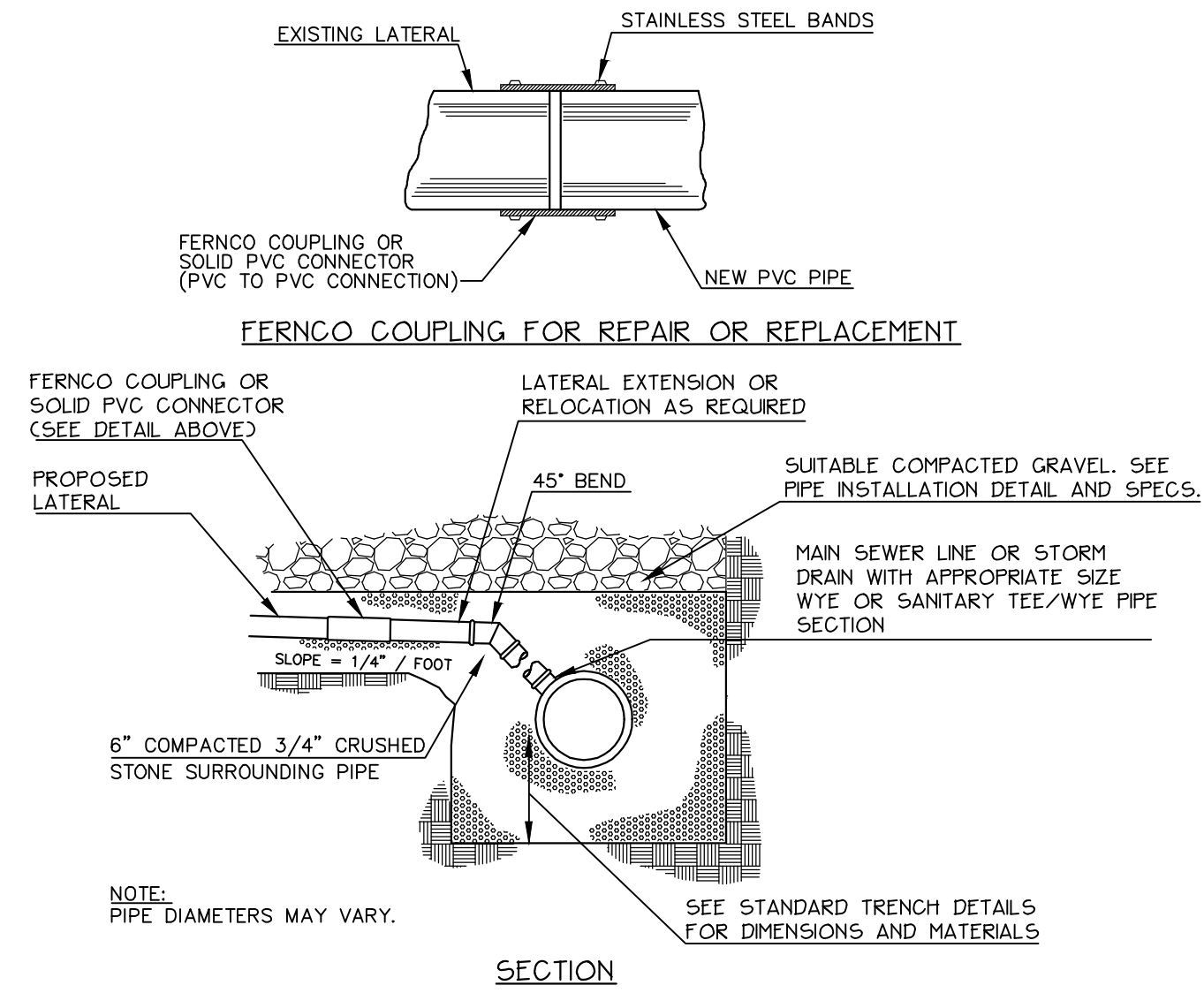
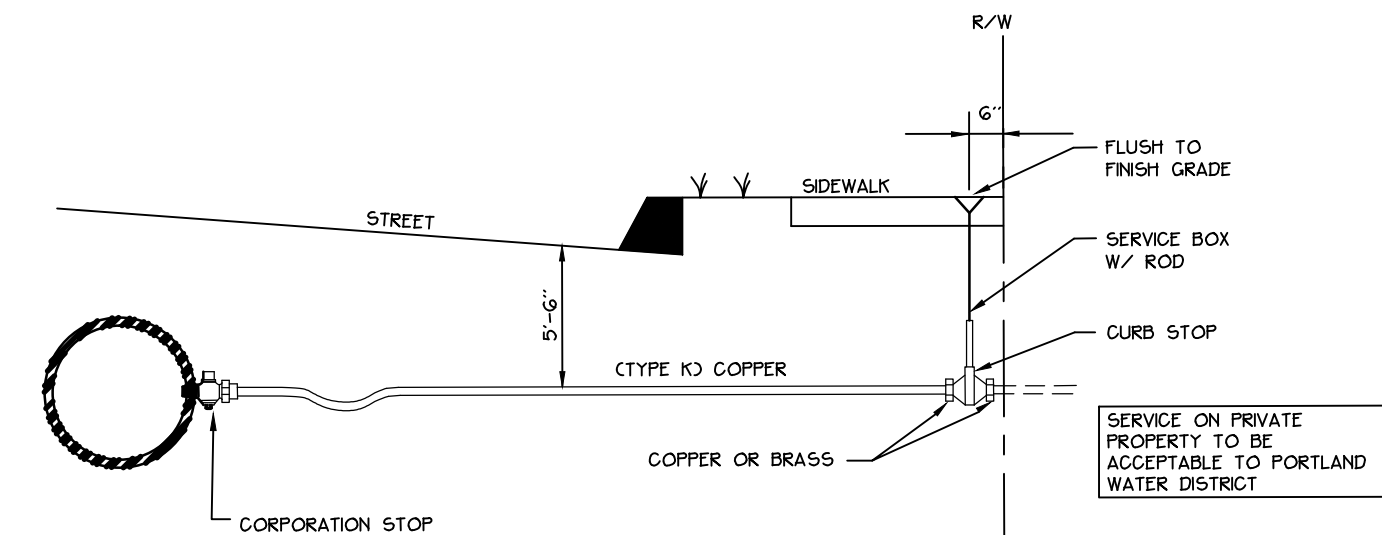


1 LG CONCRETE SEGMENTAL RETAINING WALL WITH GUARDRAIL
NOT TO SCALE

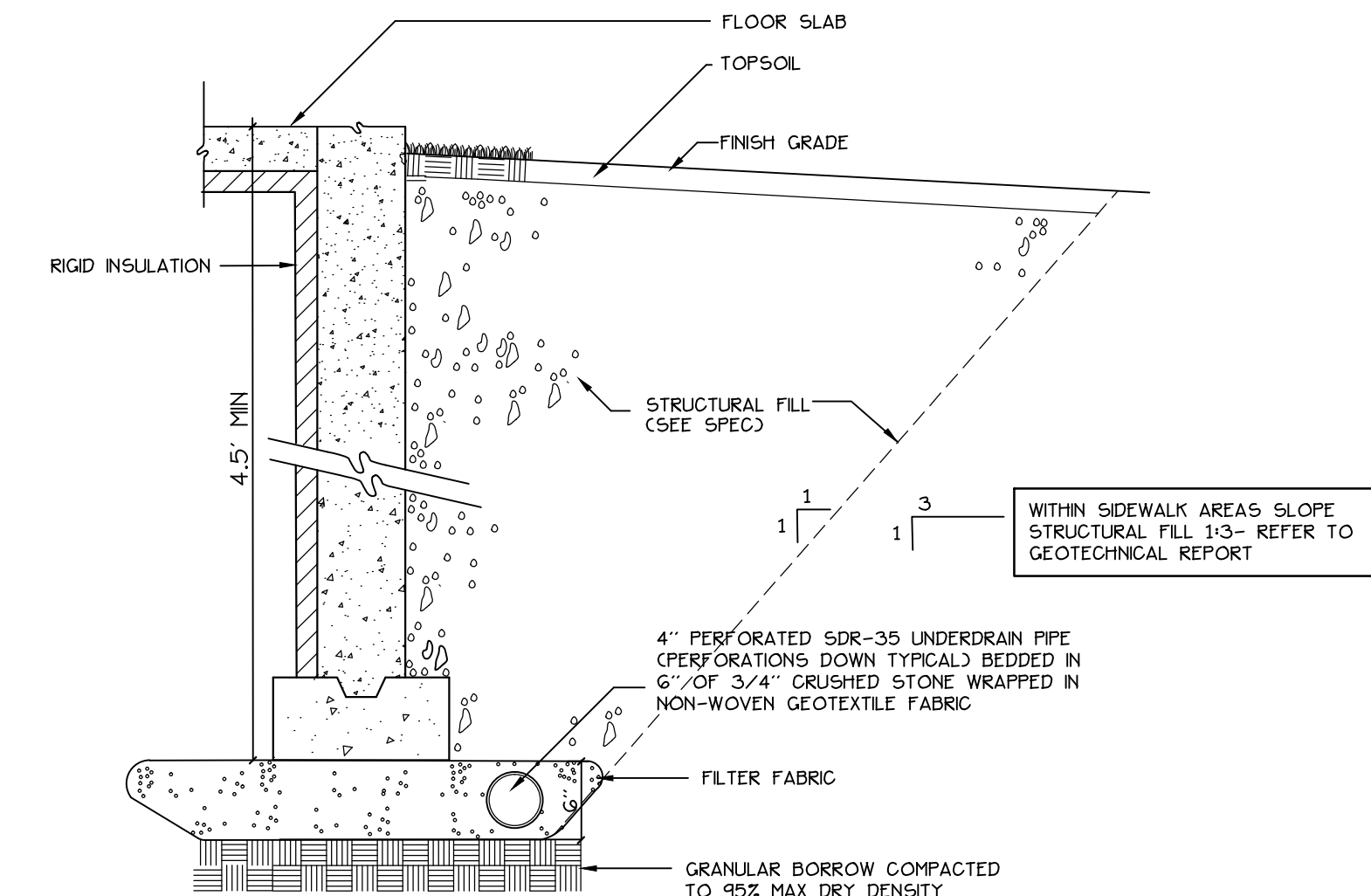
NOTES:
1. LOCATIONS AND ELEVATIONS OF STUBS ON THE PLANS ARE TO BE CONSIDERED AS APPROXIMATE AND MAY BE ADJUSTED AS DIRECTED TO SUIT FIELD CONDITIONS.
2. HOUSE CONNECTIONS AND CATCH BASIN CONNECTIONS TO BE MAIN LINE OF THE SEWER. SHALL CONSIST OF AN APPROPRIATE "Y" BRANCH CONNECTION AS SHOWN ON THE PLANS. OR AS DIRECTED. ACTUAL "Y" LOCATIONS FOR THE HOUSE CONNECTIONS AND CATCH BASIN CONNECTIONS SHALL BE DETERMINED DURING CONSTRUCTION. THE CONTRACTOR SHALL KEEP A COMPLETE RECORD OF "Y" LOCATIONS WHICH SHALL BE GIVEN TO THE CITY OF PORTLAND UPON COMPLETION OF THE CONTRACT. ALL PVC TO PVC COUPLING SHALL BE "SOLID PVC COUPLINGS".



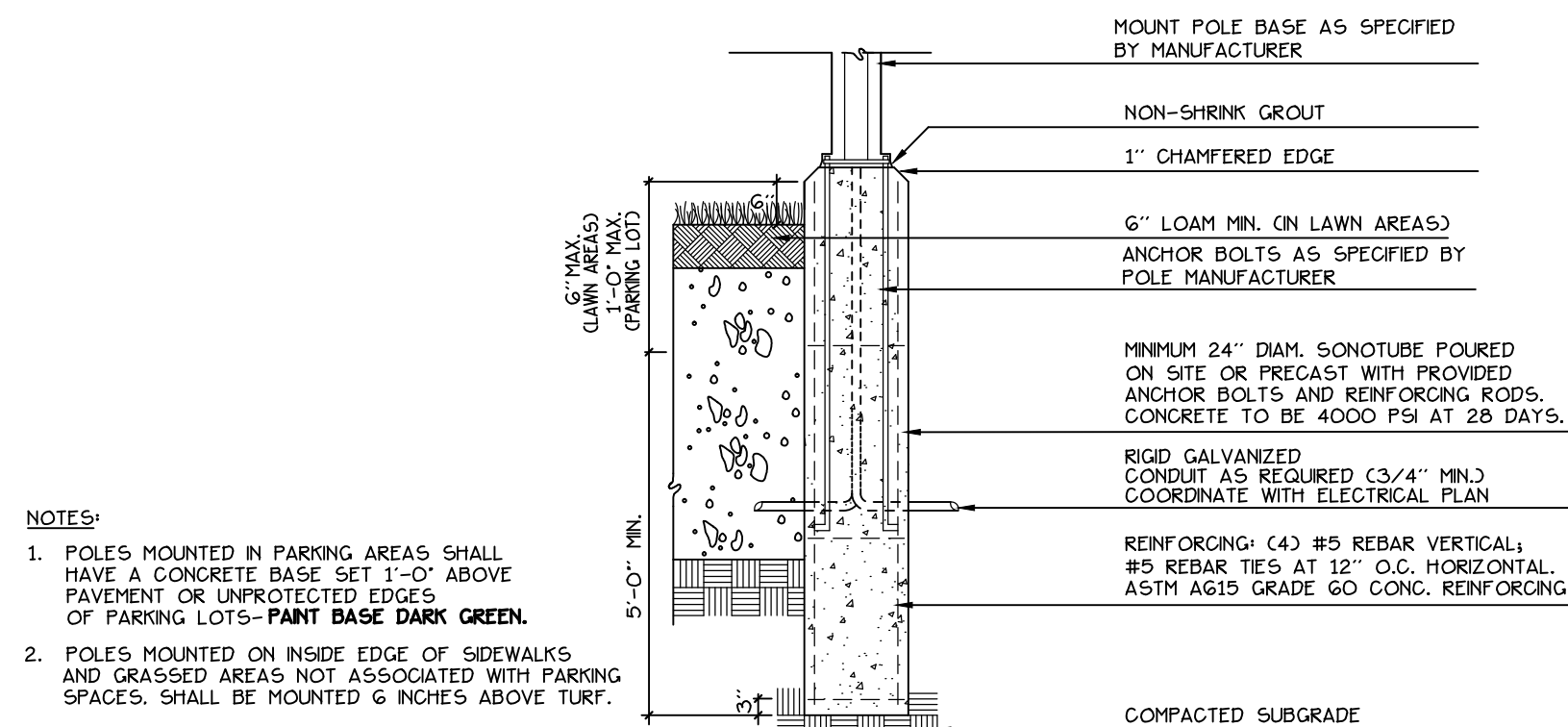
5 LG TYPICAL LATERAL WYE CONNECTION DETAIL
NOT TO SCALE



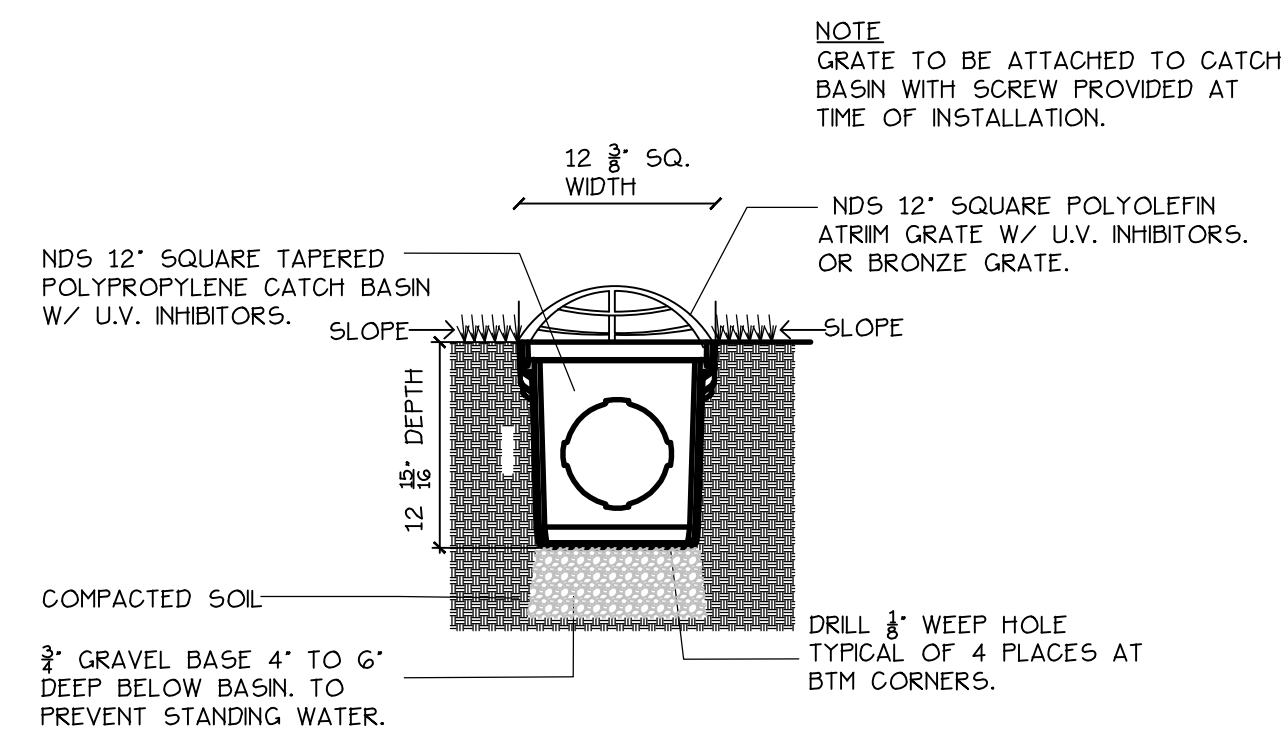
8 LG TYPICAL RESIDENTIAL WATER SERVICE CONNECTION
NOT TO SCALE



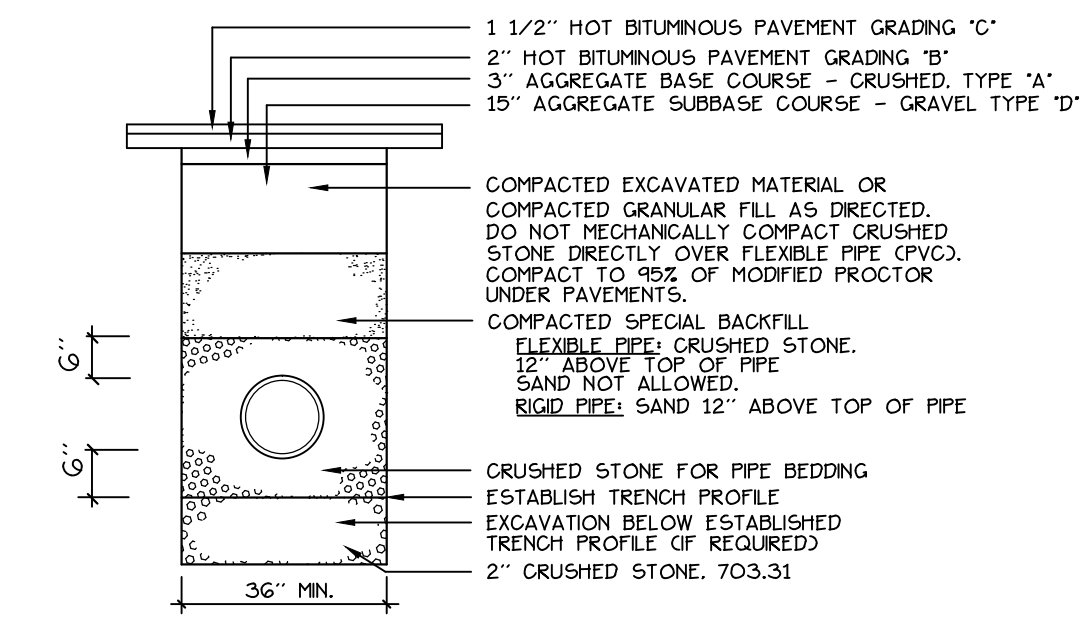
9 LG FOUNDATION UNDERDRAIN
NOT TO SCALE



2 LG LIGHT POLE BASE
NOT TO SCALE

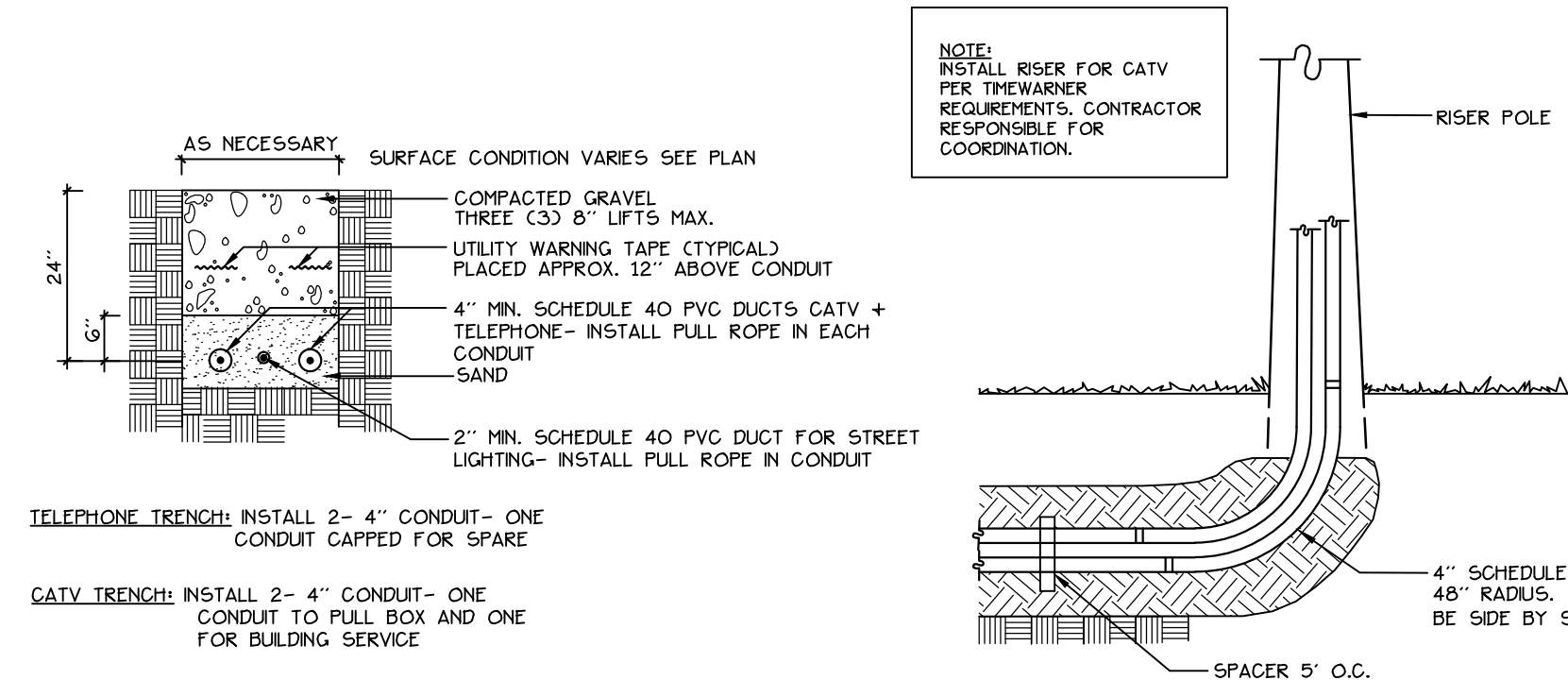


6 LG NDS 12" SQ. SHALLOW CATCHBASIN
NOT TO SCALE

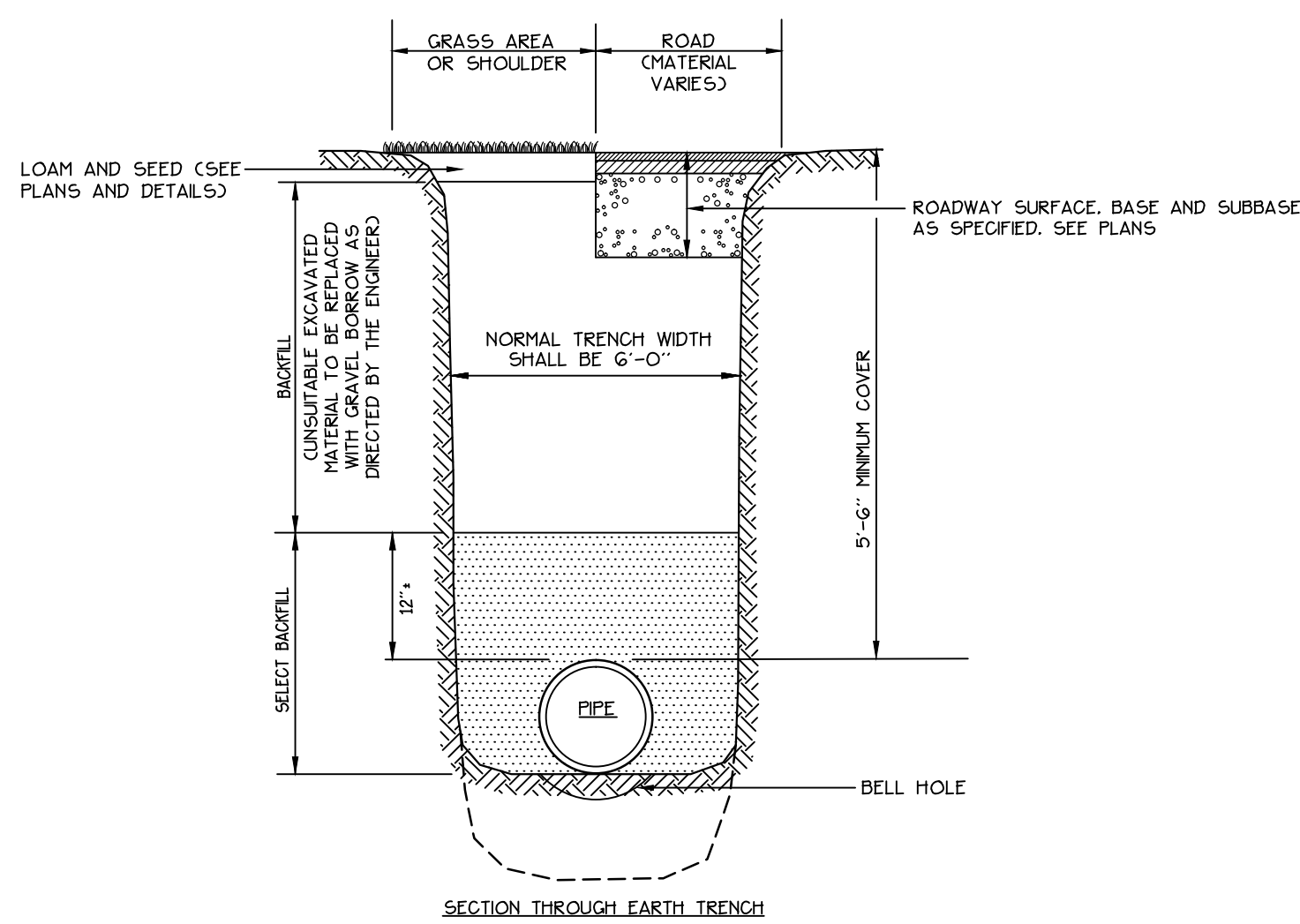


NOTES:
ANY ALTERNATE TRENCHING METHODS SHALL BE APPROVED IN ADVANCE BY THE CITY.
ALL TRENCH DIMENSIONS SHALL BE IN CONFORMANCE WITH THE CITY OF PORTLAND'S DETAIL FIGURE I-13 OF THE TECHNICAL AND DESIGN STANDARDS AND GUIDELINES.

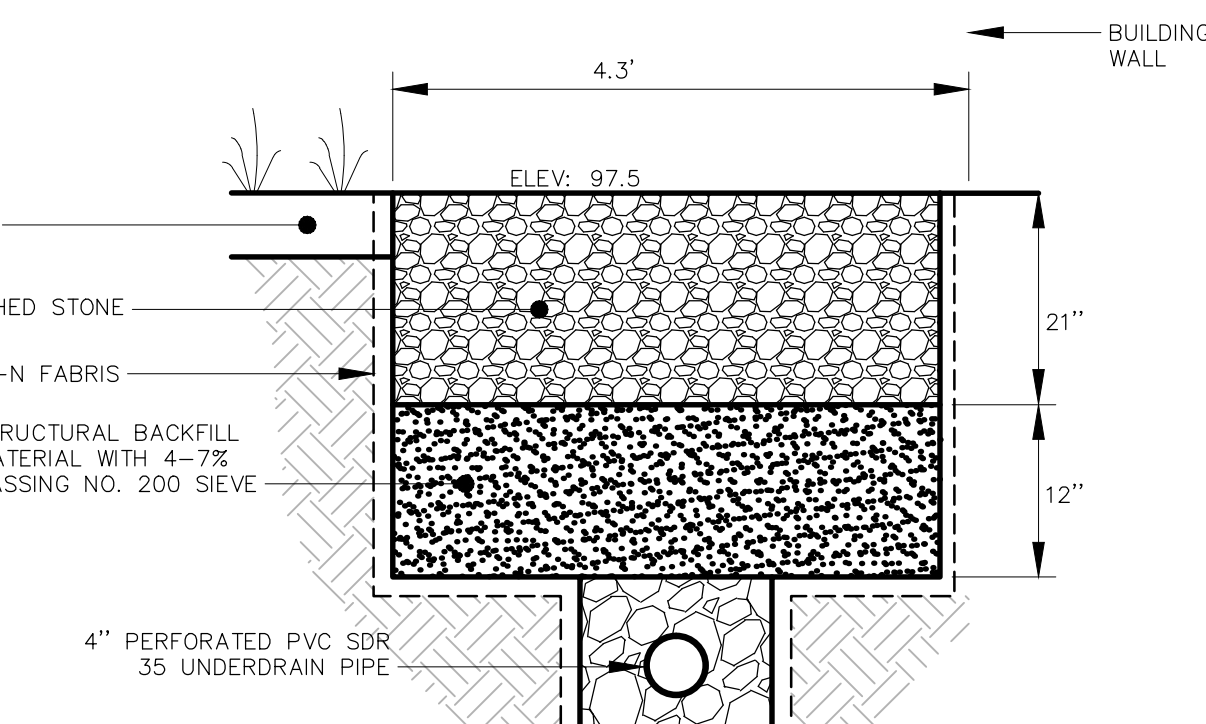
10 LG PIPE TRENCH DETAIL
NOT TO SCALE



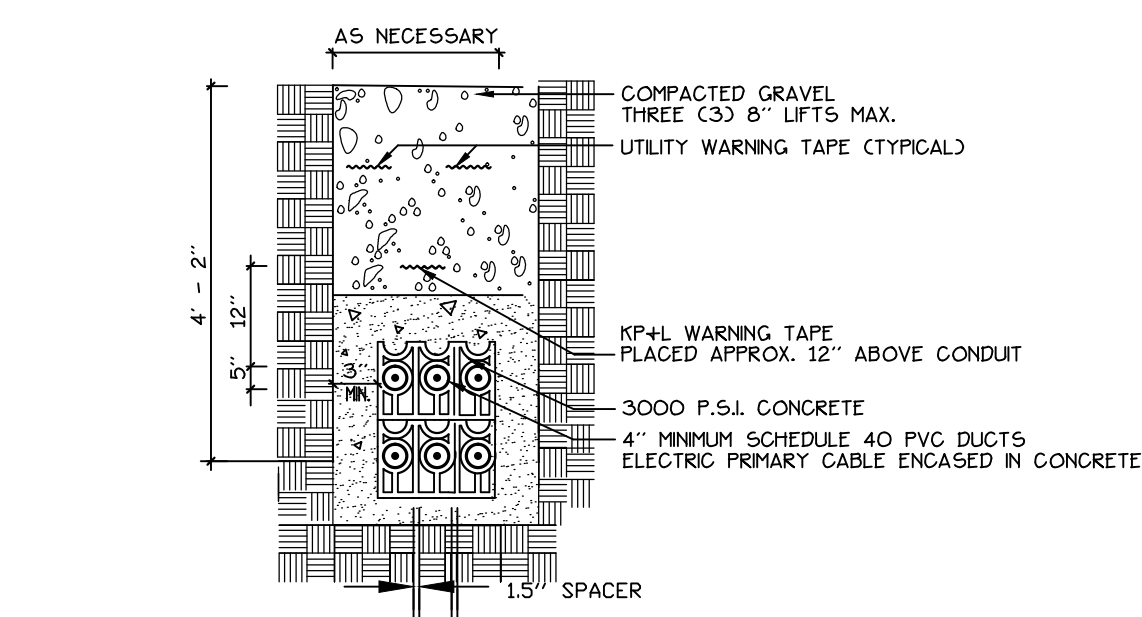
3 LG TELEPHONE / CABLE T.V. + STREET LIGHTING TRENCH
NOT TO SCALE



7 LG PORTLAND WATER DISTRICT PIPE TRENCH DETAIL
NOT TO SCALE



11 LG ROOF DRIPLINE FILTER DETAIL
NOT TO SCALE



4 LG ELECTRIC TRENCH
NOT TO SCALE

Owner:
AVESTA
INCORPORATED
AVESTA 72 BISHOP STREET, LP
307 Cumberland Avenue
Portland, Maine 04101
Tel: (207) 553-7777
Fax: (207) 553-7778

Prepared By:
Mitchell & Associates
LANDSCAPE ARCHITECTS
70 Center Street
Portland, Maine 04101
Tel: (207) 774-4427
Fax: (207) 874-2460

CWS
ARCHITECTS
451 CUMBERLAND AVENUE
PORTLAND, MAINE 04103
TEL: (207) 774-6441
FAX: (207) 774-6216

72 Bishop Street
Portland, Maine
72 Bishop Street

Date:
APRIL 10, 2015

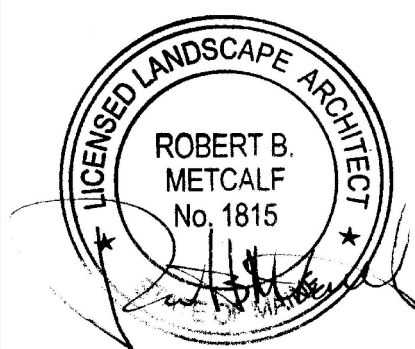
Issued For:
SITE PLAN AND
SUBDIVISION PLAN REVIEW

Revisions:
Rev. 5/22/15

Reproduction or reuse of
this document without the
expressed written consent of
Mitchell & Associates is prohibited.

Title:
SITE DETAILS

Scale:
AS SHOWN



Sheet No:
L6