

**Features**

- For connection with Dry Contact devices (i.e, pull stations, waterflow switches, etc)
- SLC Class A (Style 6, 7) & Class B (Style 4) wiring
- IDC NFPA Class B (Style B) wiring
- All wiring is power limited
- 100 ohms from module to EOLR
- All wiring is supervised
- All wiring is between #14 (max.) and #22 (min.) AWG
- Maximum standby and alarm current, 250  $\mu$ A

Note: This addressable module does not support 2-wire smoke detectors.



Product includes a 5 year warranty

**Description**

The SCM-4 module is used to monitor the contact status of a device that contains a Normally-open contact (i.e, pull station, waterflow switch, etc). When the contact is closed, the SCM-4 reports its condition to FACP. SCM-4 supervises an open circuit of wiring connected to the terminal C and NO.

SCM-4 employs one red LED to indicate the status. In normal condition, the LED flashes. When the contact is activated, the LED will turn on constantly. In case of open circuit, the LED will turn off.

Since the system allows maximum 13 LEDs to turn on constantly, if system already has 13 LEDs active, SCM-4 will not turn on the LED and keep flashing even if the contact of SCM-4 is activated.

**NOTICE**

All terminals are power limited and should be wired in accordance with the requirements of NFPA 70 (NEC) and NFPA 72 (National Fire Alarm Code). Failure to follow the wiring diagrams in the following pages will cause the system to not operate as intended. For further information, refer to the control panel installation instructions.

For more information refer to a compatible control panel manual.

**Setting the Address**

Each addressable module, smoke sensor, heat detector and combination sensor/detector must have the address set before connecting the device to the SLC loop. The address is set using the hand held device programmer or the addressing feature on the control panel.

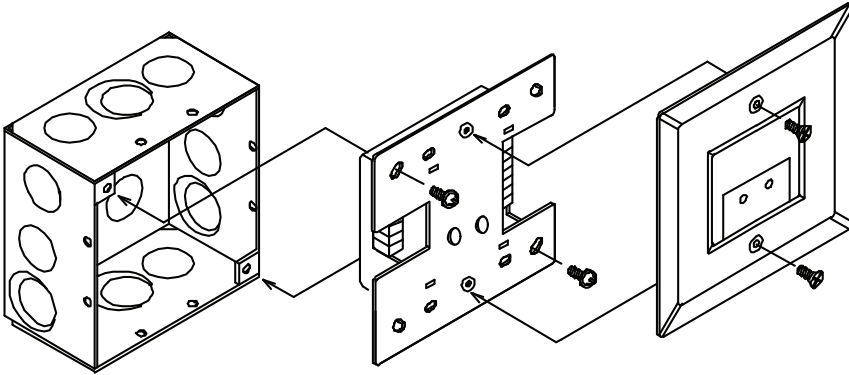
Before connecting a device to the SLC loop, take the following precautions to prevent potential damage to SLC or device. Verify the following:

1. Power to the device is removed
2. Field wiring is correctly installed.
3. Field wiring has no open or short circuits.

Document discrepancies and notify appropriate personnel.

**Installation**

Figure 1: Installation into the compatible electrical box



**Wiring Diagrams**

Figure 2: Wiring diagram in case of supervising Normally-open contact

