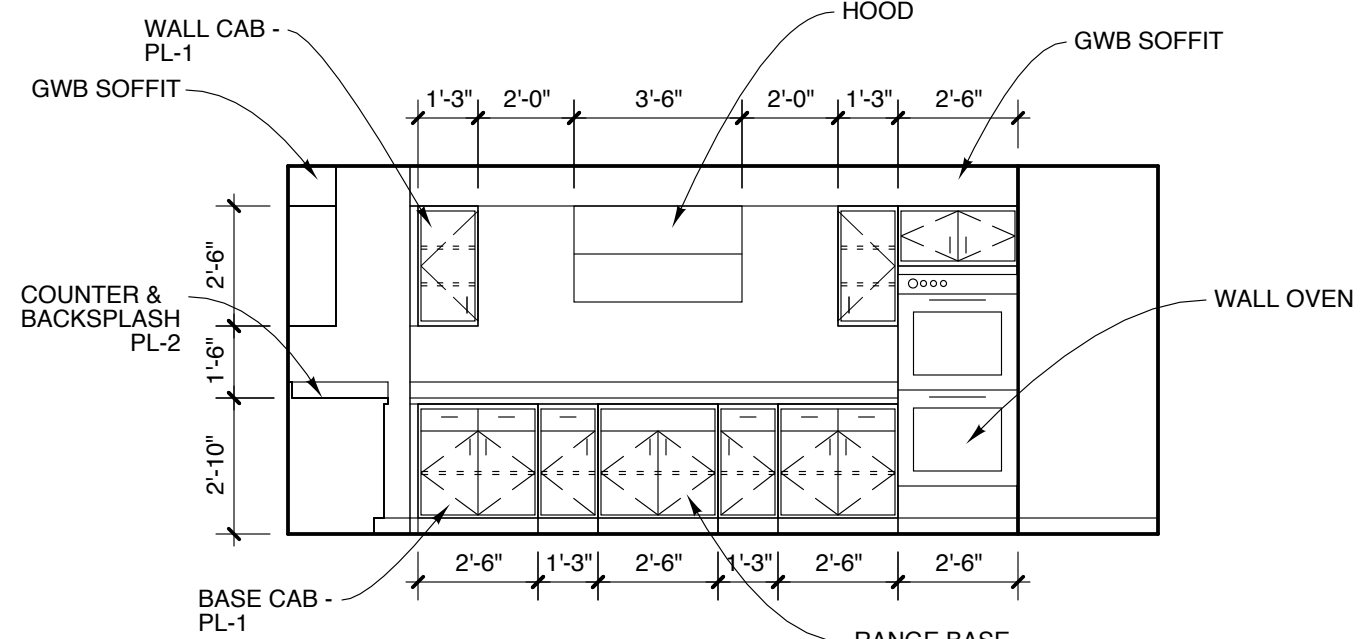


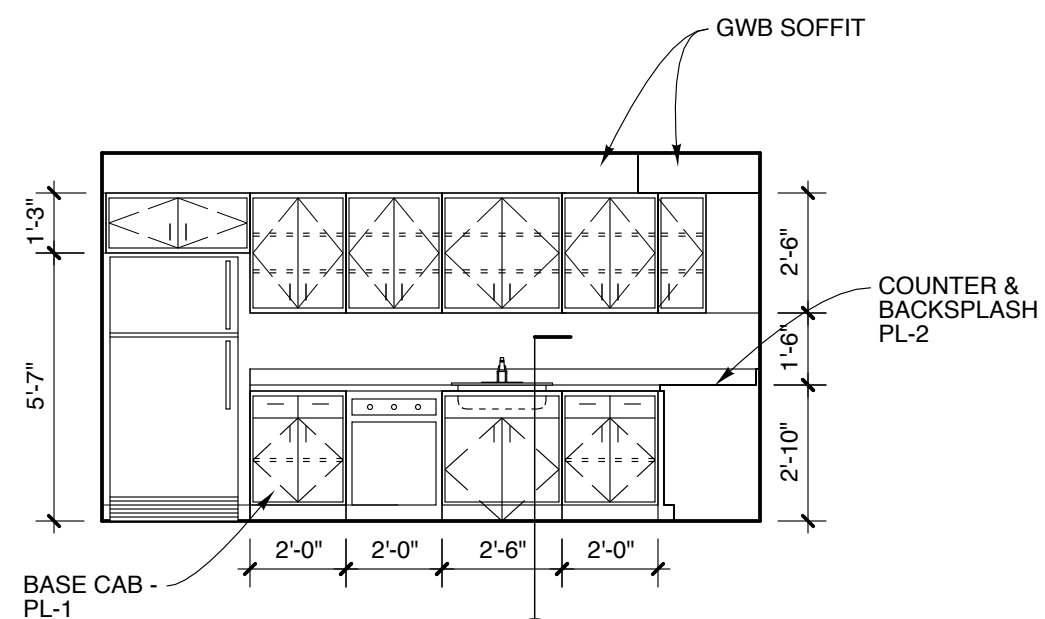
1 ELEVATION - N

SCALE: 1/4" = 1'-0"



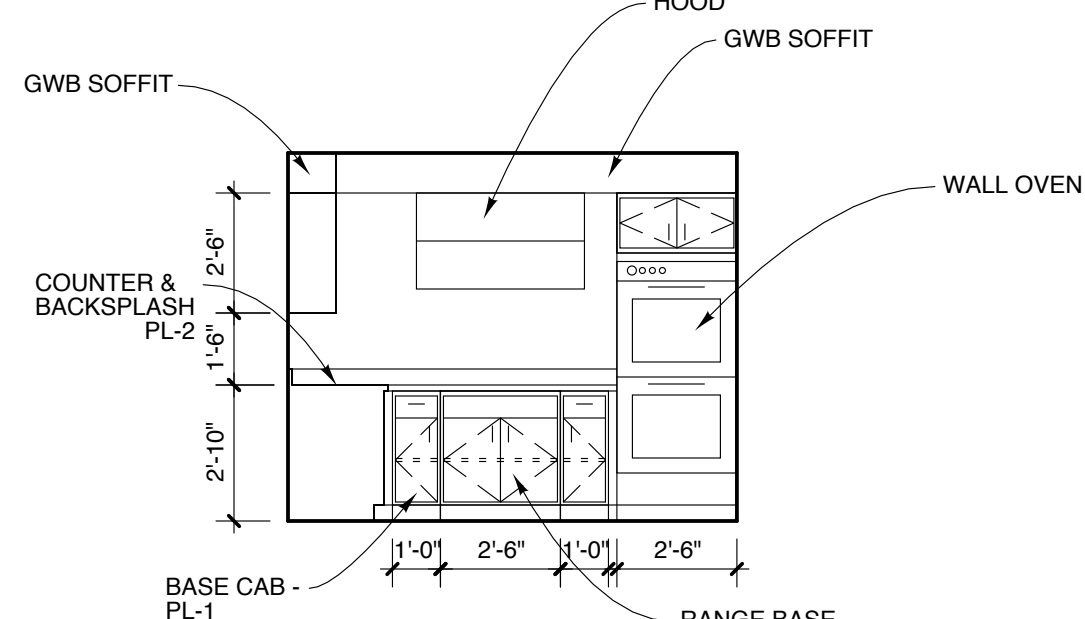
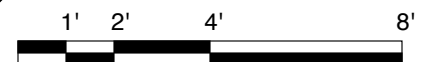
1 ELEVATION - E

SCALE: 1/4" = 1'-0"



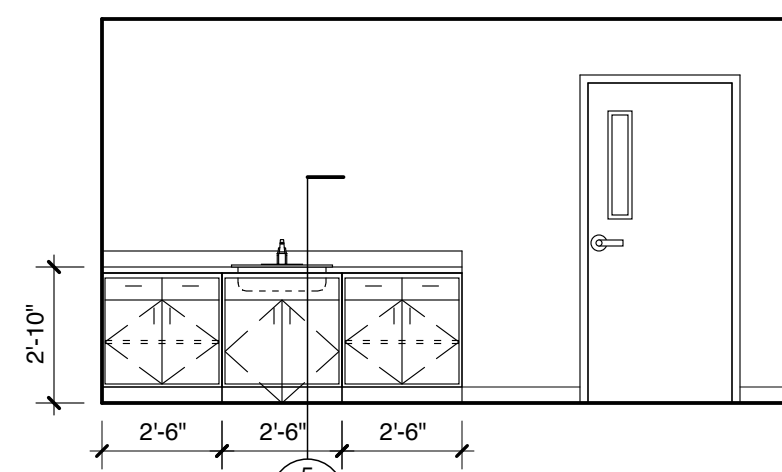
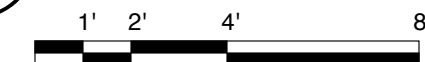
2 ELEVATION - N

SCALE: 1/4" = 1'-0"



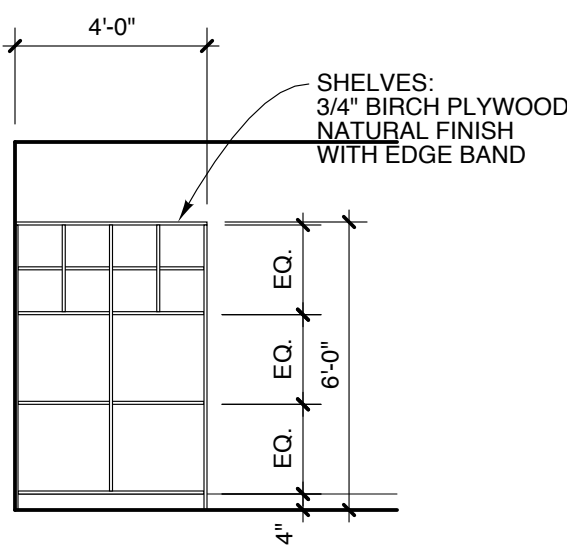
2 ELEVATION - E

SCALE: 1/4" = 1'-0"



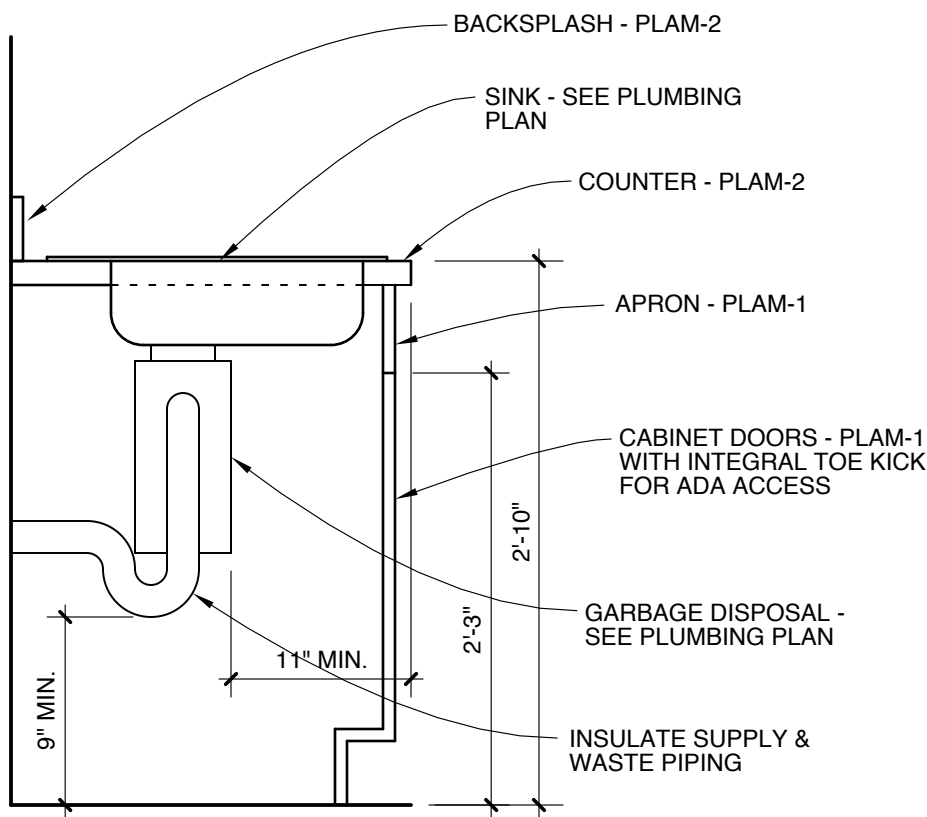
3 ELEVATION

SCALE: 1/4" = 1'-0"



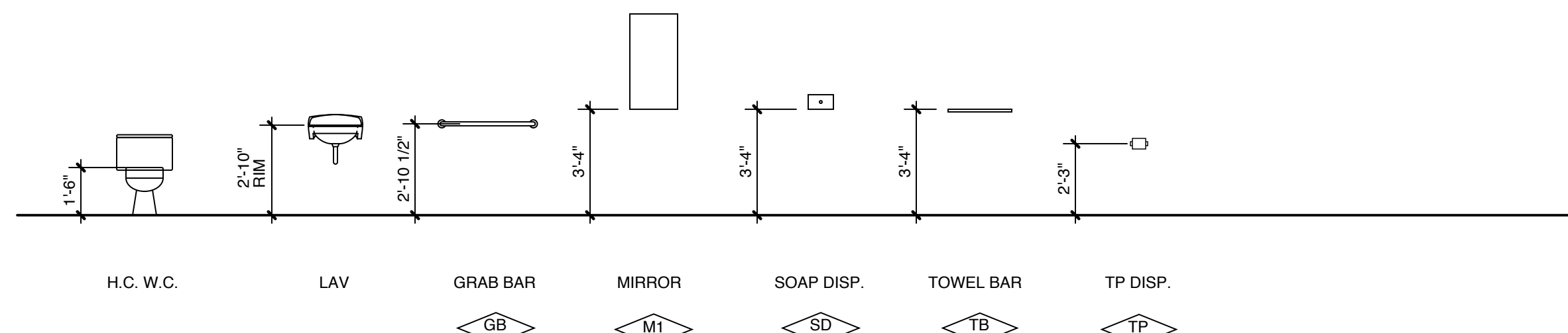
4 ELEVATION

SCALE: 1/4" = 1'-0"



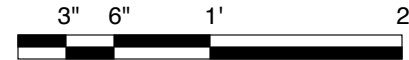
5 DETAIL

SCALE: 1" = 1'-0"



6 BATHROOM FIXTURE MOUNTING HEIGHTS

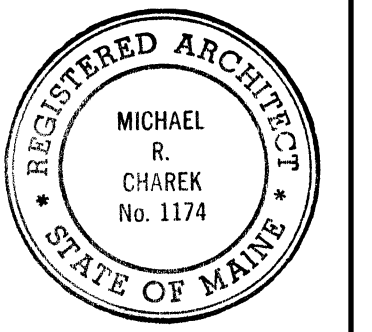
SCALE: 1/4" = 1'-0"



NOTE: PROVIDE SOLID WOOD BLOCKING IN WALL FOR MOUNTING OF ALL WALL-MOUNTED ITEMS

Michael Charek Architects

25 Hartley Street
Portland, Maine 04103
(207) 761-0556



Spurwink Bishop Street

17 Bishop Street
Portland, ME 04103

Title

INTERIOR ELEVATIONS AND DETAILS

Scale: AS NOTED

Date: 3/4/09

Revisions

ISSUED FOR PERMIT

Sheet

A5