
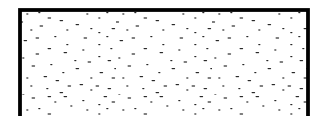
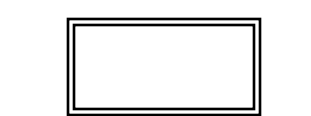
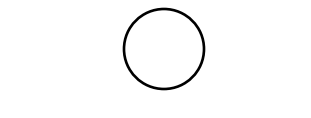
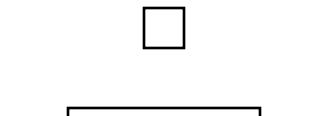
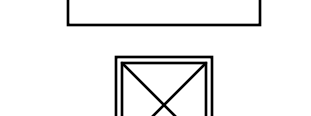
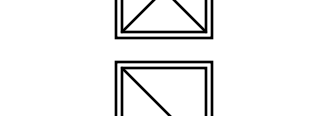
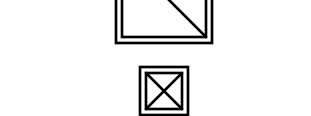
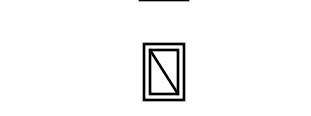





CEILING PLAN LEGEND

-  SUSPENDED ACOUSTICAL CEILING
-  SUSPENDED GYPSUM BOARD CEILING
-  FLUORESCENT TROFFER 2' X 4'
-  SURFACE FLUORESCENT
-  SURFACE FLUORESCENT
-  SURFACE FLUORESCENT
-  SUPPLY REGISTER
-  RETURN REGISTER
-  SUPPLY REGISTER
-  RETURN REGISTER
-  EXHAUST FAN
-  SPRINKLER HEAD

CEILING PLAN GENERAL NOTES

- A. WITHIN WORK AREA, PROVIDE NEW CEILING TILES IN AREAS WHERE EXISTING GRID REMAINS.
- B. LIGHT FIXTURES, HVAC ELEMENTS, AND SPRINKLER HEADS ARE SHOWN FOR COORDINATION PURPOSES. REFER TO MECHANICAL AND ELECTRICAL DRAWINGS FOR MORE INFORMATION.

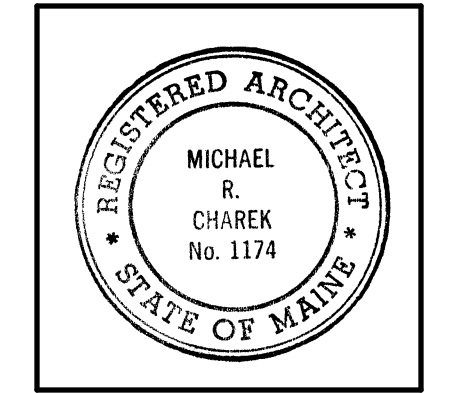
NEW WORK KEYNOTES

- [N01] SLOPE GWB CEILING UP TO TOP OF WINDOW CASING.
- [N02] PROVIDE 24" X 24" ACCESS PANEL IN CEILING, LOCATED TO PROVIDE ACCESS TO SERVICE POINTS ON FURNACE UNIT ABOVE CEILING.

1 FIRST FLOOR REFLECTED CEILING PLAN

SCALE: 1/4" = 1'-0"
 1" 2" 4" 8"

Michael Charek Architects
 25 Hartley Street
 Portland, Maine 04103
 (207) 761-0556



Spurwink Bishop Street
 17 Bishop Street
 Portland, ME 04103

Title
 FIRST FLOOR REFLECTED CEILING PLAN

Scale: 1/4" = 1'-0"

Date: 3/4/09

Revisions
ISSUED FOR PERMIT

Sheet
A2