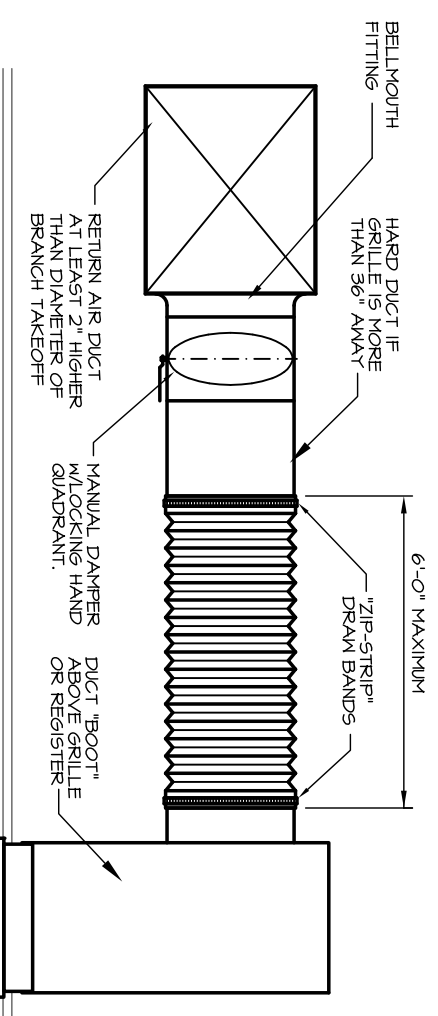
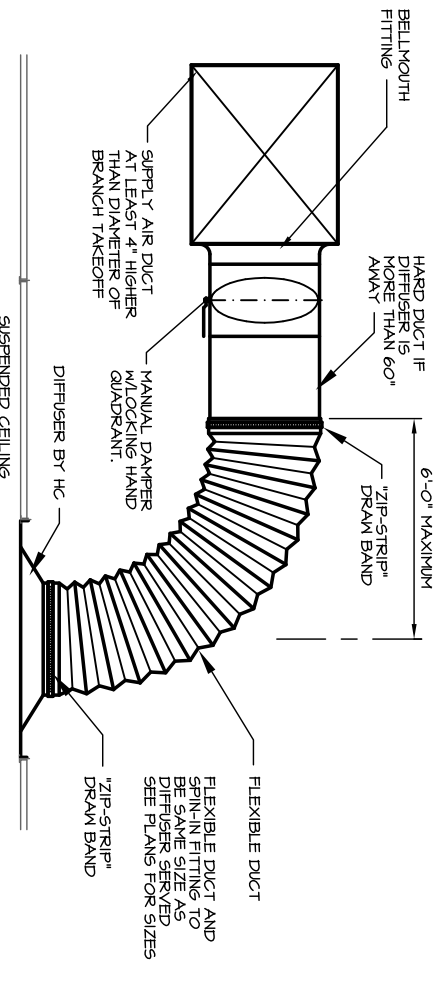


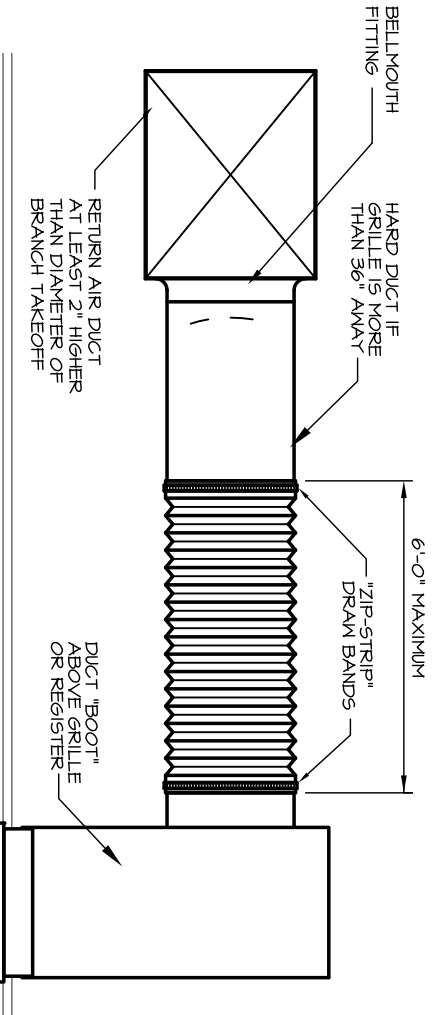
1 FLEXIBLE DUCT SUPPORT DETAIL  
 NO SCALE



4 FLEXIBLE DUCT & SUPPLY DIFFUSER CONNECTION  
 NO SCALE



3 FLEXIBLE DUCT & DIFFUSER CONNECTION DETAIL  
 NO SCALE



5 FLEXIBLE DUCT RETURN GRILLE CONNECTION  
 NO SCALE

### AIR TERMINAL SCHEDULE

TAG	SIZE	MODEL	REMARKS
D1	12"X12"	ANEMOSTAT DM	TWO-WAY CORNER BLOW DIFFUSER
D2	8" ROUND	EXISTING	CLEAN AND REUSE EXISTING LAY-IN T-BAR DIFFUSERS
G1	14"X10"	ANEMOSTAT X30	RETURN GRILLE - 3/4" BLADE SPACING
G2	22" X 22"	ANEMOSTAT XAC3L	LAY-IN T-BAR RETURN GRILLE - 3/4" BLADE SPACING

D# DEVICE TAG  
 100 DEVICE CFM

### FAN SCHEDULE

TAG	TYPE	CFM	SP	HP	ELECTRIC	REMARKS
EF-1	ROOF-MOUNTED DIRECT DRIVE	400	0.625"	1/8	120V-60-1Φ	UPBLAST WITH HINGED ROOF CAP AND VENTED PITCHED ROOF CURB
EF-2	ROOF-MOUNTED DIRECT DRIVE	400	0.625"	1/8	120V-60-1Φ	UPBLAST WITH HINGED ROOF CAP AND VENTED PITCHED ROOF CURB
EF-3	CEILING MOUNTED EXHAUST	110	0.1"	---	120V-60-1Φ	FAN WITH HUMIDITY SENSING AND TIME DELAY -- MAXIMUM 2.0 SONES
EF-4	CEILING MOUNTED EXHAUST	110	0.1"	---	120V-60-1Φ	FAN WITH HUMIDITY SENSING AND TIME DELAY -- MAXIMUM 2.0 SONES
EF-5	CEILING MOUNTED EXHAUST	110	0.1"	---	120V-60-1Φ	FAN WITH HUMIDITY SENSING AND TIME DELAY -- MAXIMUM 2.0 SONES
EF-6	CEILING MOUNTED EXHAUST	110	0.1"	---	120V-60-1Φ	FAN WITH HUMIDITY SENSING AND TIME DELAY -- MAXIMUM 2.0 SONES
EF-7	CEILING MOUNTED EXHAUST	110	0.1"	---	120V-60-1Φ	FAN WITH HUMIDITY SENSING AND TIME DELAY -- MAXIMUM 2.0 SONES

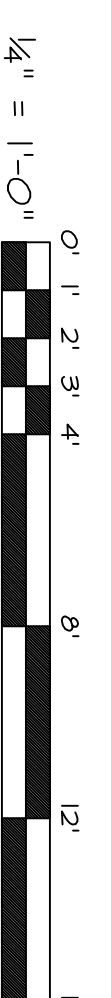
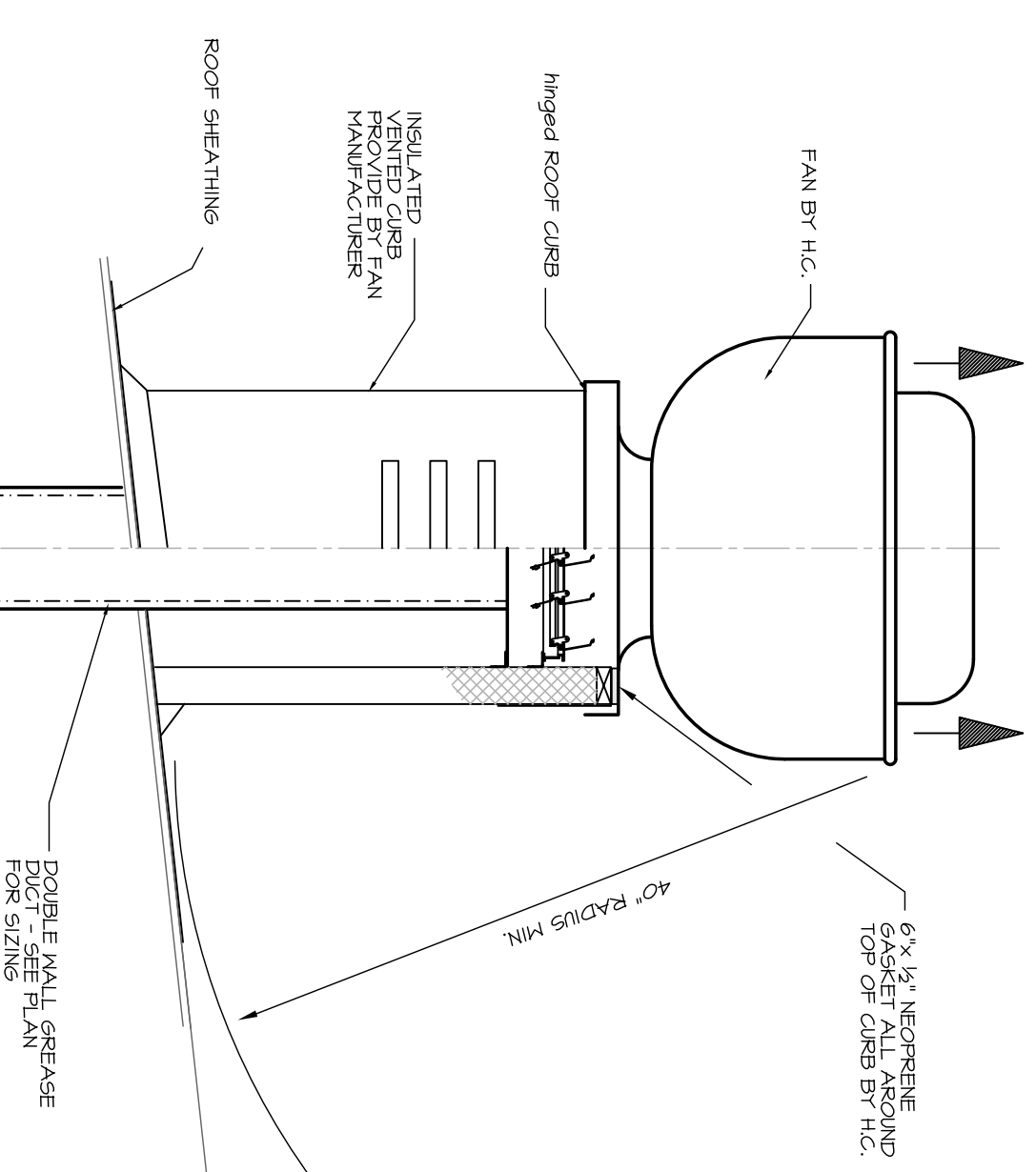
### GENERAL NOTES

- All work shall be in accordance with the Intentional Mechanical Code, state and local laws, codes and ordinances, National Fire Code (NFPA), or these plans or specifications, whichever is more strict.
- All drawings are schematic only and are intended to indicate the intent, extent, and general arrangement of work. They are not meant to show every fitting, change of direction or every situation. Verify locations in the field. Work indicated shall be furnished complete to perform the function intended.
- Carefully coordinate the space requirements and location of ductwork with the other trade contractors. Priority given to gravity drainage piping.
- No structural members shall be cored or cut without approval of the Structural Consultant.
- All ductwork shall be supported from the building structure.
- Insulate first 6'-0" of return ductwork with 1/2" internal acoustical duct liner.
- Supply and outside air ductwork shall be insulated with 1 1/2" foil faced duct wrap. Mechanical contractor to install all low voltage controls and all low voltage control wiring.
- Refer to Architectural reversed ceiling plans for Rg41D Locations. Coordinate ductwork height with General Contractor.
- All ductwork to be fabricated and installed per SHACNA low pressure ductwork standards.
- Flexible duct runs to be limited to 6'-0". All flexible ductwork to be UL 181 Listed.

### LEGEND

- LAY-IN T-BAR SUPPLY DIFFUSER
- CLEAN AND REUSE EXISTING SUPPLY DIFFUSERS
- LAY-IN T-BAR RETURN GRILLE
- 2-WAY CORNER BLOW CEILING DIFFUSER
- RETURN AIR GRILLE IN SHEET ROCK CEILING
- CEILING-MOUNTED EXHAUST FAN
- FLEXIBLE DUCTWORK - UL LISTED 181
- MINI-BELLMOUTH TAKE-OFF FOR SUPPLIES WITH LOCKING QUADRANT DAMPER
- MINI-BELLMOUTH TAKE-OFF FOR RETURNS
- ZONE THERMOSTAT WITH LOCKING COVER
- ZONE MOTORIZED DAMPER
- BAROMETRIC ADJUSTABLE RELIEF DAMPER

3 ENLARGED EXHAUST FAN DETAIL  
 NO SCALE



1/4" = 1'-0"

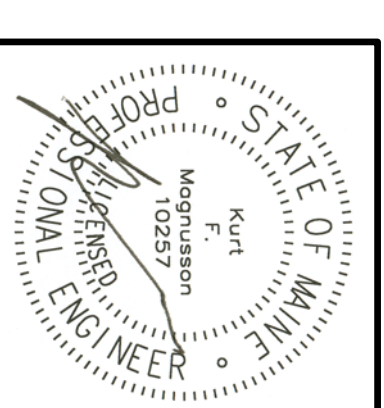


MECHANICAL SYSTEMS ENGINEERS  
 ROYAL RIVER CENTER, UNIT #10  
 100 FOREST FALLS DRIVE  
 PORTLAND, MAINE 04103  
 VOICE: (207) 846-1441  
 FAX: (207) 846-1443  
 mch@mechse.com  
 © September 2009

© 2009 Michael R. Charek, Architect

Spurwink Bishop Street

17 Bishop Street  
 Portland, Maine  
 04103



Michael R. Charek  
 Architect

25 Hartley Street  
 Portland, Maine 04103  
 (207) 761-0556

MECHANICAL SCHEDULES DETAILS

Scale: 1/4" = 1'-0"

Date: 3/2/09

Revisions

Sheet

M3

ME 008 NO. 0009