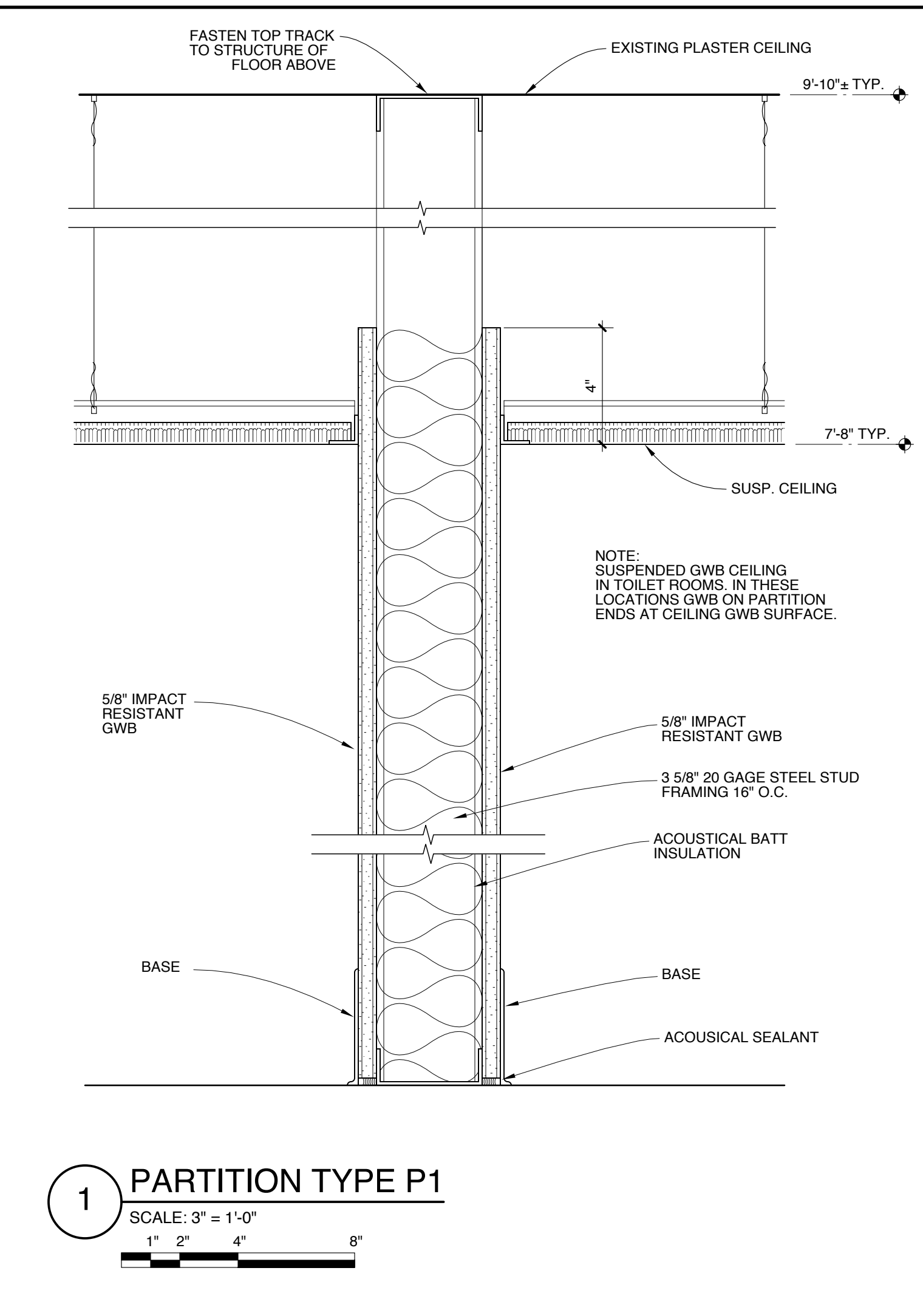
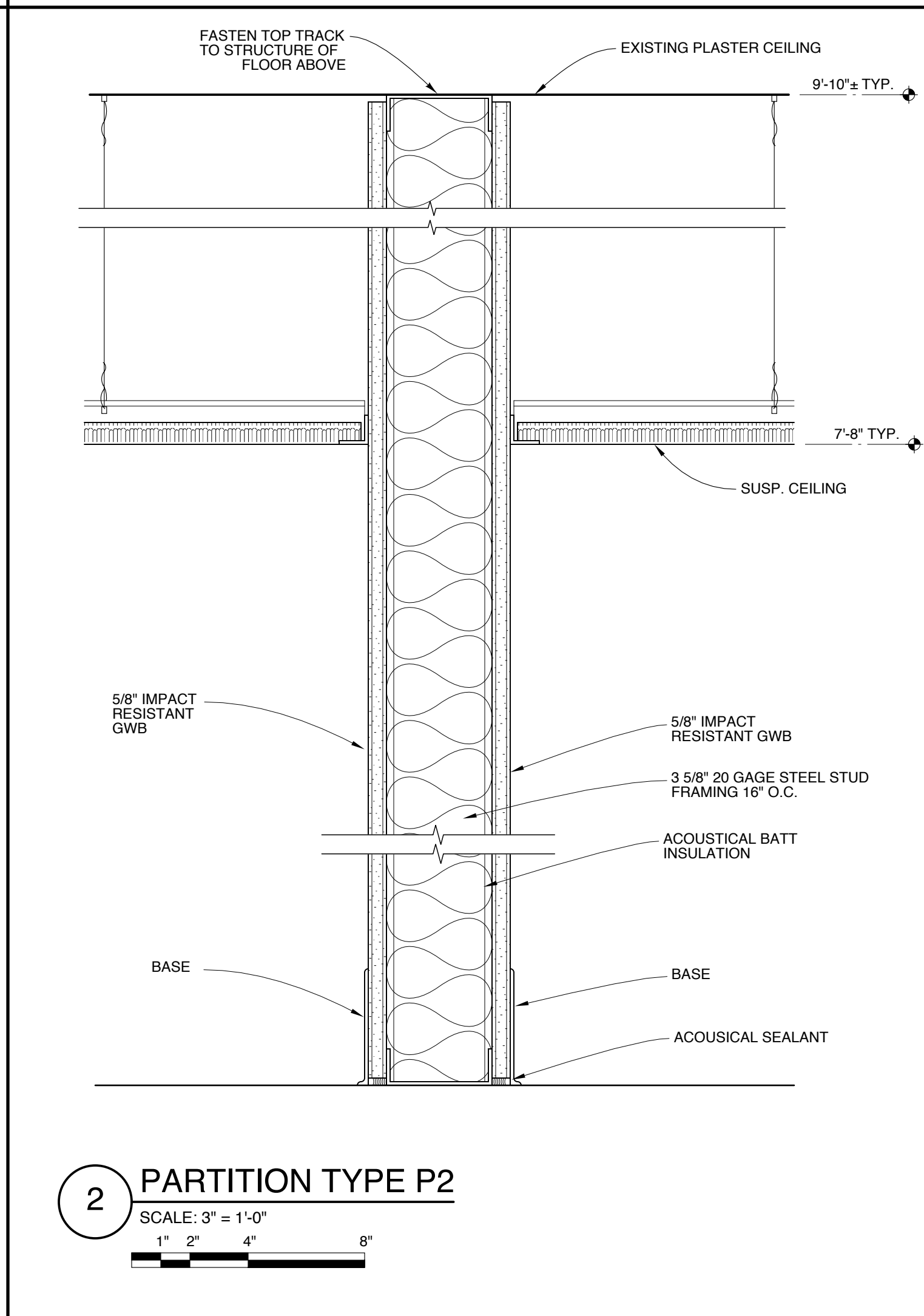


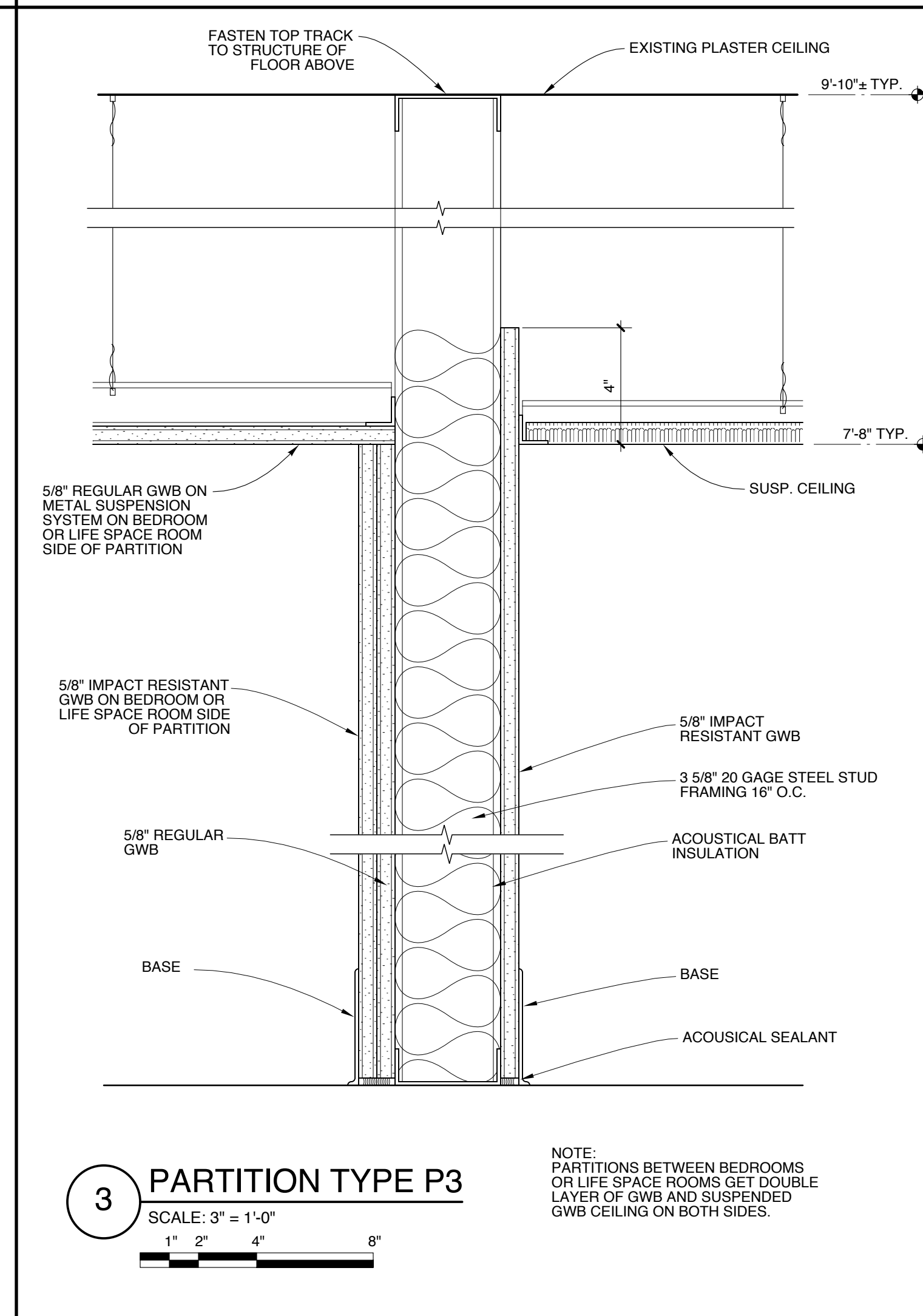
5 DUCT SHAFT SECTION
SCALE: 1 1/2" = 1'-0"
2" 4" 8" 1'-4"



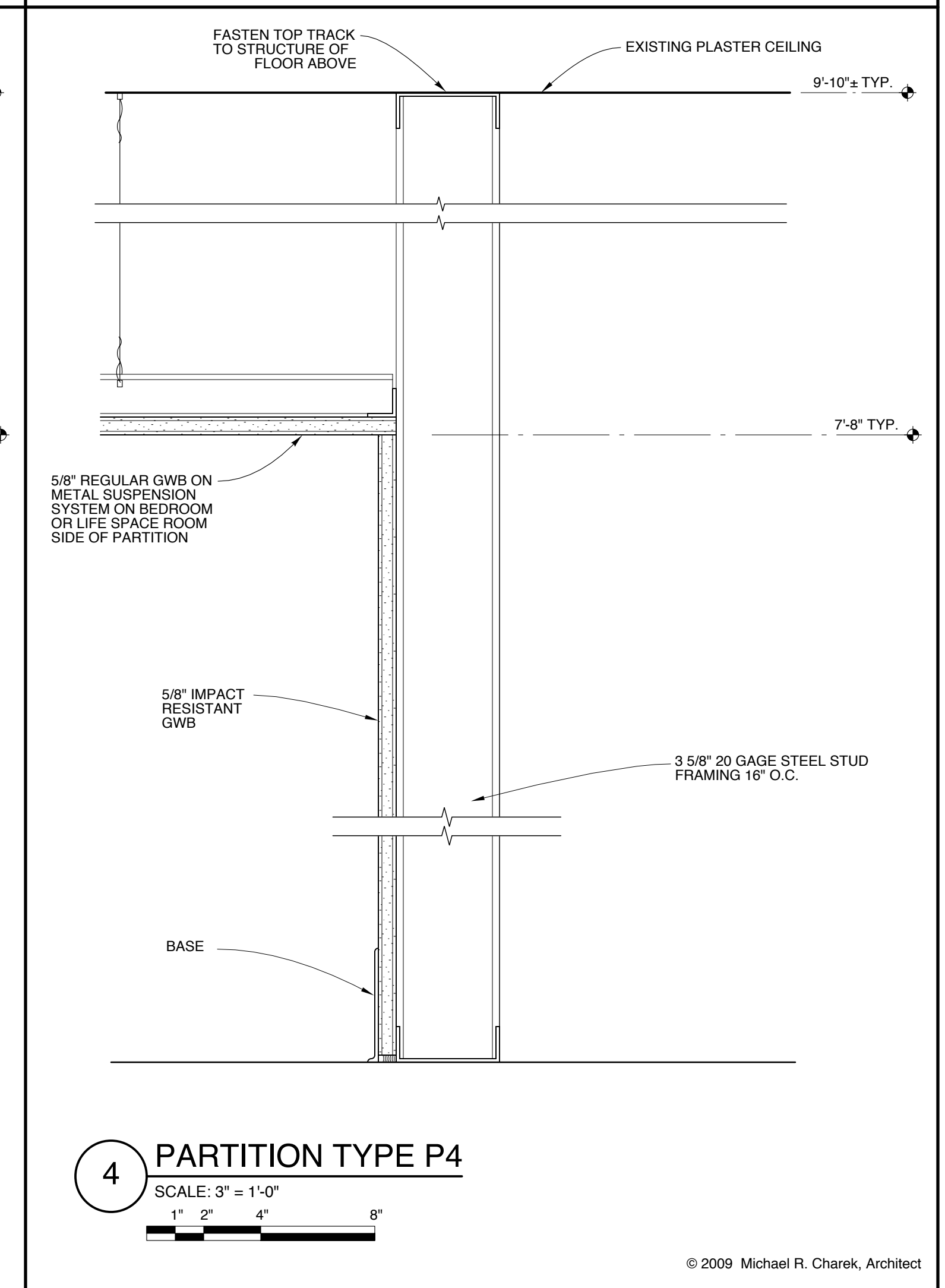
1 PARTITION TYPE P1
SCALE: 3" = 1'-0"
1" 2" 4" 8"



2 PARTITION TYPE P2
SCALE: 3" = 1'-0"
1" 2" 4" 8"

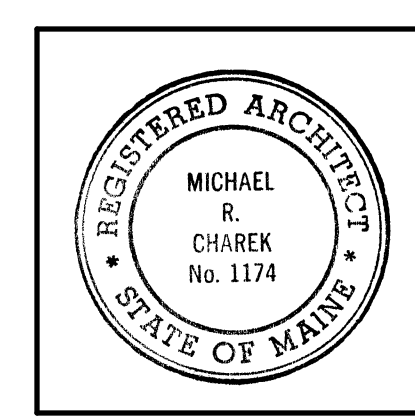


3 PARTITION TYPE P3
SCALE: 3" = 1'-0"
1" 2" 4" 8"



4 PARTITION TYPE P4
SCALE: 3" = 1'-0"
1" 2" 4" 8"

Michael Charek Architects
25 Hartley Street
Portland, Maine 04103
(207) 761-0556



Spurwink Bishop Street
17 Bishop Street
Portland, ME 04103

Title	DETAILS
Scale:	AS NOTED
Date:	3/16/09
Revisions	
ISSUED FOR PERMIT	
Sheet	A7