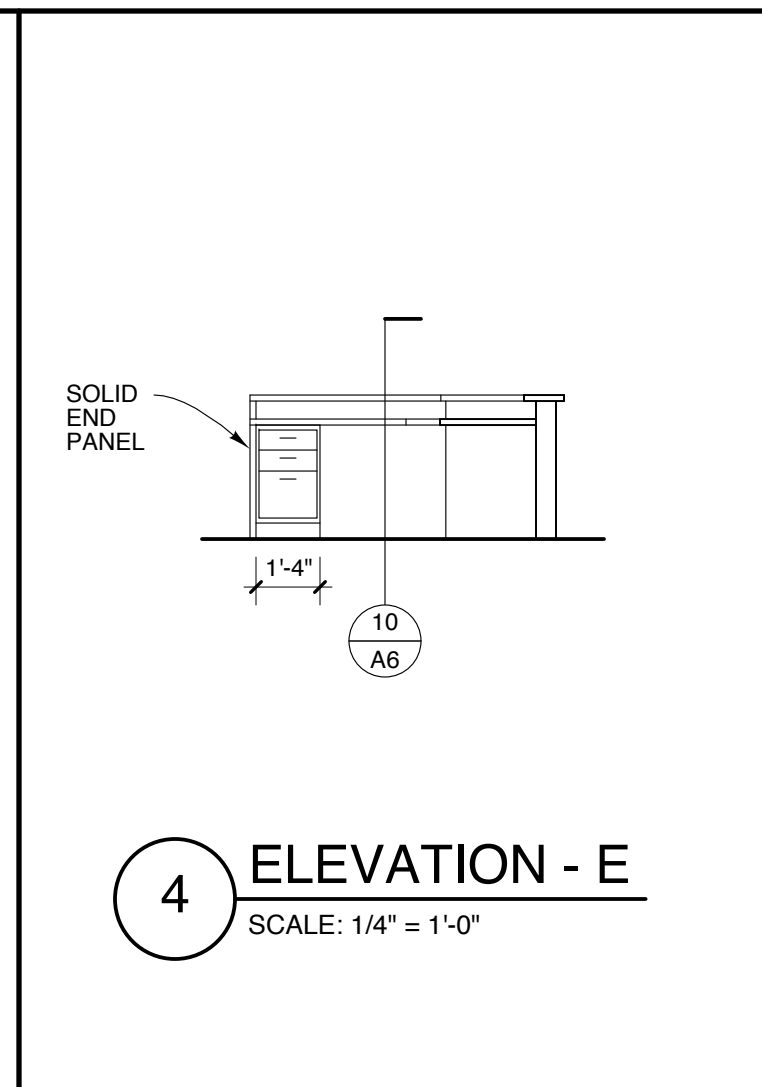
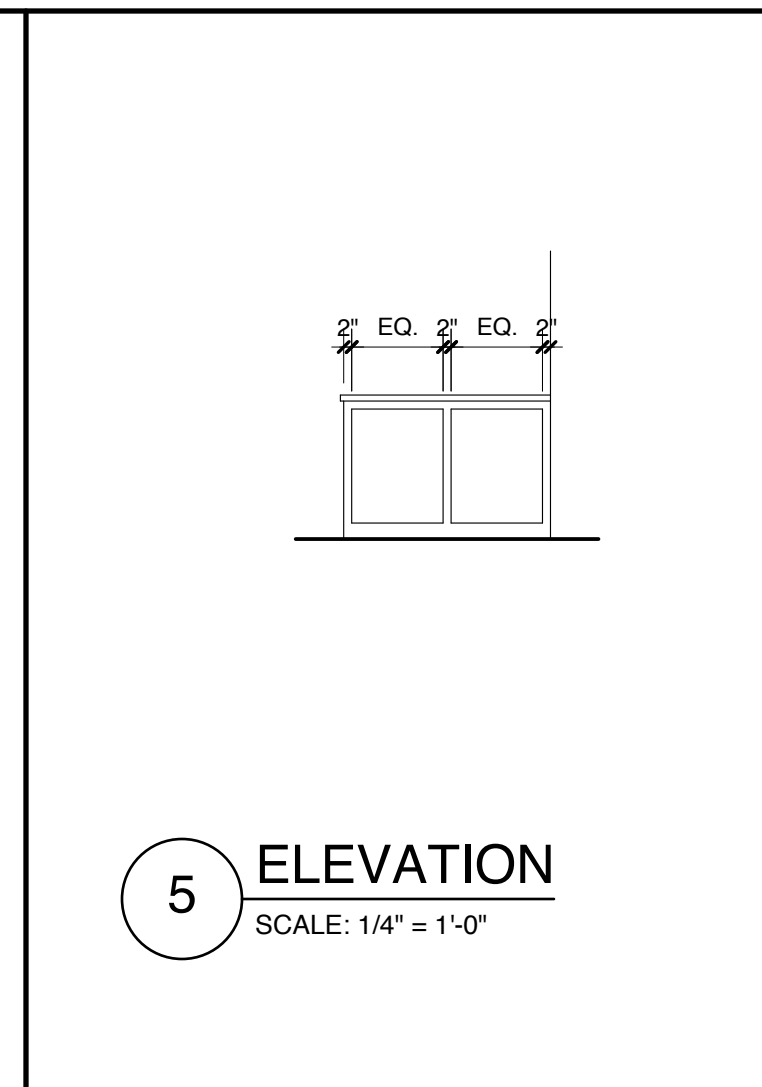


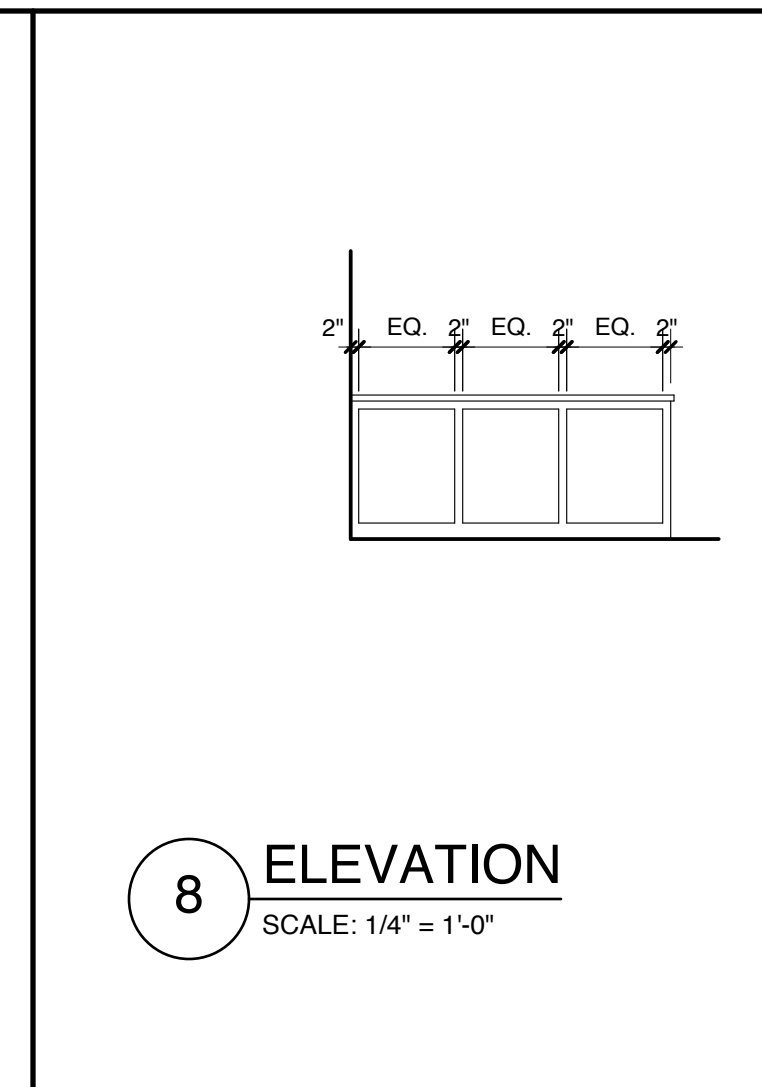
**4 ELEVATION - S**  
SCALE: 1/4" = 1'-0"



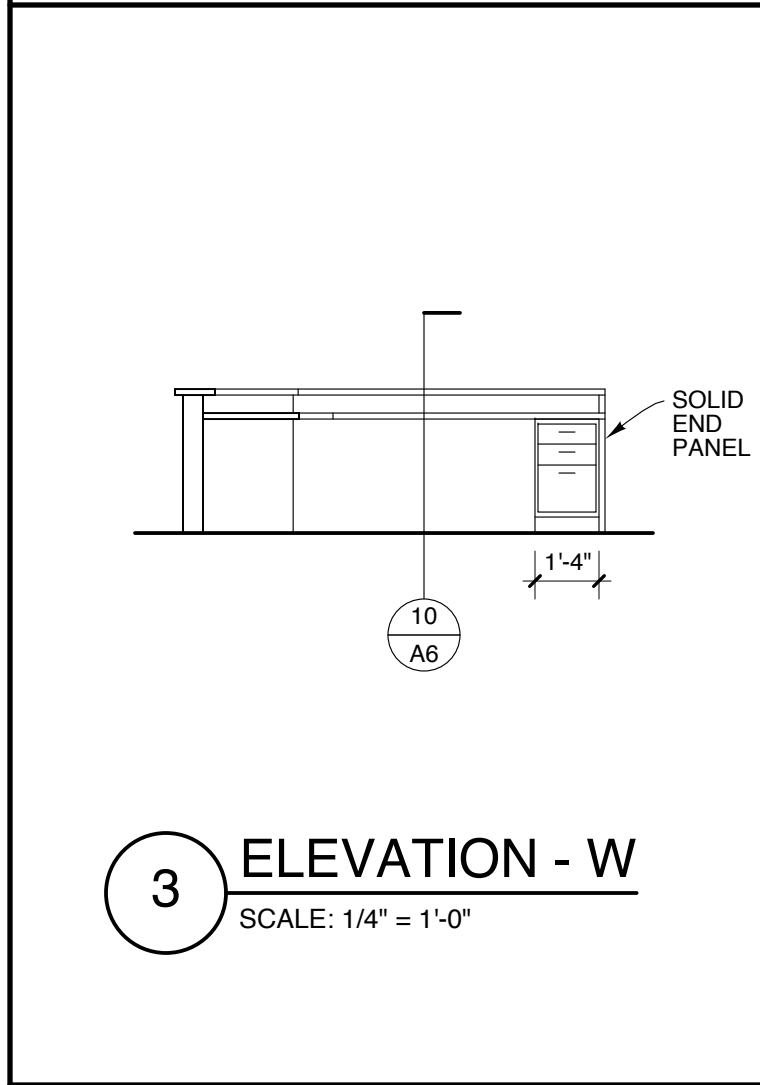
**4 ELEVATION - E**  
SCALE: 1/4" = 1'-0"



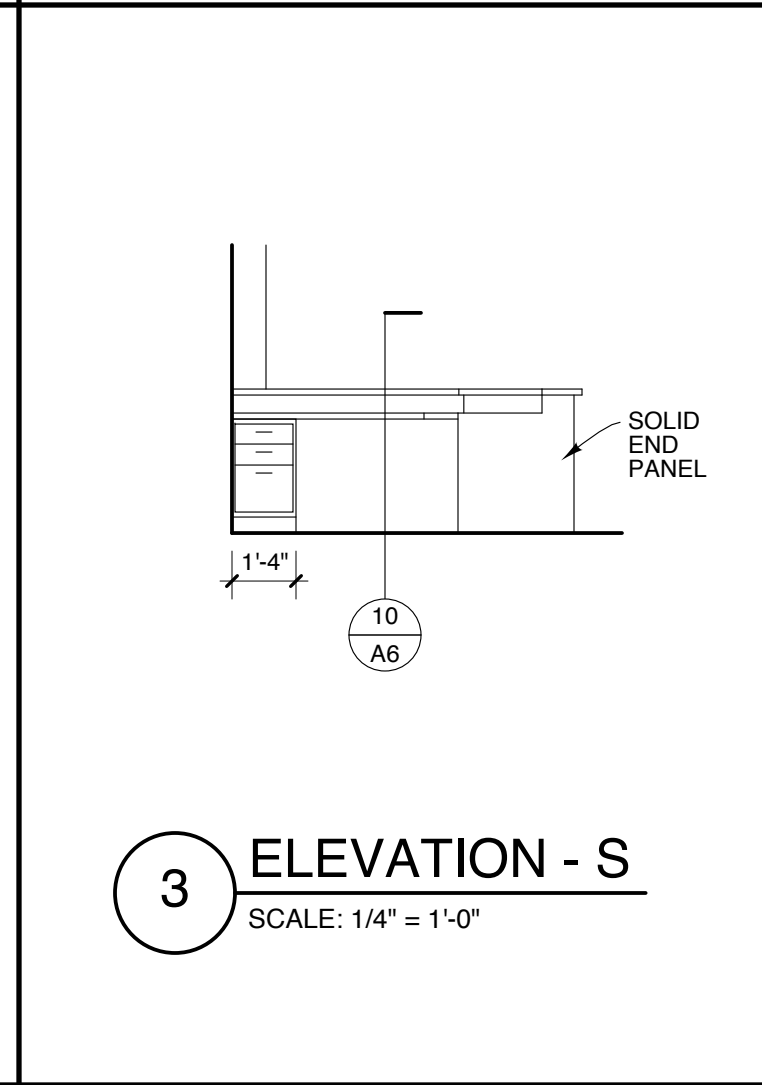
**5 ELEVATION**  
SCALE: 1/4" = 1'-0"



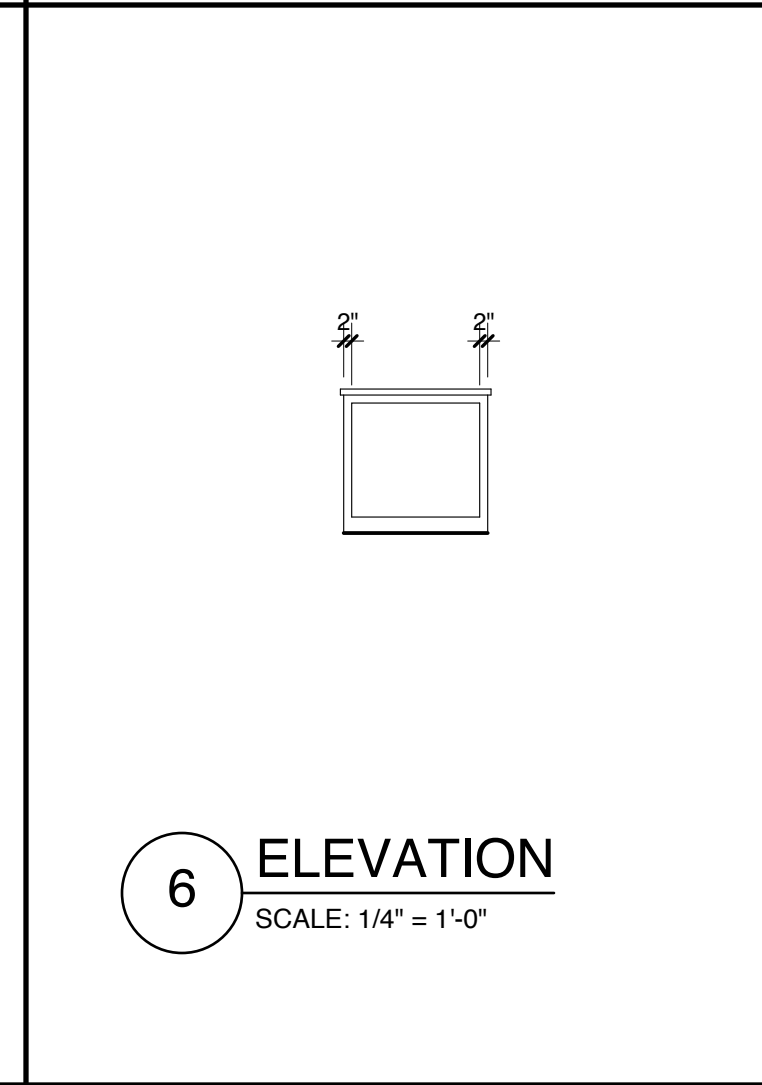
**8 ELEVATION**  
SCALE: 1/4" = 1'-0"



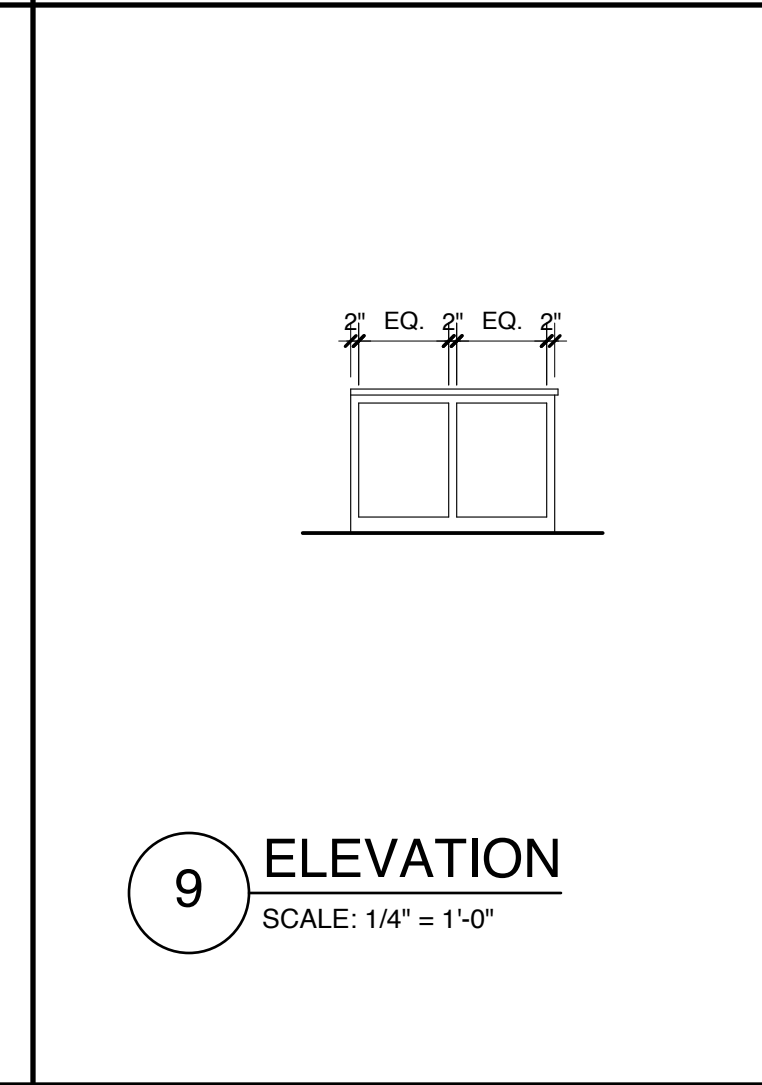
**3 ELEVATION - W**  
SCALE: 1/4" = 1'-0"



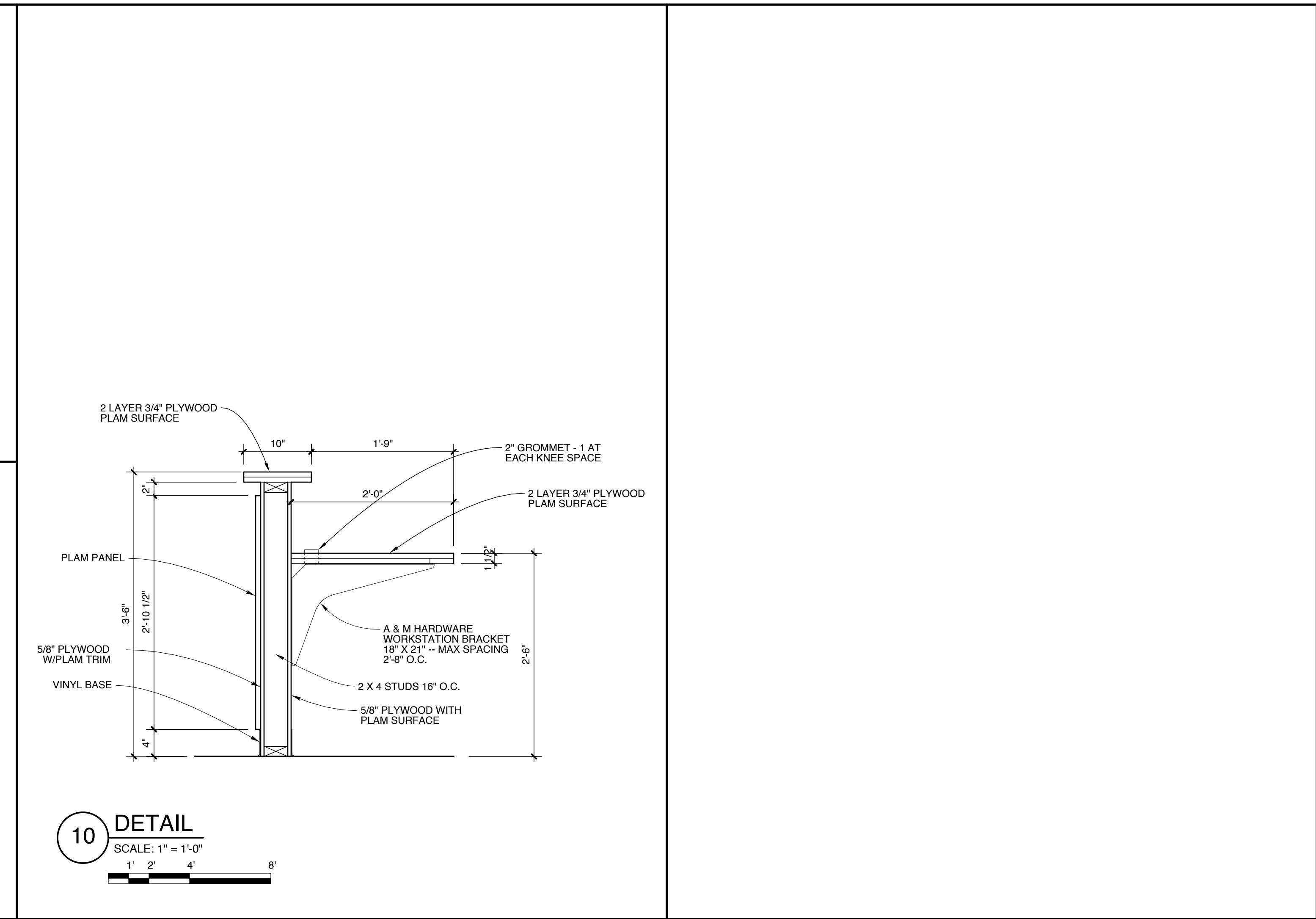
**3 ELEVATION - S**  
SCALE: 1/4" = 1'-0"



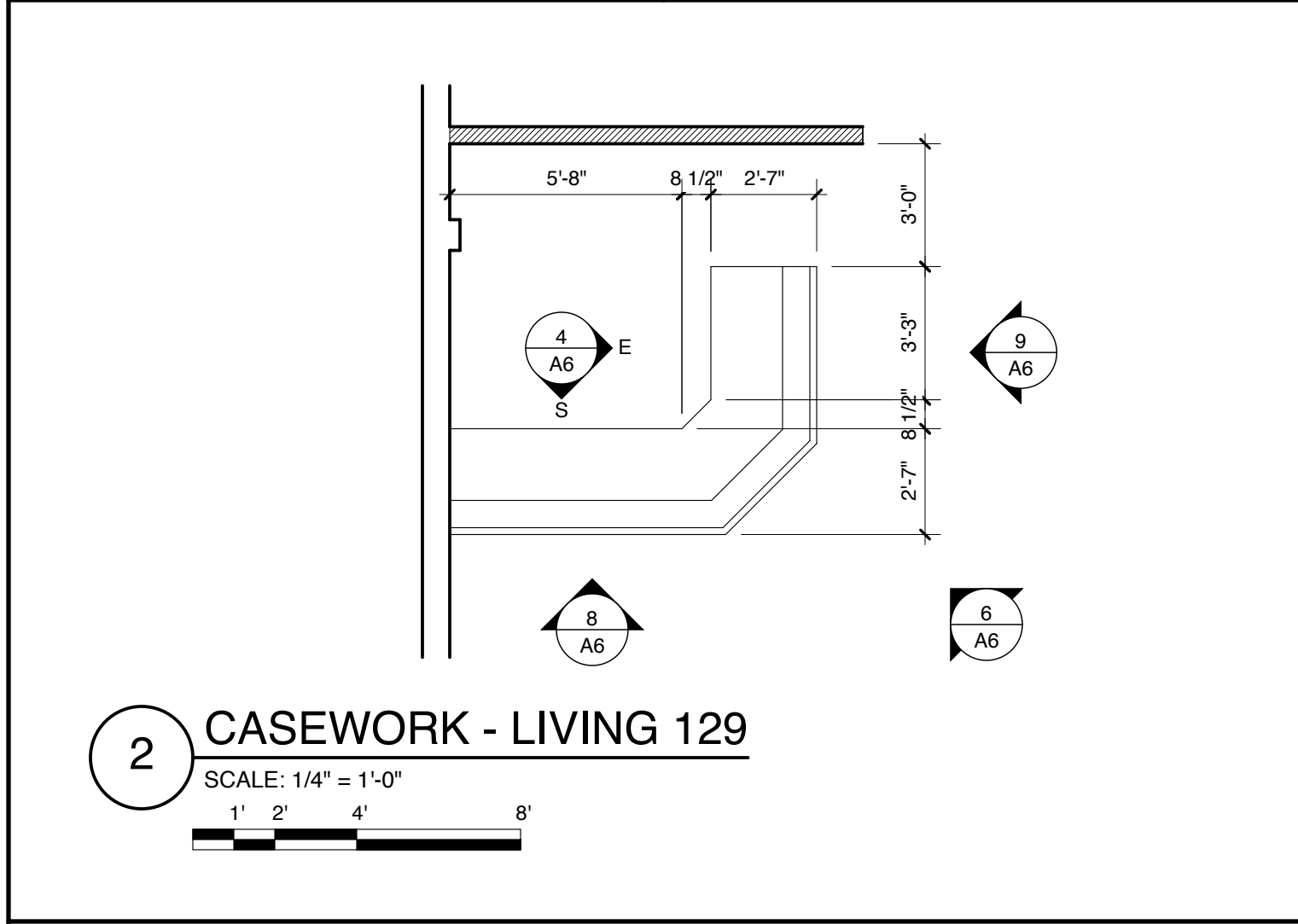
**6 ELEVATION**  
SCALE: 1/4" = 1'-0"



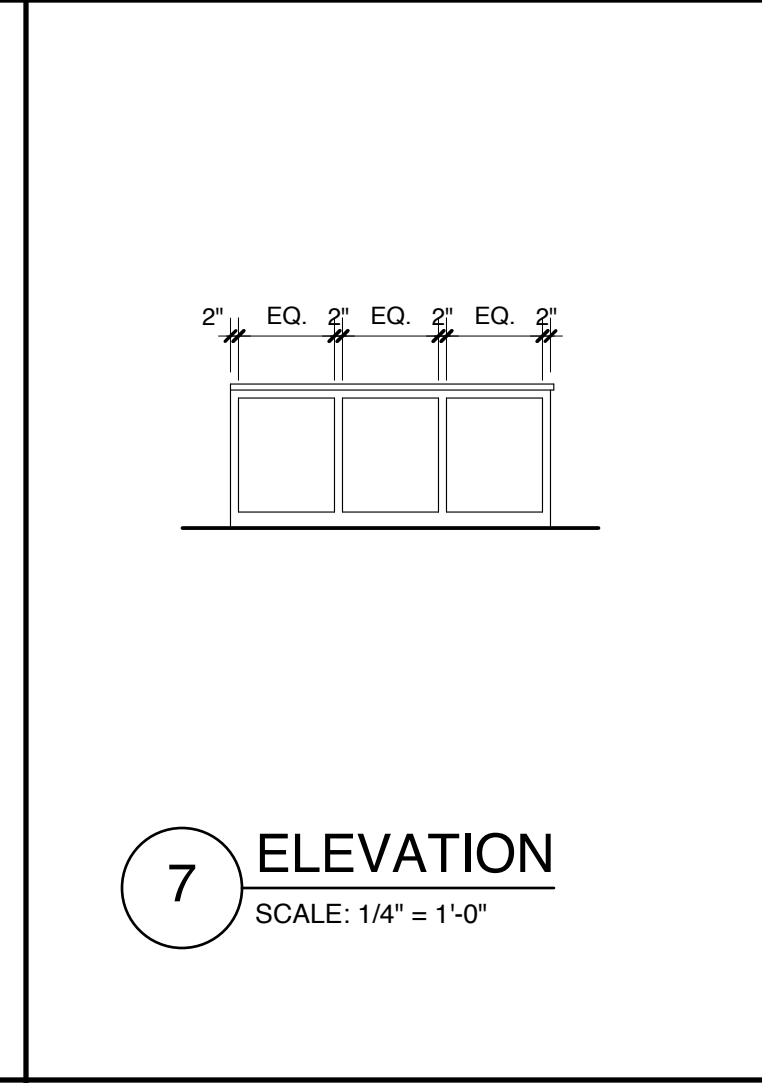
**9 ELEVATION**  
SCALE: 1/4" = 1'-0"



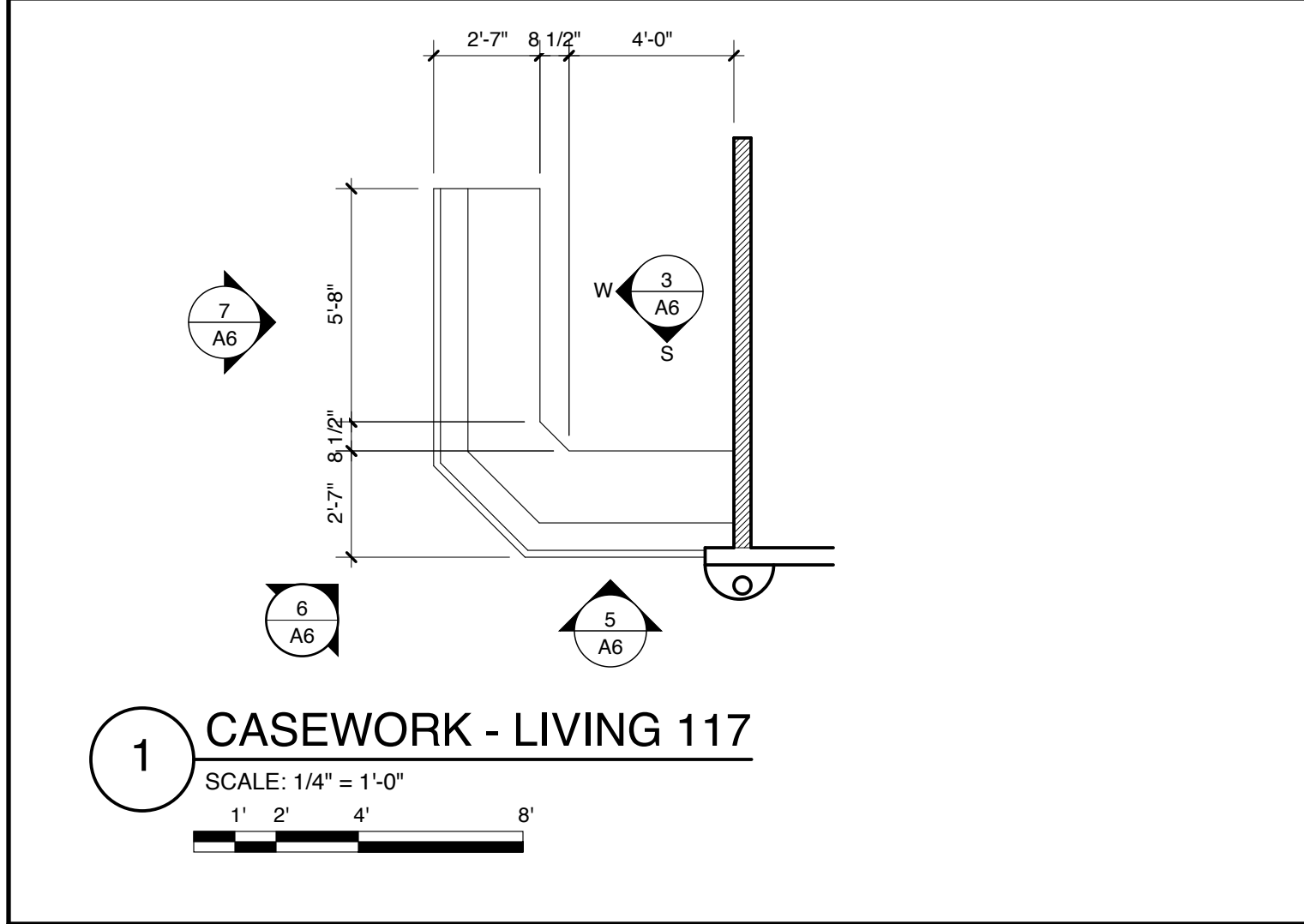
**10 DETAIL**  
SCALE: 1" = 1'-0"



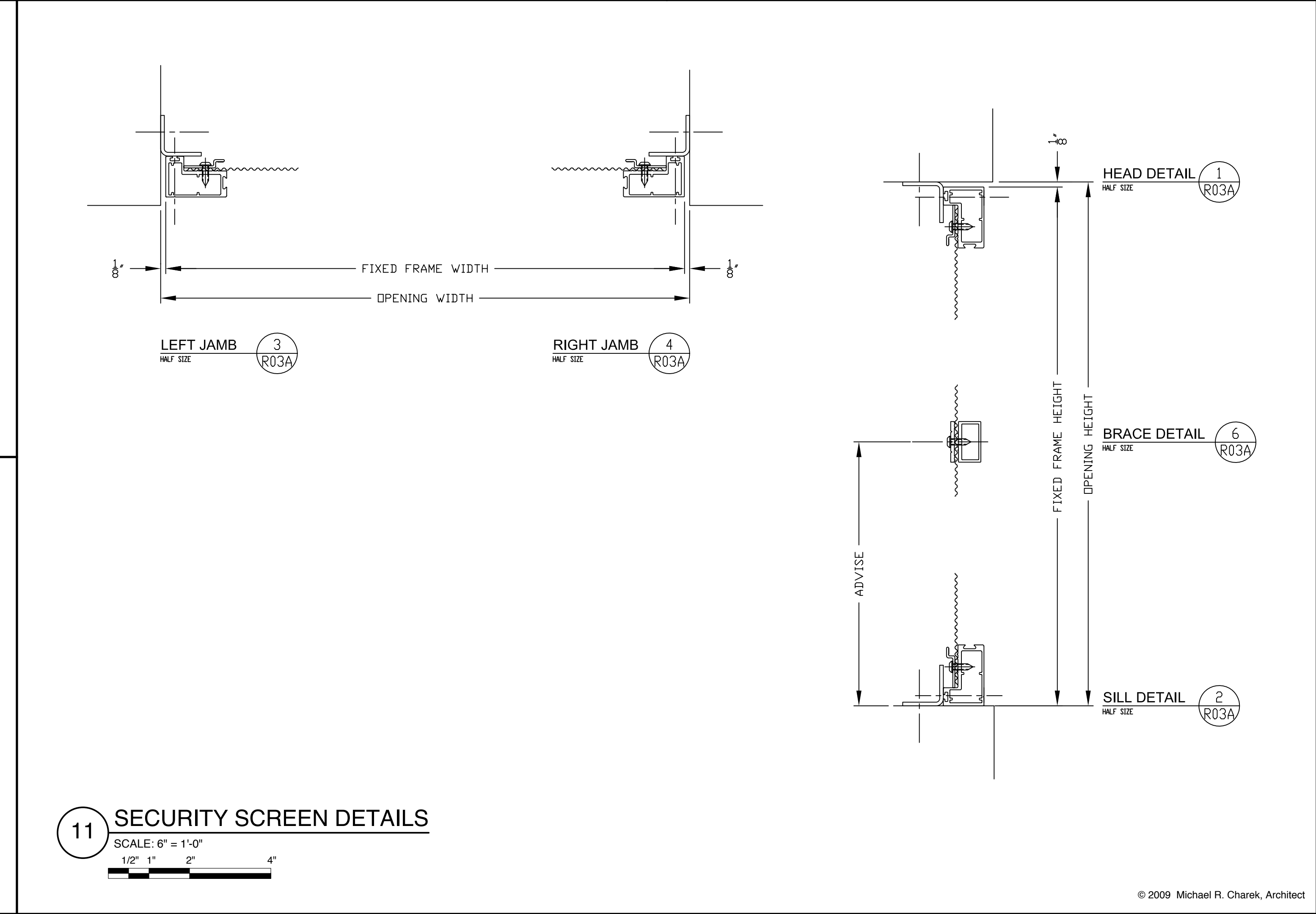
**2 CASEWORK - LIVING 129**  
SCALE: 1/4" = 1'-0"



**7 ELEVATION**  
SCALE: 1/4" = 1'-0"

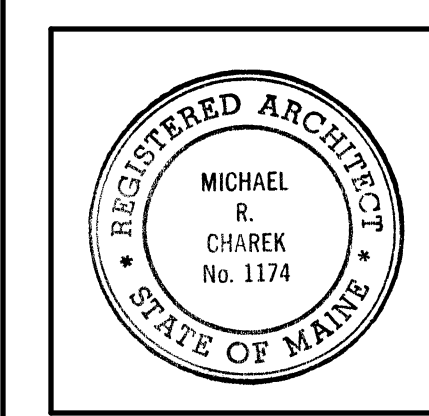


**1 CASEWORK - LIVING 117**  
SCALE: 1/4" = 1'-0"



**11 SECURITY SCREEN DETAILS**  
SCALE: 6" = 1'-0"

**Michael Charek Architects**  
25 Hartley Street  
Portland, Maine 04103  
(207) 761-0556



**Spurwink Bishop Street**  
17 Bishop Street  
Portland, ME 04103

**Title**  
DETAILS

**Scale:** AS NOTED  
**Date:** 3/16/09

**Revisions**  
**ISSUED FOR PERMIT**

**Sheet**  
**A6**