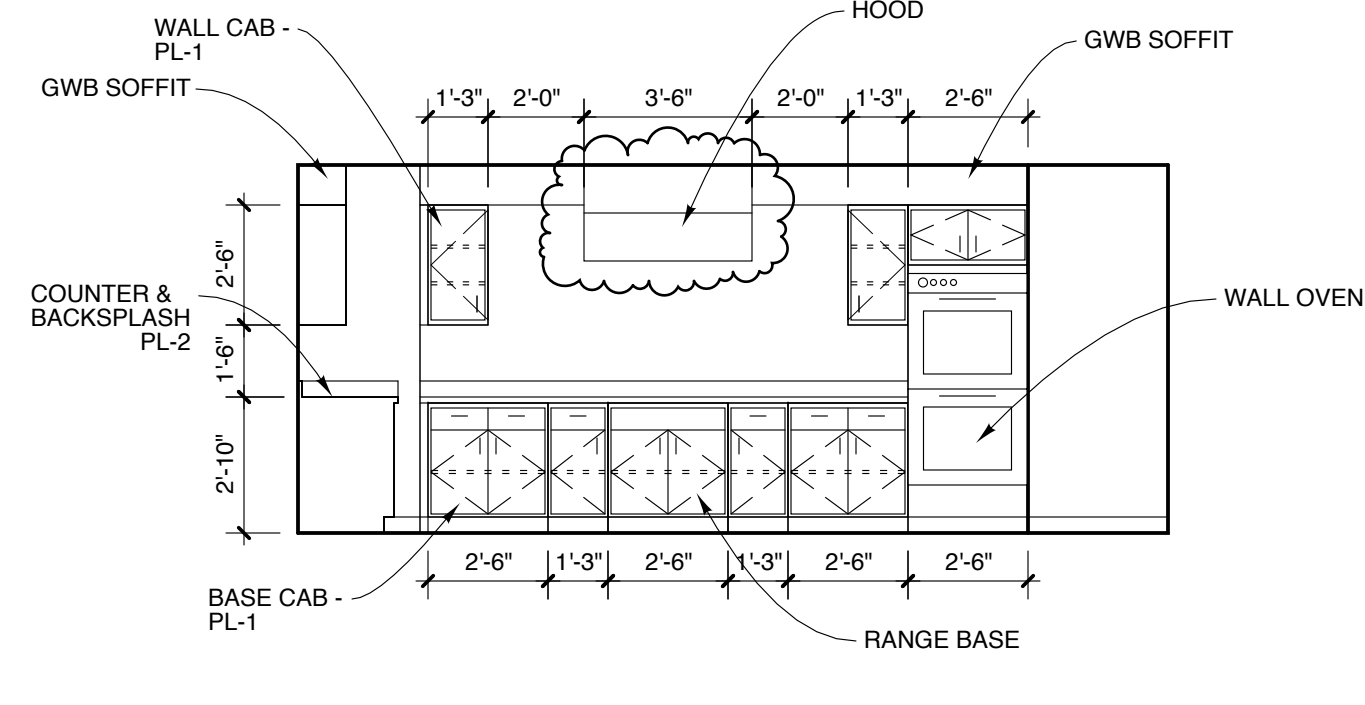
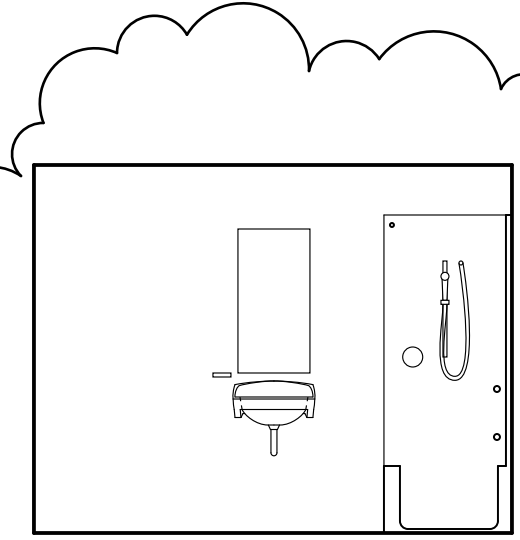


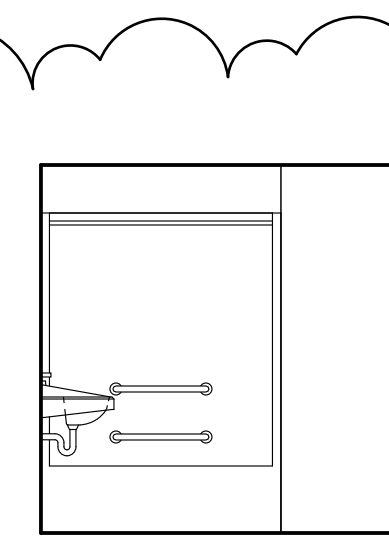
1 ELEVATION - N
SCALE: 1/4" = 1'-0"
1' 2' 4' 8'



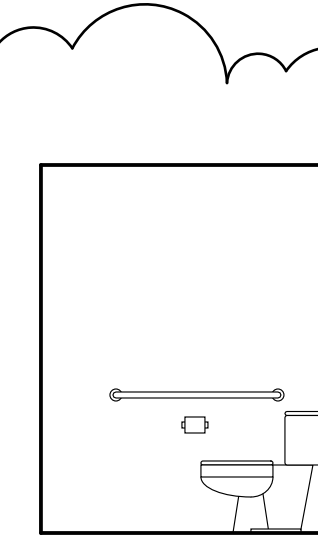
1 ELEVATION - E
SCALE: 1/4" = 1'-0"
1' 2' 4' 8'



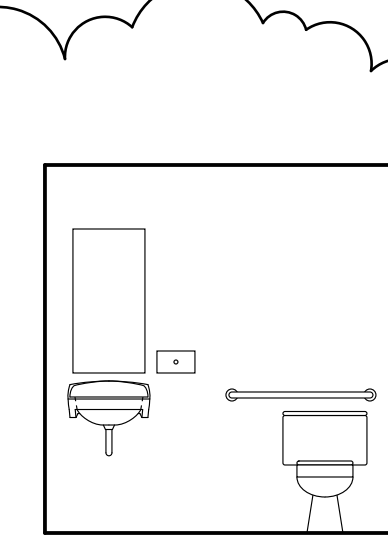
9 ELEVATION - N
SCALE: 1/4" = 1'-0"
BATH 128 SIMILAR, OPPOSITE HAND



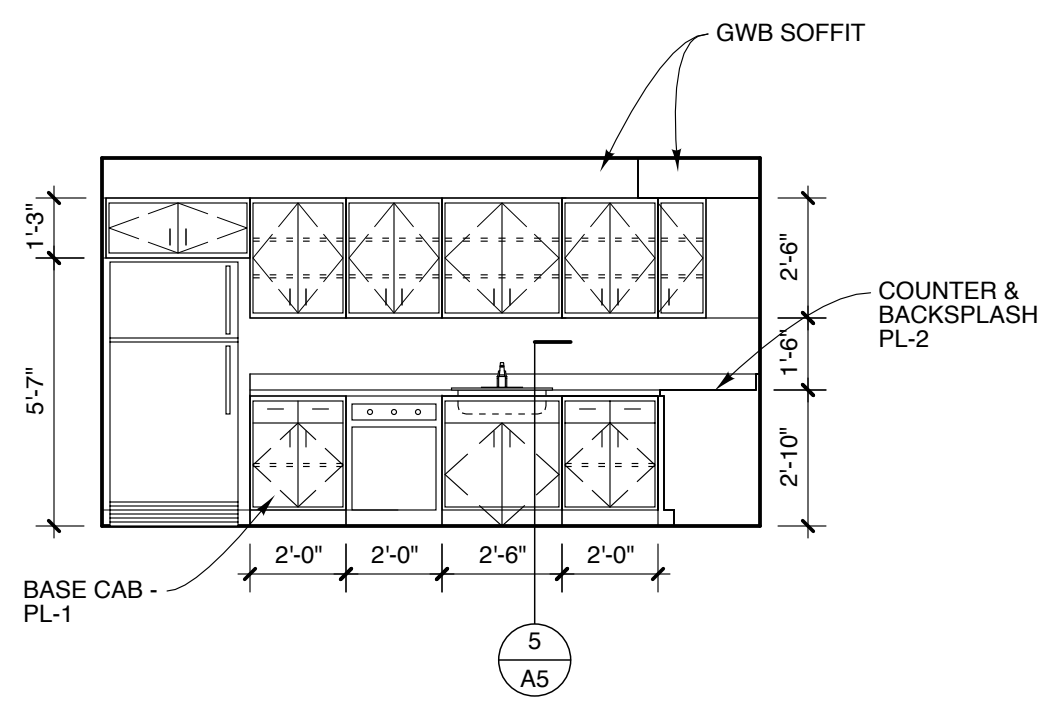
9 ELEVATION - E
SCALE: 1/4" = 1'-0"
BATH 128 SIMILAR, OPPOSITE HAND



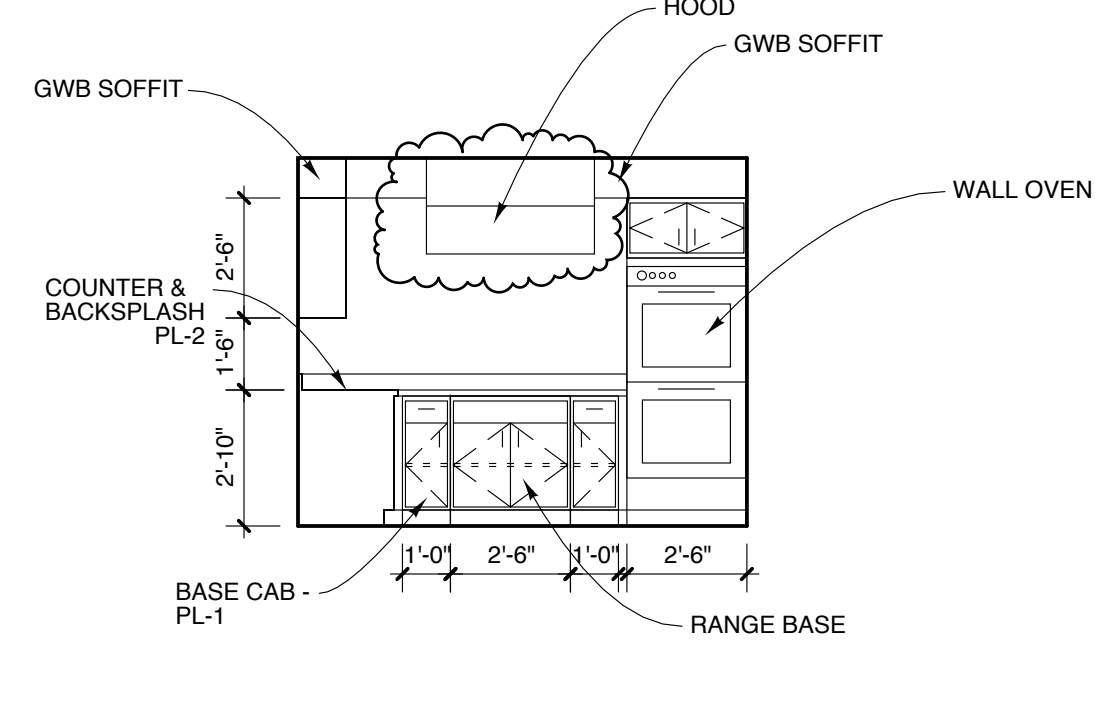
10 ELEVATION - W
SCALE: 1/4" = 1'-0"



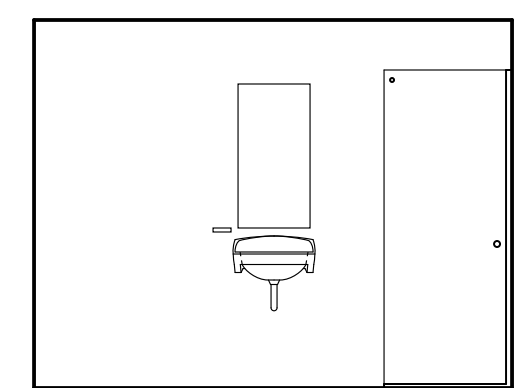
10 ELEVATION - S
SCALE: 1/4" = 1'-0"



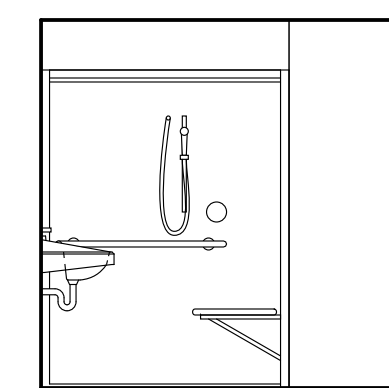
2 ELEVATION - N
SCALE: 1/4" = 1'-0"
1' 2' 4' 8'



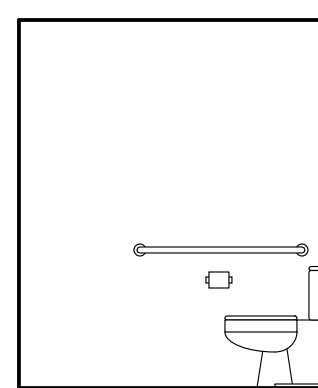
2 ELEVATION - E
SCALE: 1/4" = 1'-0"
1' 2' 4' 8'



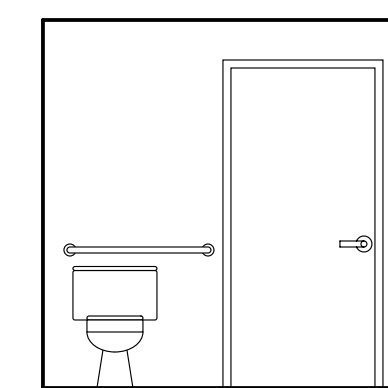
8 ELEVATION - N
SCALE: 1/4" = 1'-0"
BATH 126 SIMILAR, OPPOSITE HAND



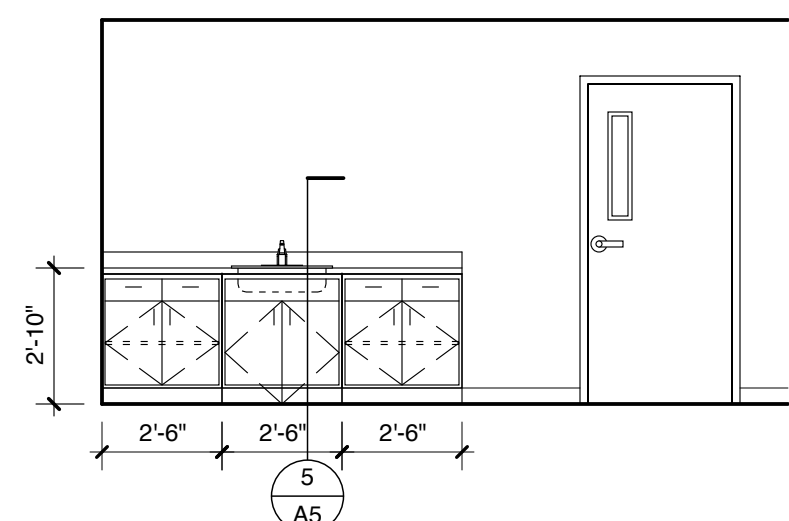
8 ELEVATION - E
SCALE: 1/4" = 1'-0"
BATH 126 SIMILAR, OPPOSITE HAND



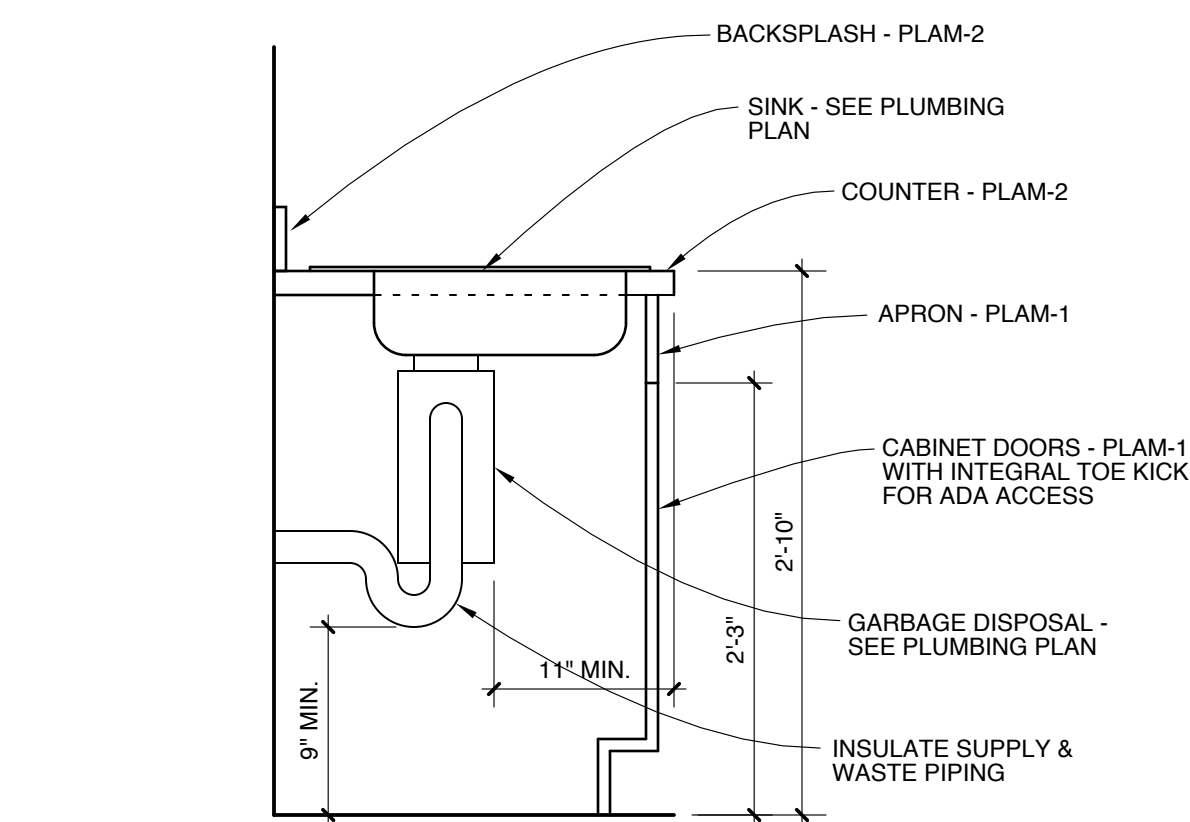
8 ELEVATION - S
SCALE: 1/4" = 1'-0"
BATH 127 SIMILAR, OPPOSITE HAND
BATH 126 SIMILAR, OPPOSITE HAND
BATH 128 SIMILAR, OPPOSITE HAND



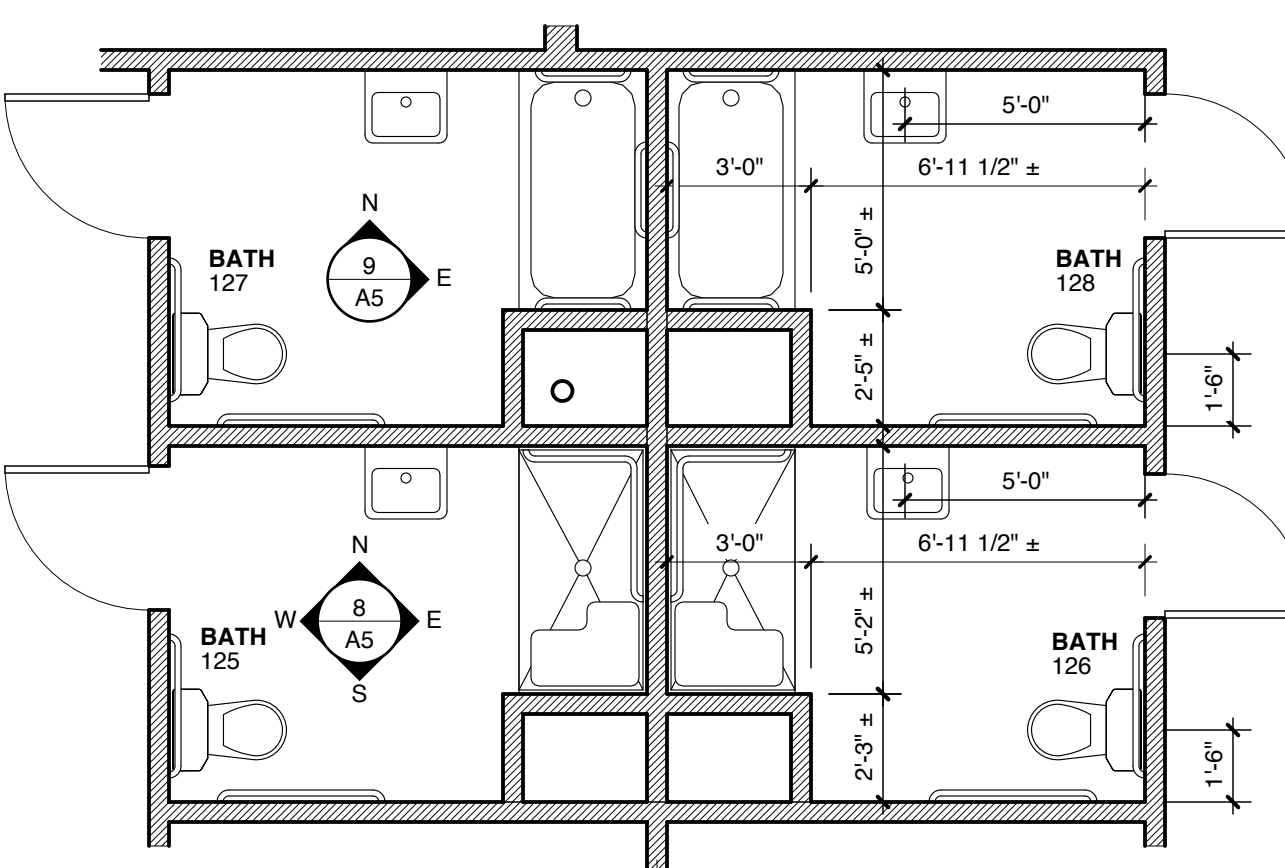
8 ELEVATION - W
SCALE: 1/4" = 1'-0"
BATH 127 SIMILAR, OPPOSITE HAND
BATH 126 SIMILAR, OPPOSITE HAND
BATH 128 SIMILAR, OPPOSITE HAND



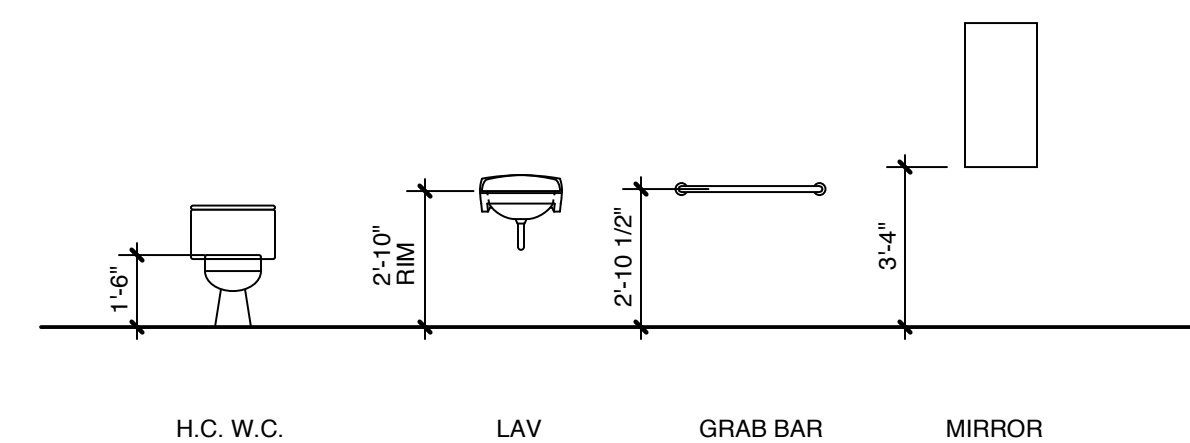
3 ELEVATION
SCALE: 1/4" = 1'-0"
1' 2' 4' 8'



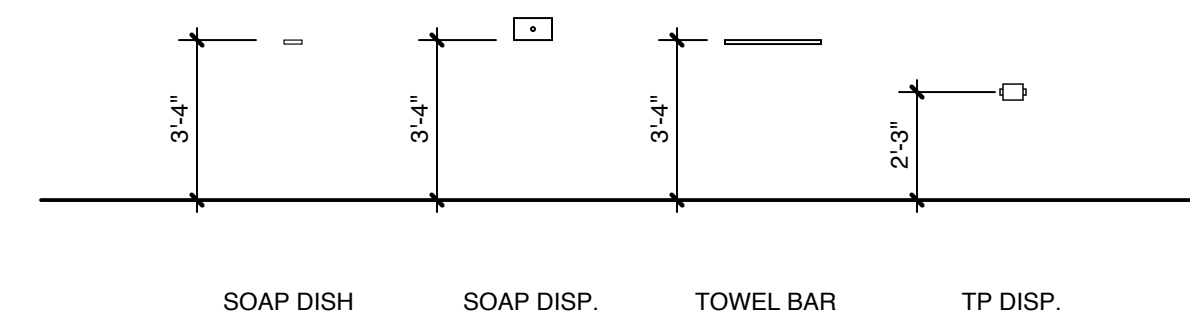
5 DETAIL
SCALE: 1" = 1'-0"
3' 6' 1' 2'



6 PARTIAL PLAN
SCALE: 1/4" = 1'-0"
3' 6' 1' 2'



H.C. W.C. LAV GRAB BAR MIRROR



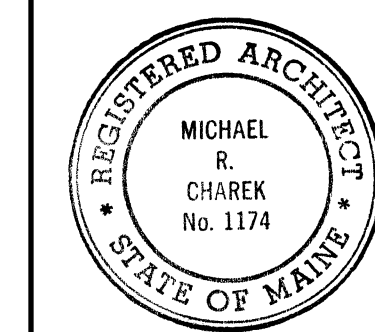
SOAP DISH SOAP DISP. TOWEL BAR TP DISP.

NOTE: PROVIDE SOLID WOOD BLOCKING IN WALL FOR MOUNTING OF ALL WALL-MOUNTED ITEMS

7 BATHROOM FIXTURE MOUNTING HEIGHTS
SCALE: 1/4" = 1'-0"
3' 6' 1' 2'

Michael Charek Architects

25 Hartley Street
Portland, Maine 04103
(207) 761-0556



Spurwink Bishop Street

17 Bishop Street
Portland, ME 04103

Title

INTERIOR ELEVATIONS AND DETAILS

Scale: AS NOTED

Date: 3/16/09

Revisions

INDICATES REVISION

ISSUED FOR PERMIT

Sheet

A5