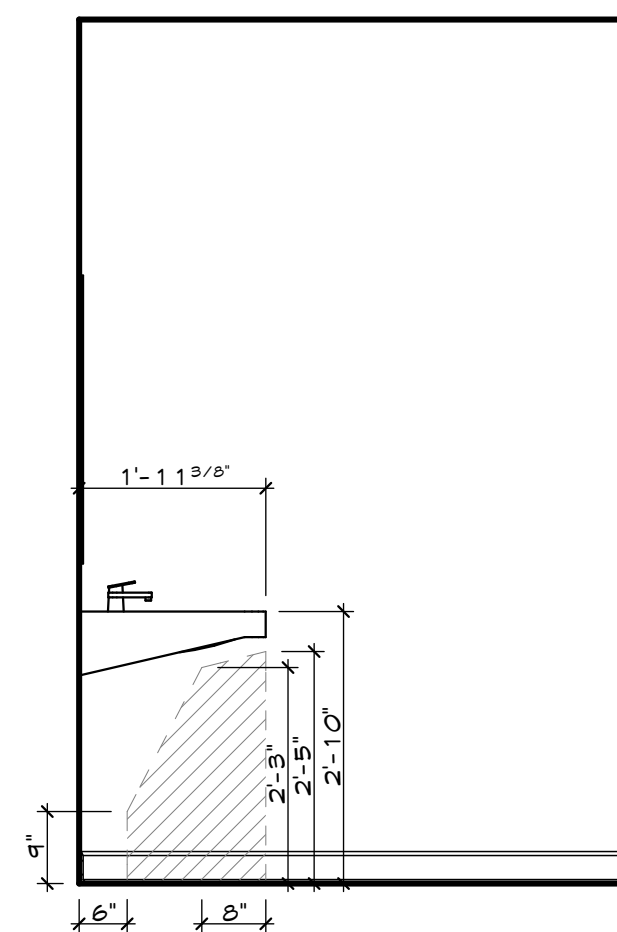
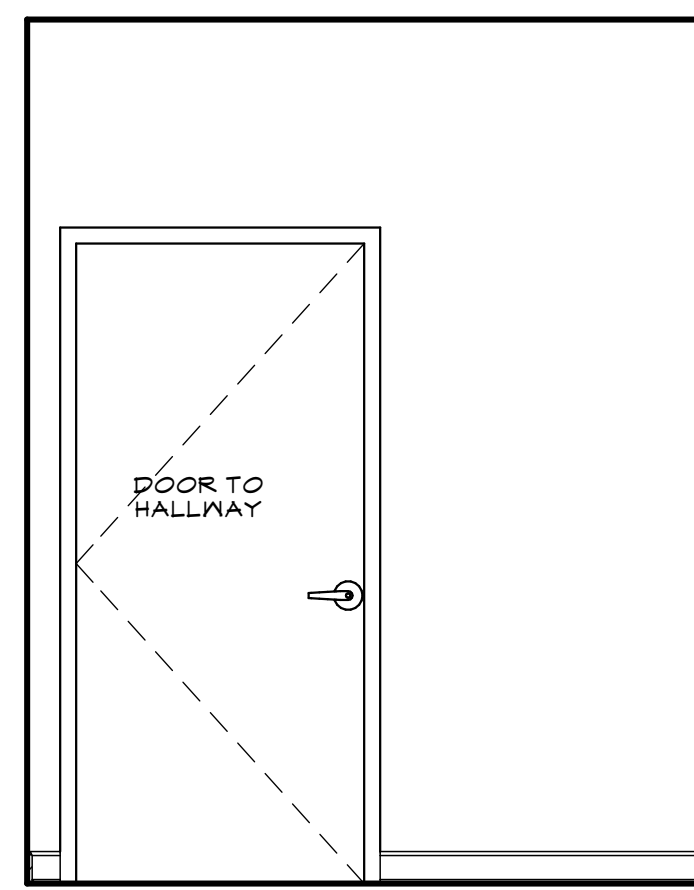


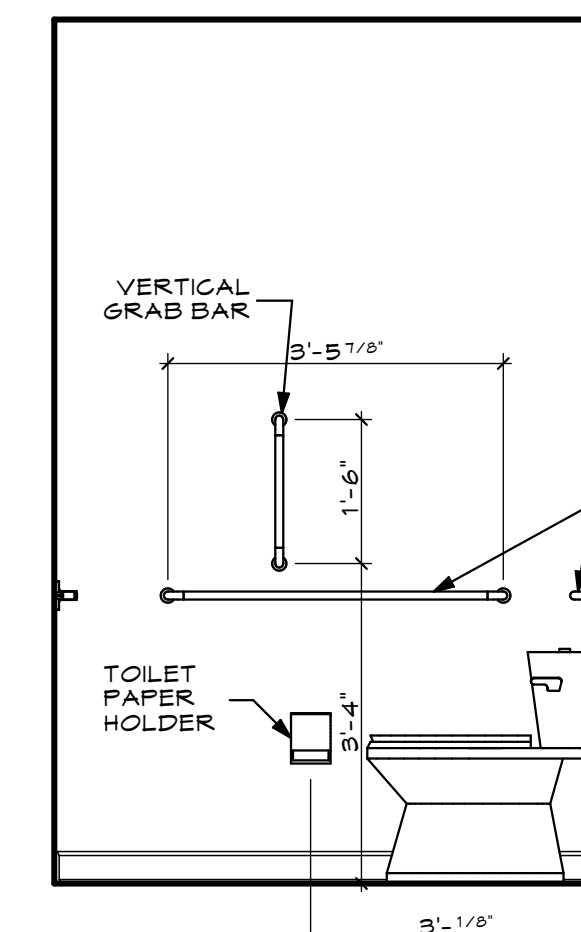
1 PARTIAL FIRST FLOOR PLAN
SCALE: 1/2" = 1'-0"



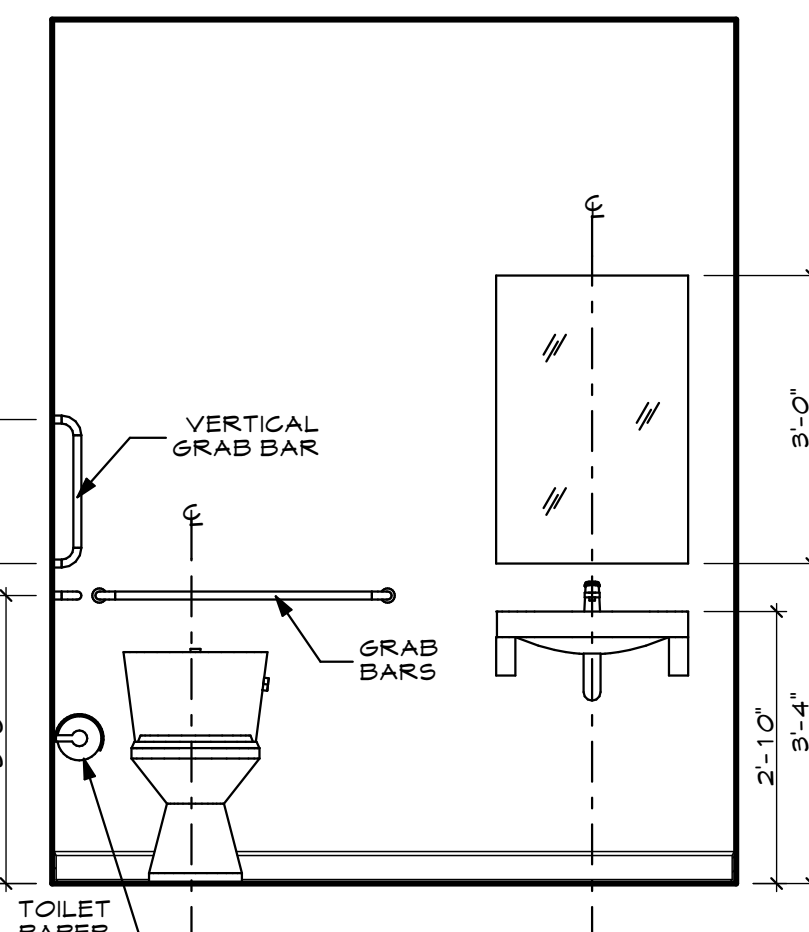
2 INT. ELEV. STAFF
SCALE: 1/2" = 1'-0"



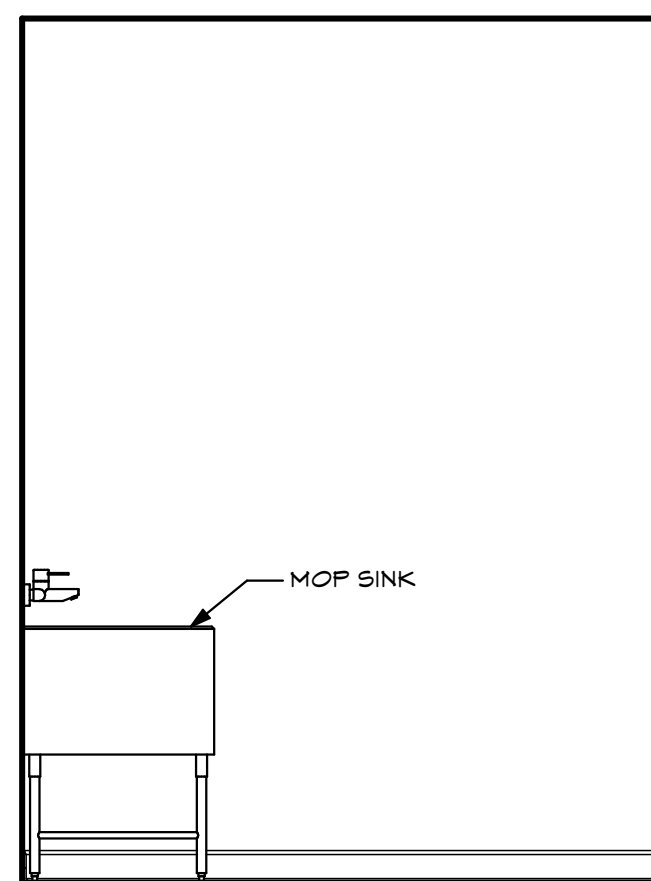
3 INT. ELEV. STAFF
SCALE: 1/2" = 1'-0"



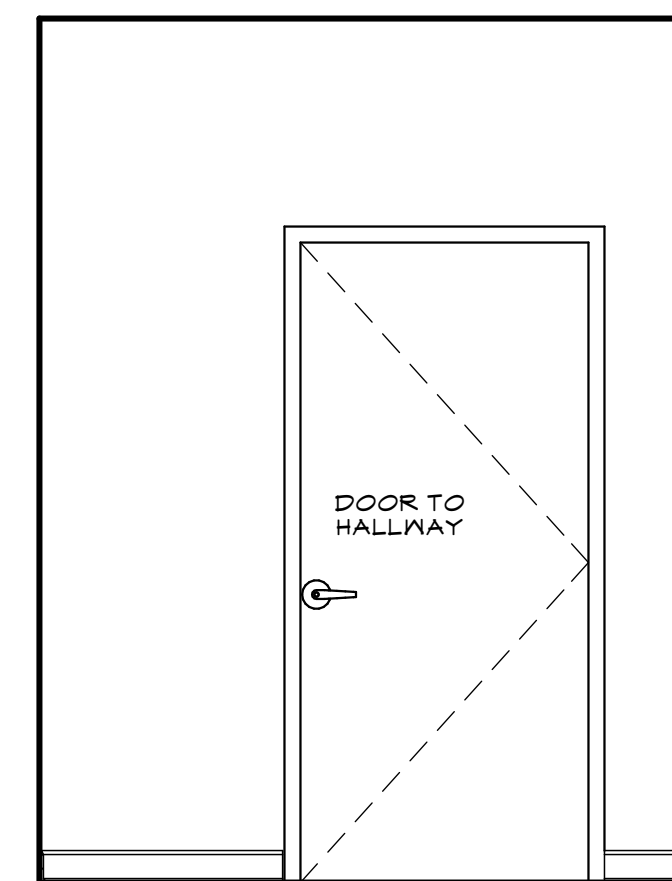
4 INT. ELEV. STAFF
SCALE: 1/2" = 1'-0"



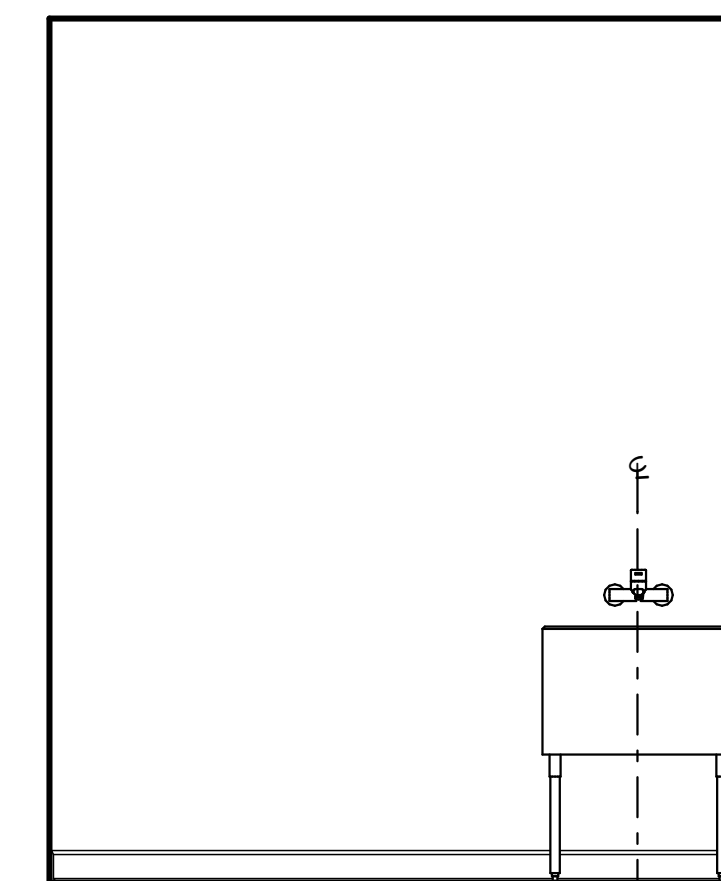
5 INT. ELEV. STAFF
SCALE: 1/2" = 1'-0"



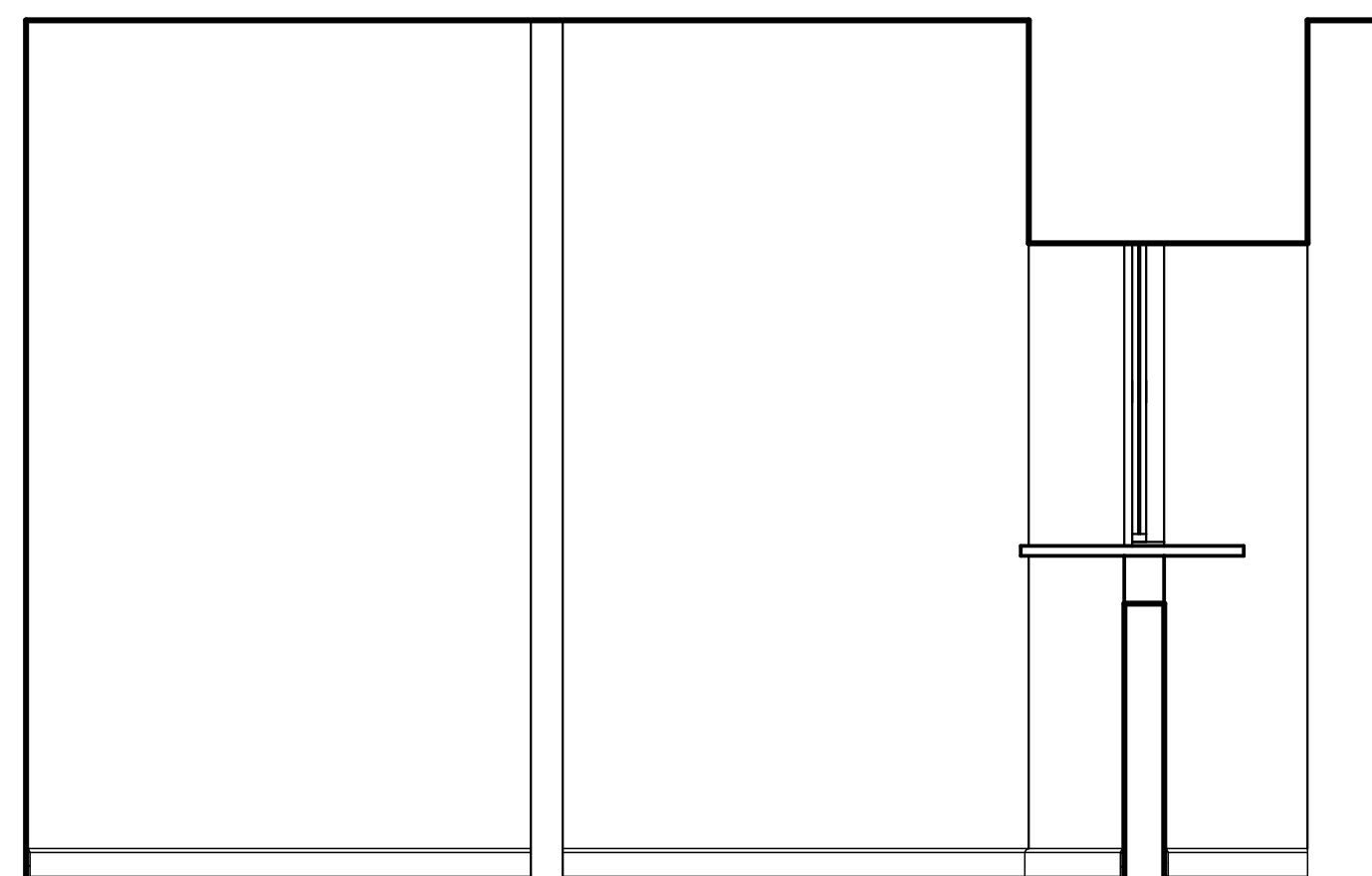
6 INT. ELEV. STORAGE
SCALE: 1/2" = 1'-0"



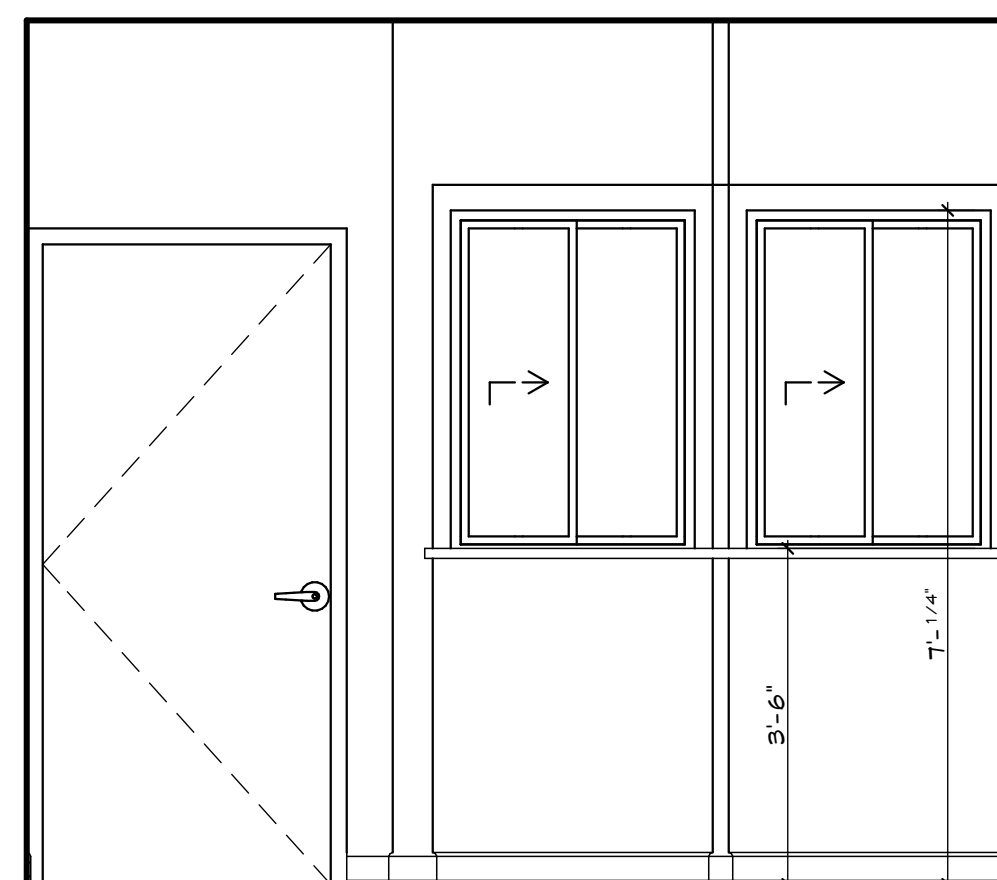
7 INT. ELEV. STORAGE
SCALE: 1/2" = 1'-0"



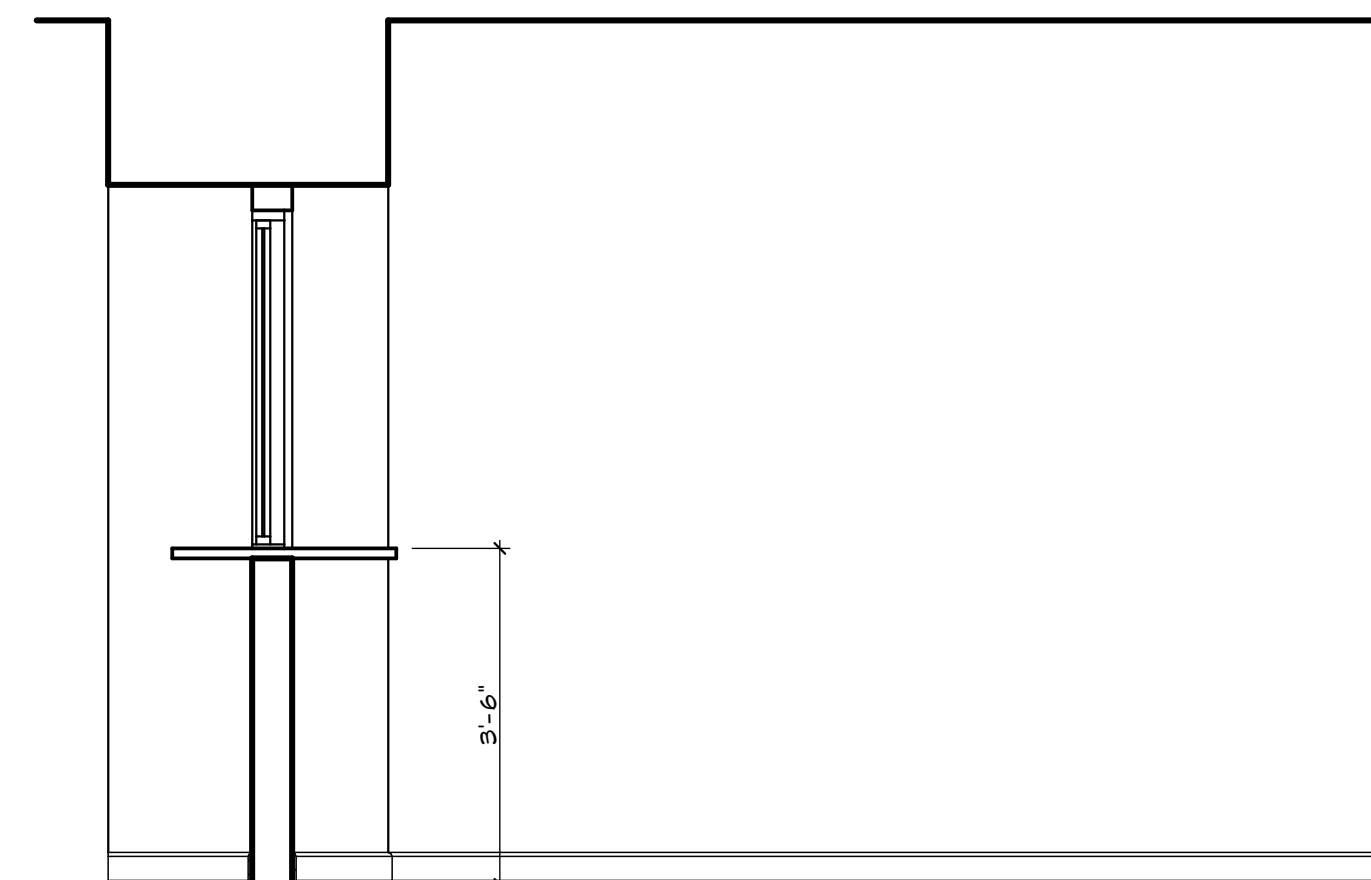
8 INT. ELEV. STORAGE
SCALE: 1/2" = 1'-0"



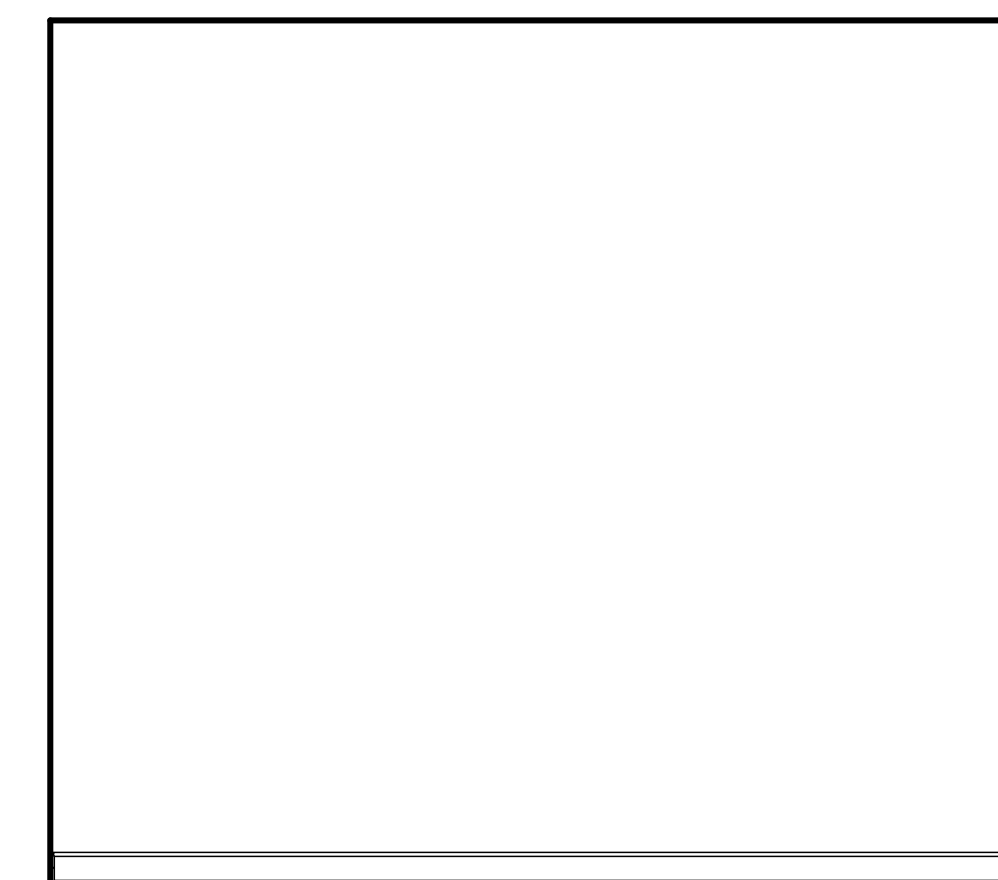
9 INT. ELEV. NURSE / MED OFFICE
SCALE: 1/2" = 1'-0"



10 INT. ELEV. NURSE / MED OFFICE
SCALE: 1/2" = 1'-0"



11 INT. ELEV. NURSE / MED OFFICE
SCALE: 1/2" = 1'-0"



12 INT. ELEV. NURSE / MED OFFICE
SCALE: 1/2" = 1'-0"

MARK	DATE	DESCRIPTION

DATE: 12/14/17
CHECKED BY: JAD
DRAWN BY: CJC
JOB: 2017-BISHOP
SHEET TITLE:

INTERIOR ELEVATIONS