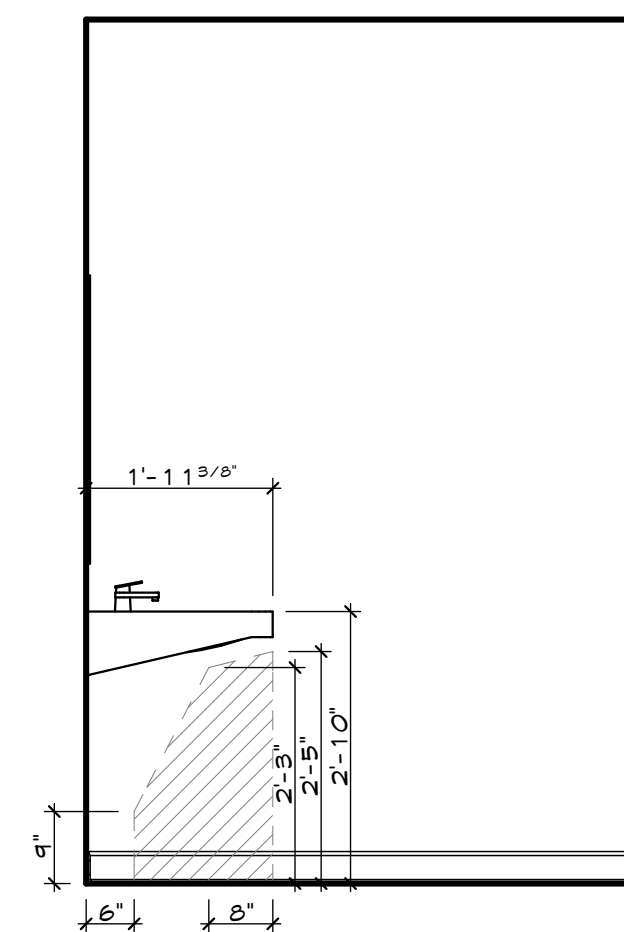
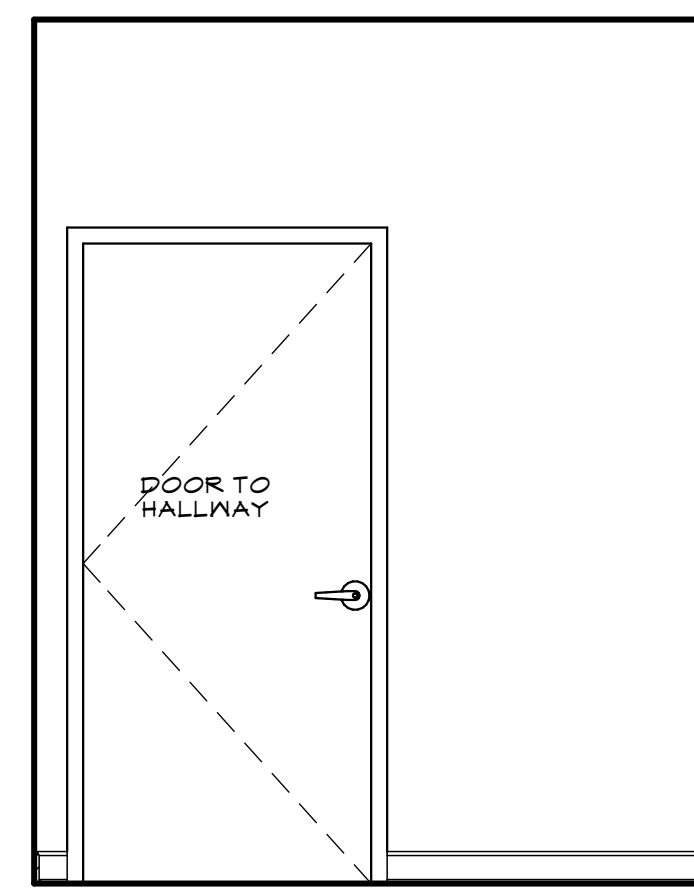


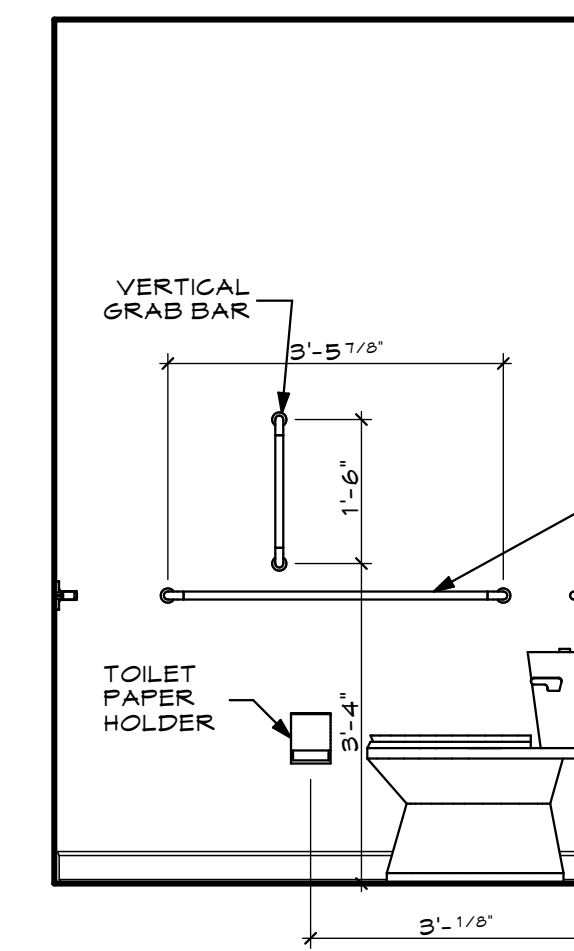
1 PARTIAL FIRST FLOOR PLAN  
SCALE: 1/2" = 1'-0"



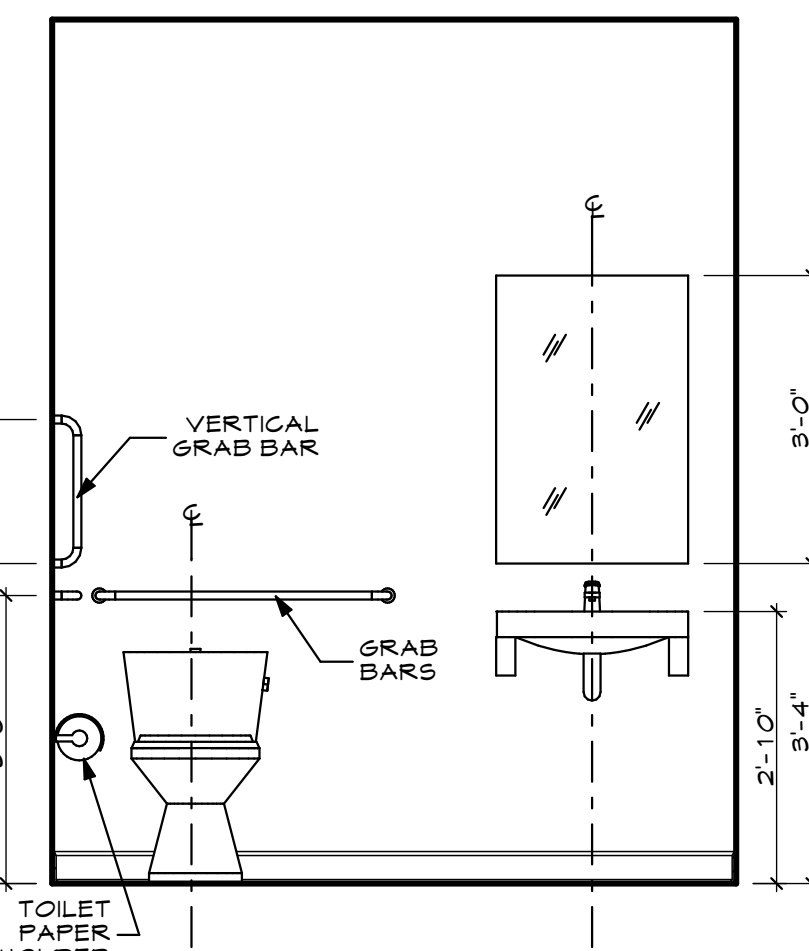
2 INT. ELEV. STAFF  
SCALE: 1/2" = 1'-0"



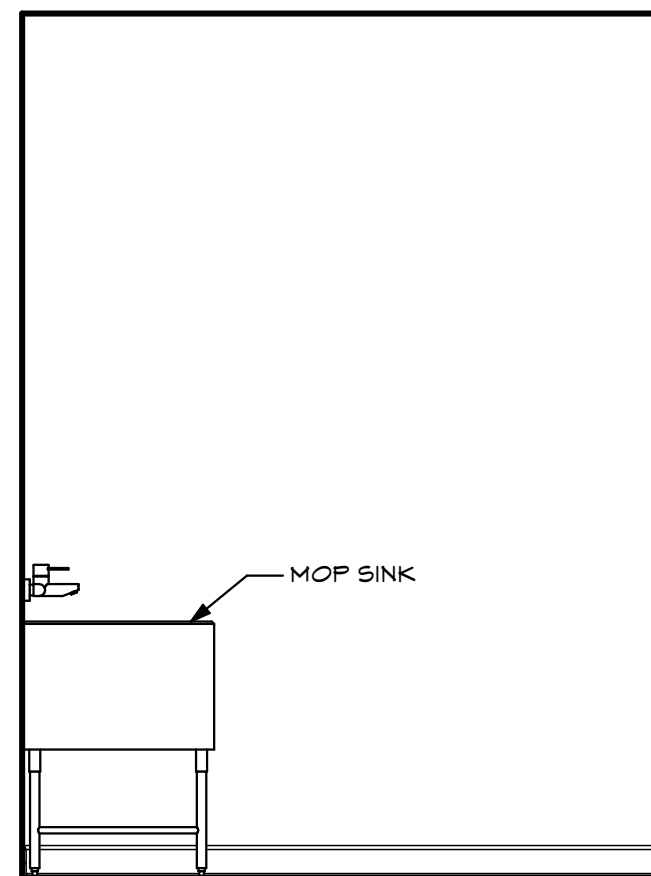
3 INT. ELEV. STAFF  
SCALE: 1/2" = 1'-0"



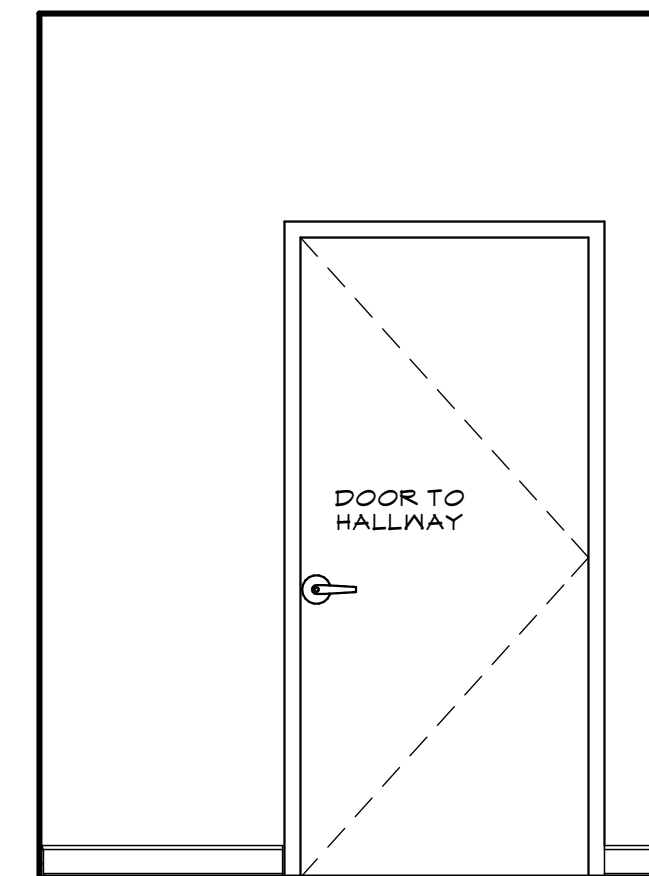
4 INT. ELEV. STAFF  
SCALE: 1/2" = 1'-0"



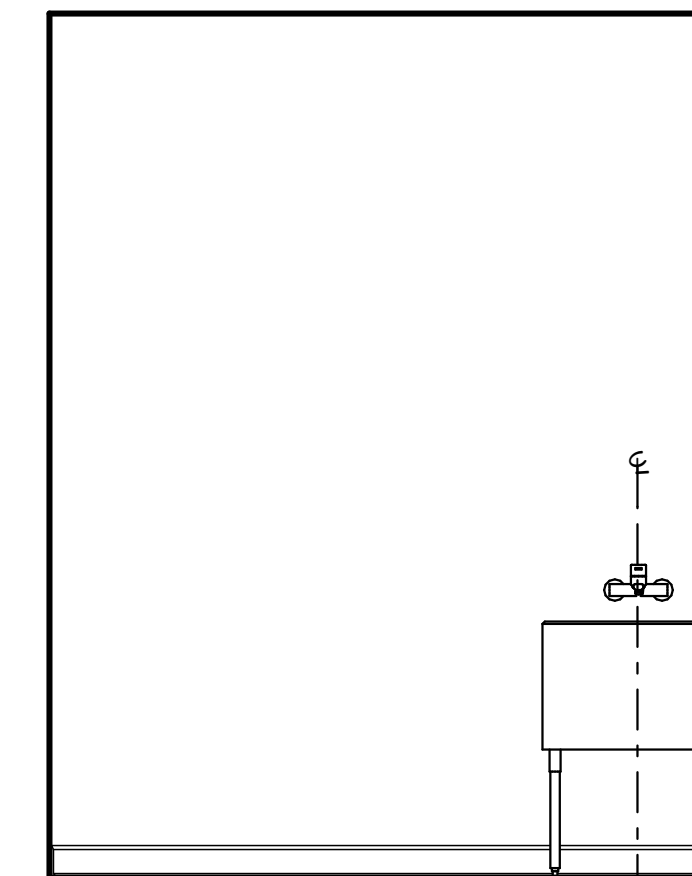
5 INT. ELEV. STAFF  
SCALE: 1/2" = 1'-0"



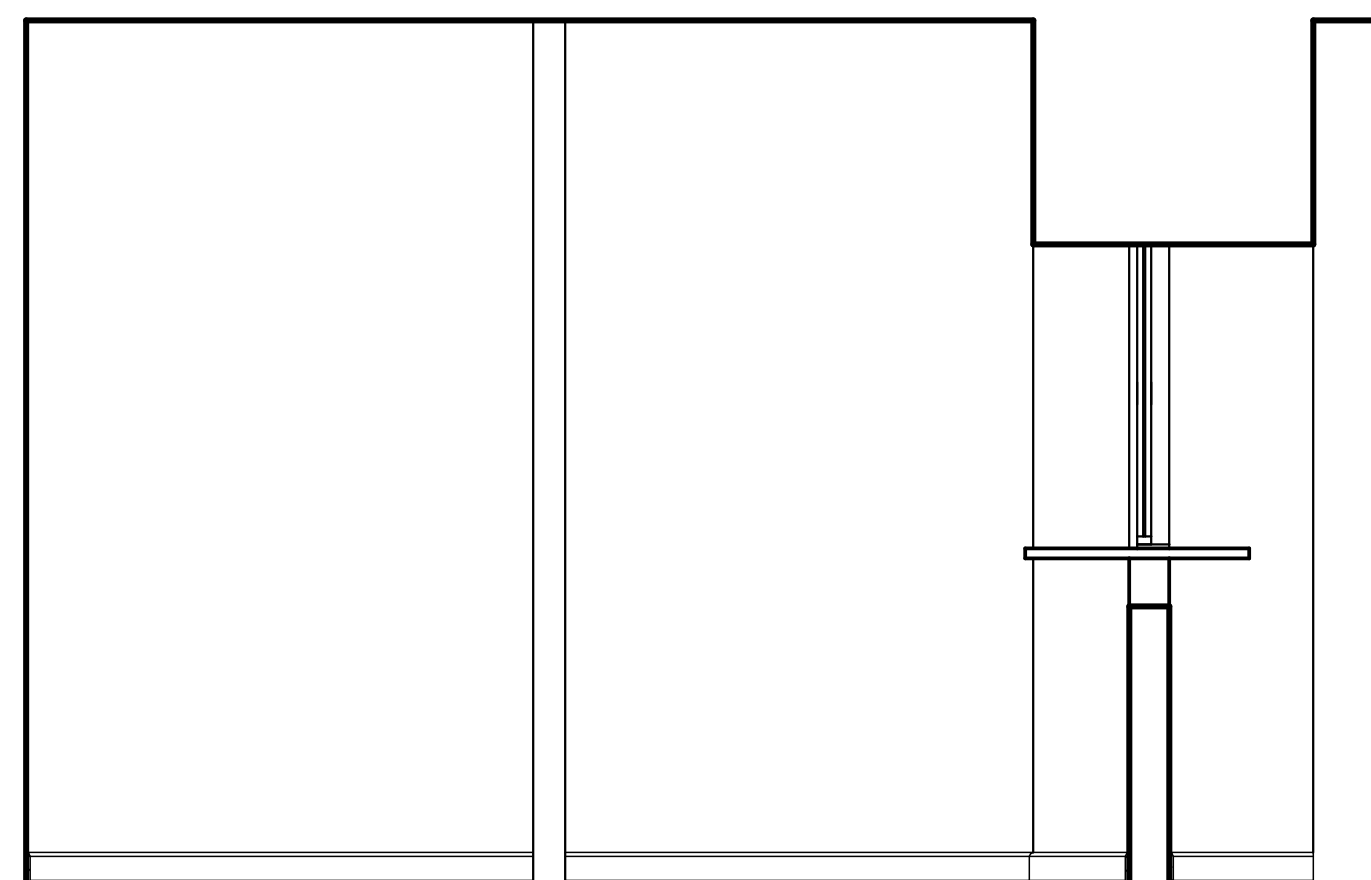
6 INT. ELEV. STORAGE  
SCALE: 1/2" = 1'-0"



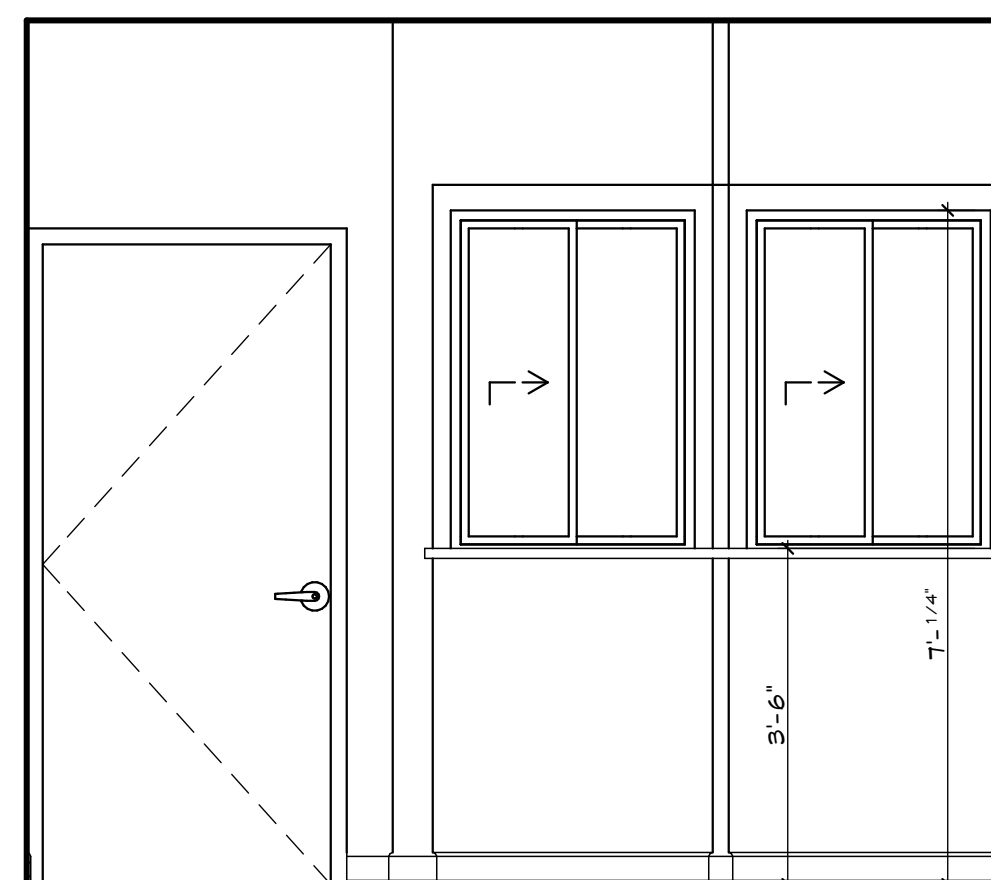
7 INT. ELEV. STORAGE  
SCALE: 1/2" = 1'-0"



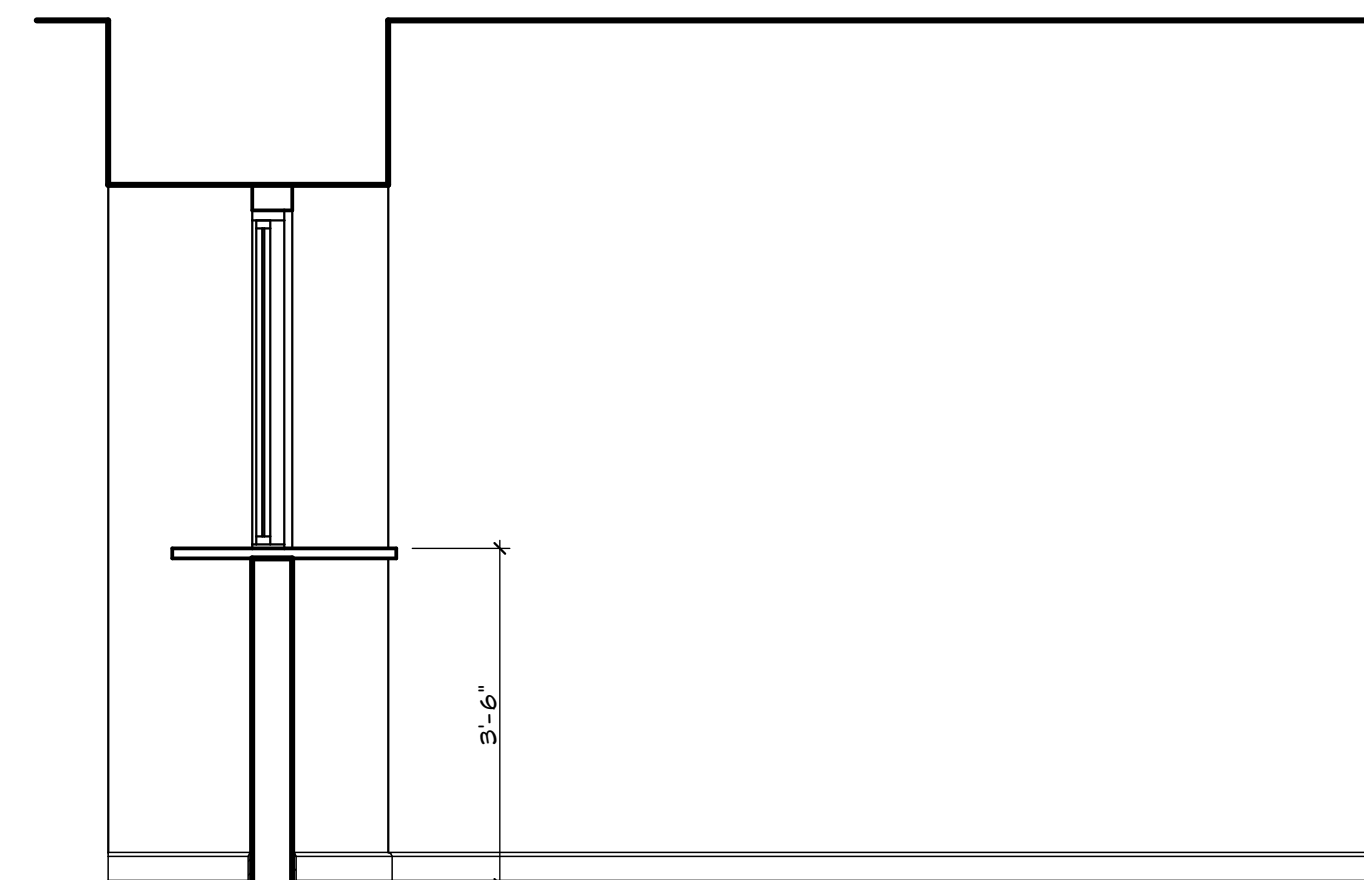
8 INT. ELEV. STORAGE  
SCALE: 1/2" = 1'-0"



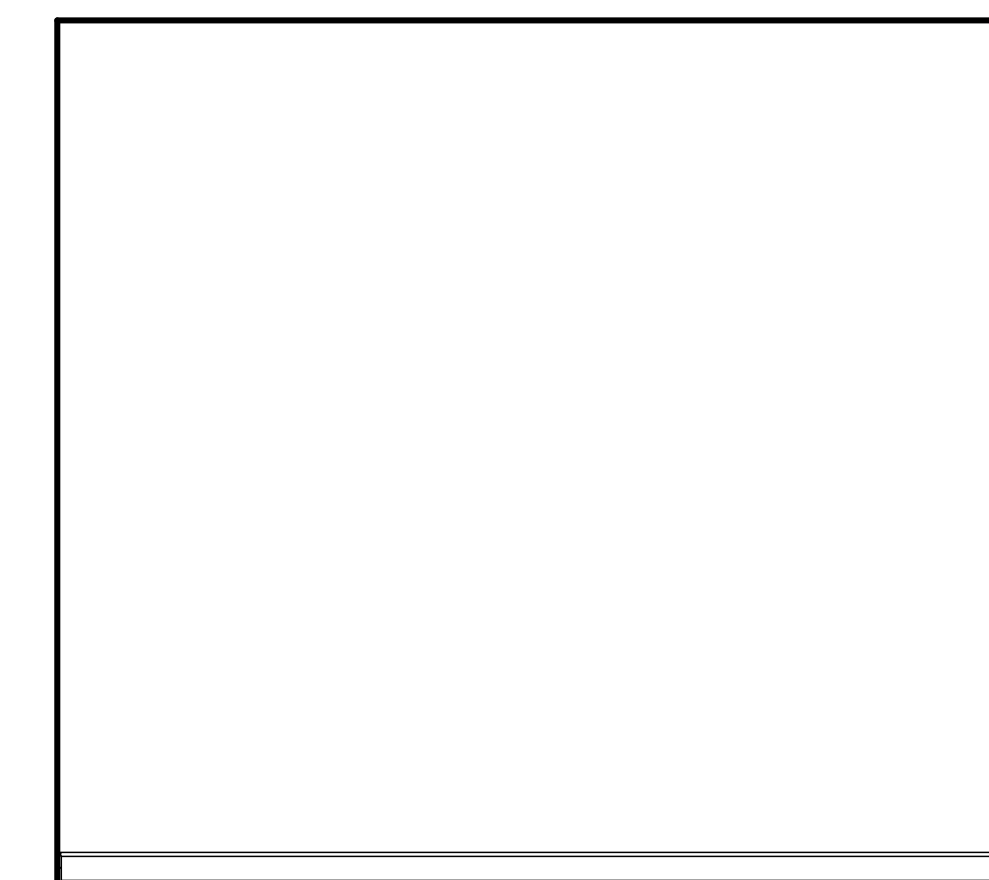
9 INT. ELEV. NURSE / MED OFFICE  
SCALE: 1/2" = 1'-0"



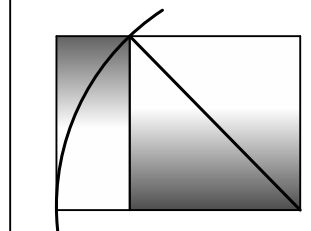
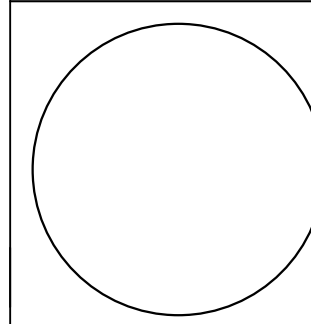
10 INT. ELEV. NURSE / MED OFFICE  
SCALE: 1/2" = 1'-0"



11 INT. ELEV. NURSE / MED OFFICE  
SCALE: 1/2" = 1'-0"



12 INT. ELEV. NURSE / MED OFFICE  
SCALE: 1/2" = 1'-0"



MARK	DATE	DESCRIPTION
	1/3/18	