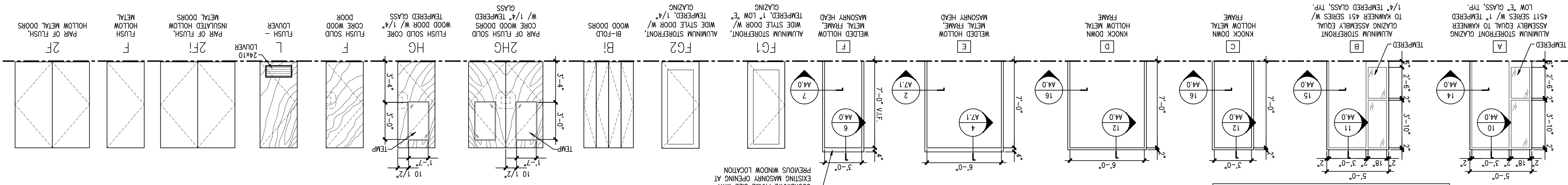
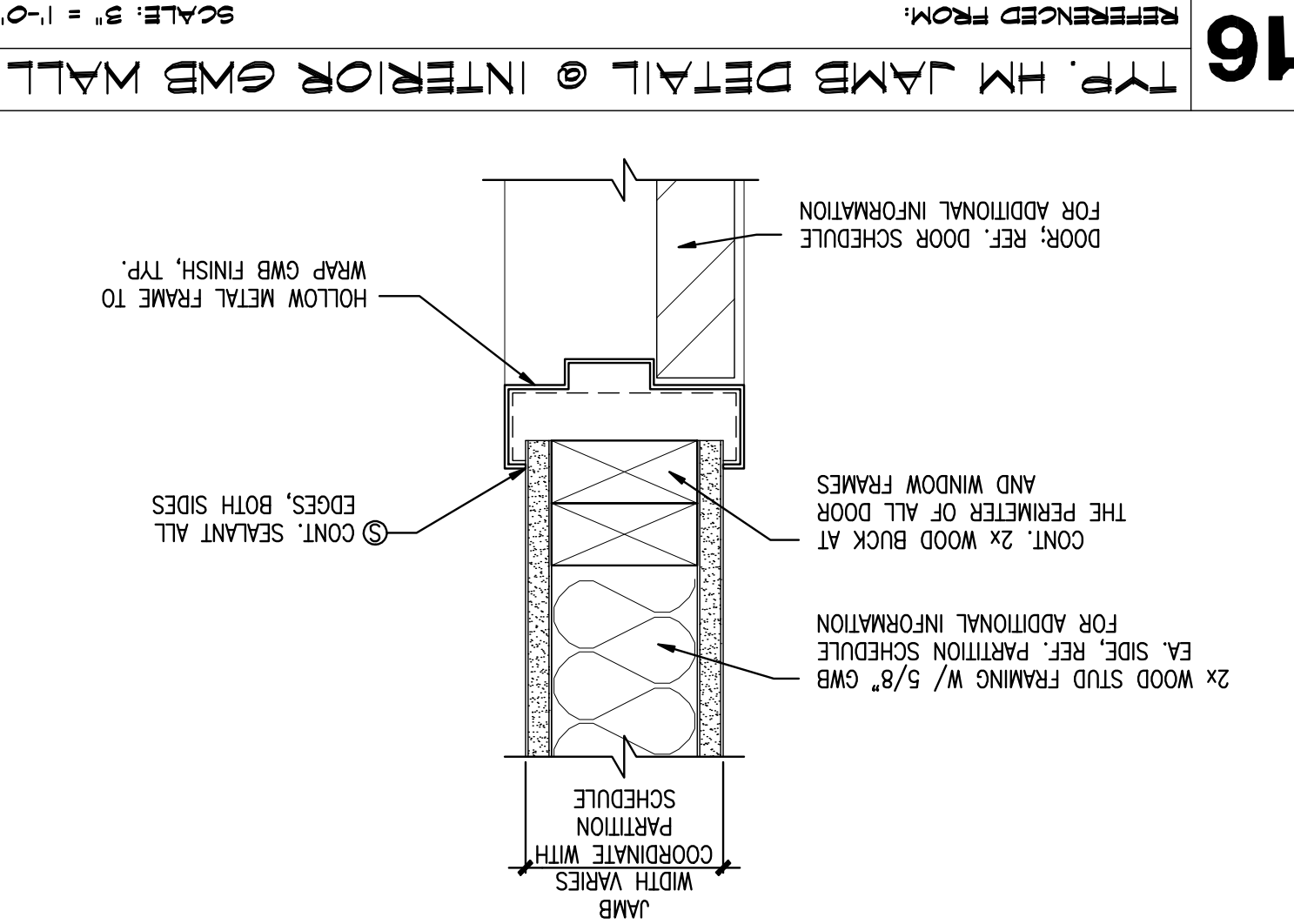
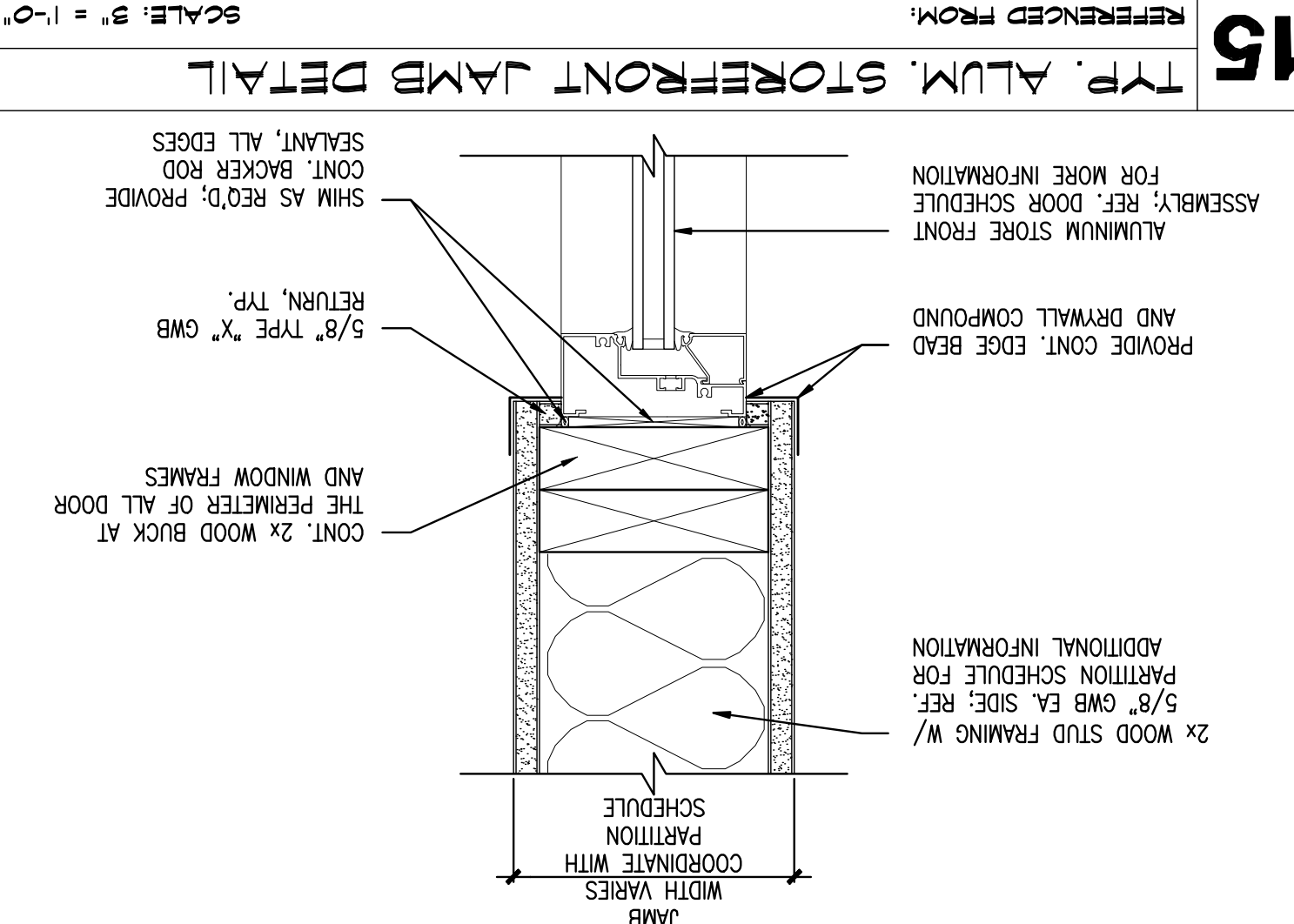
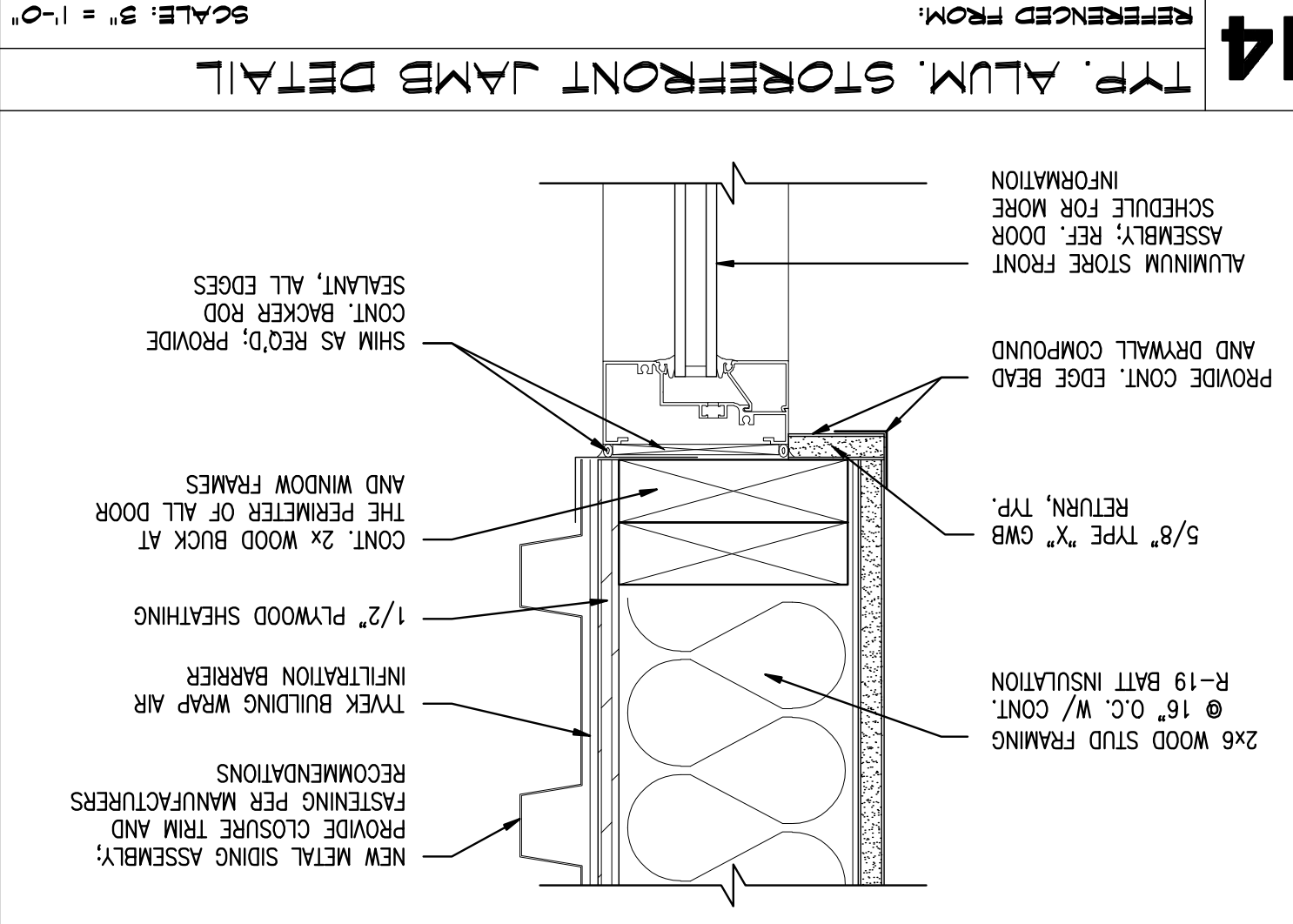
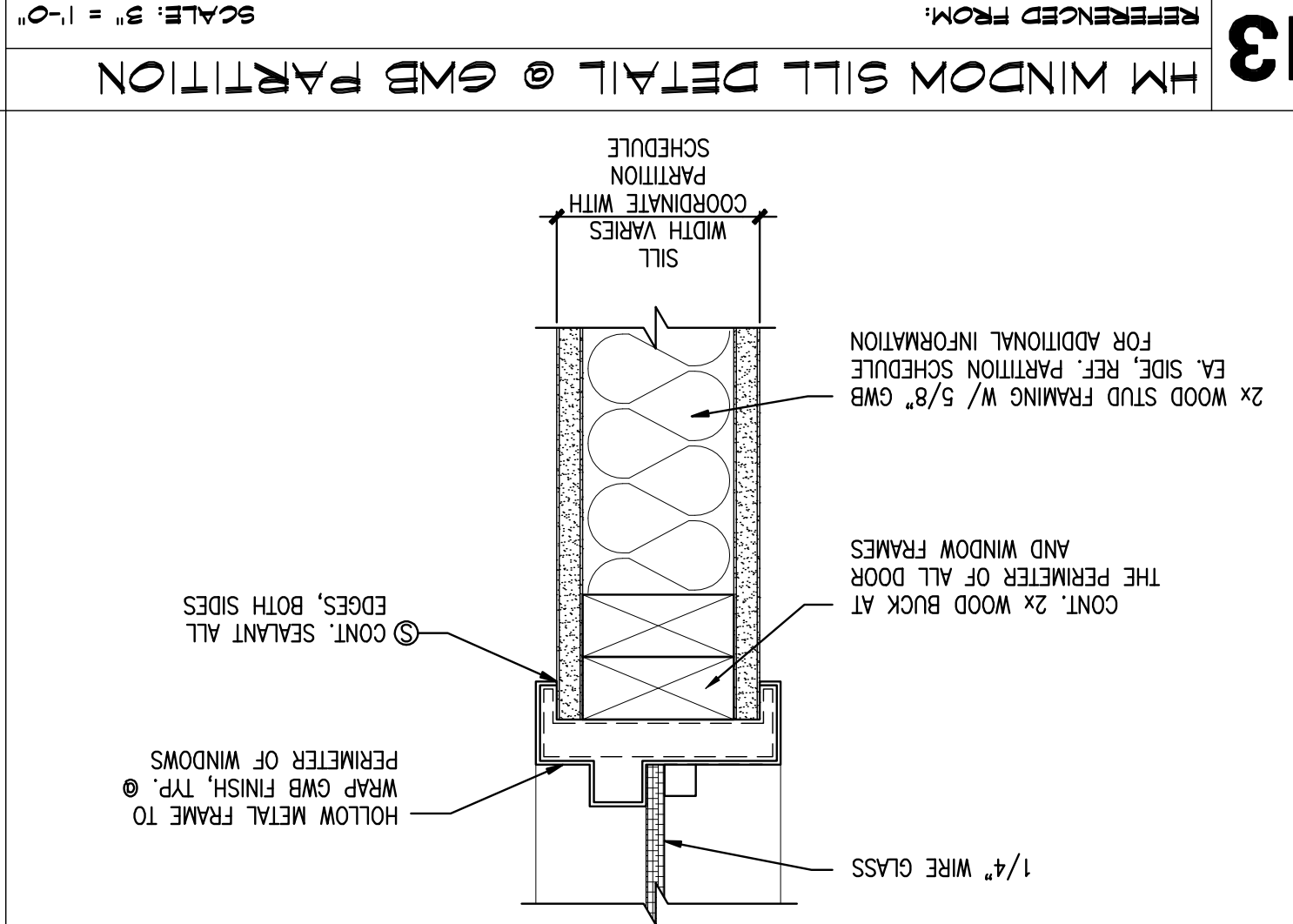
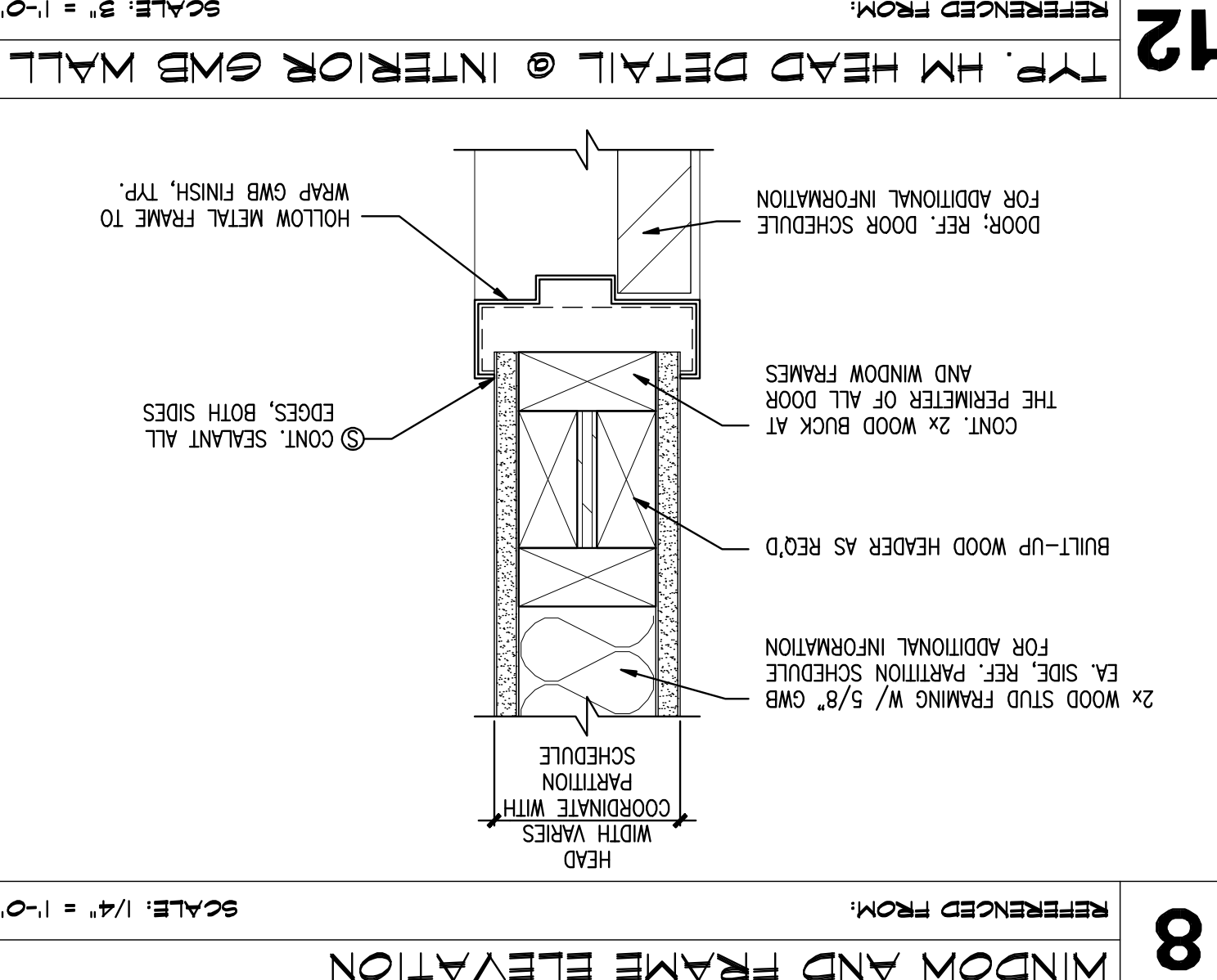
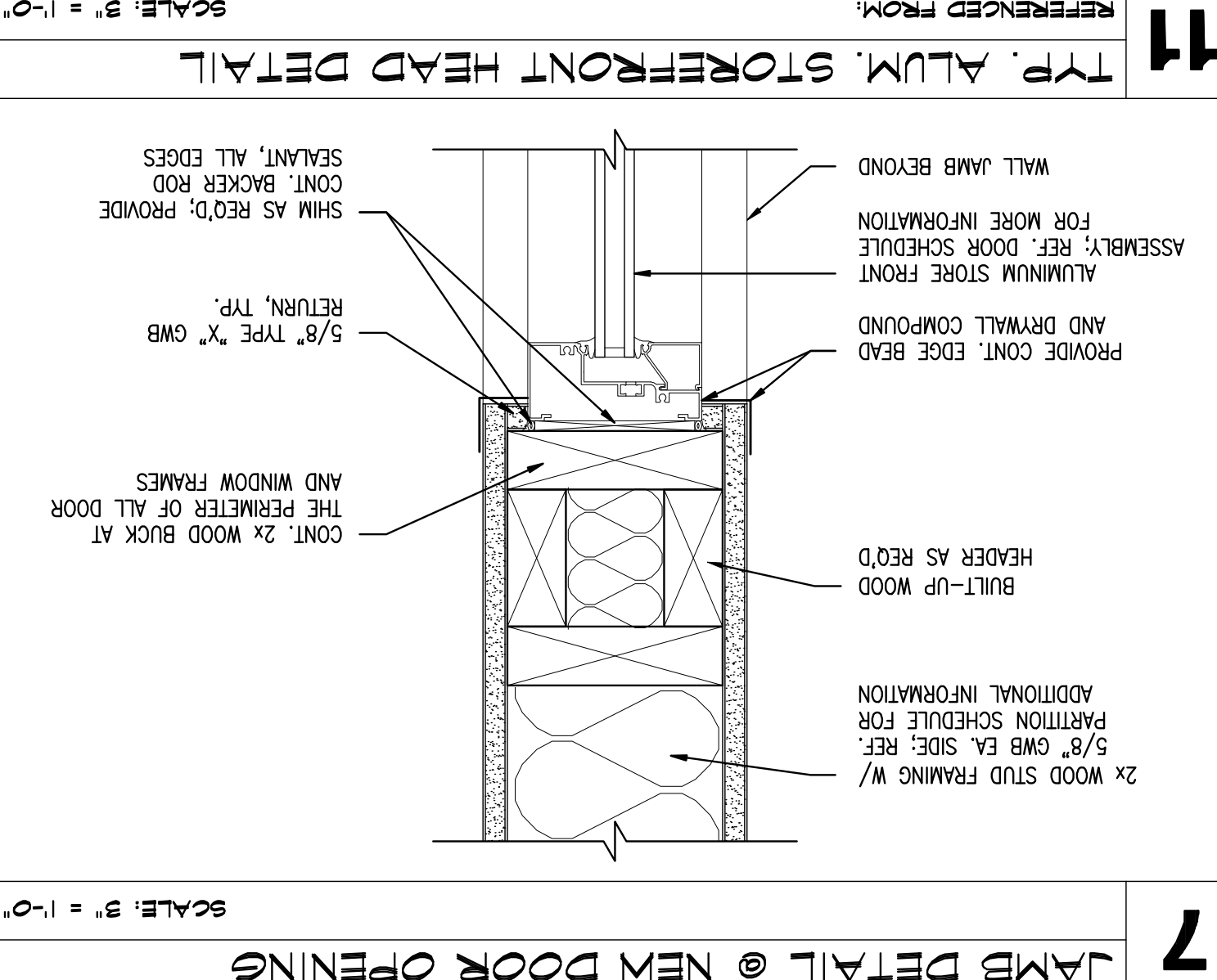
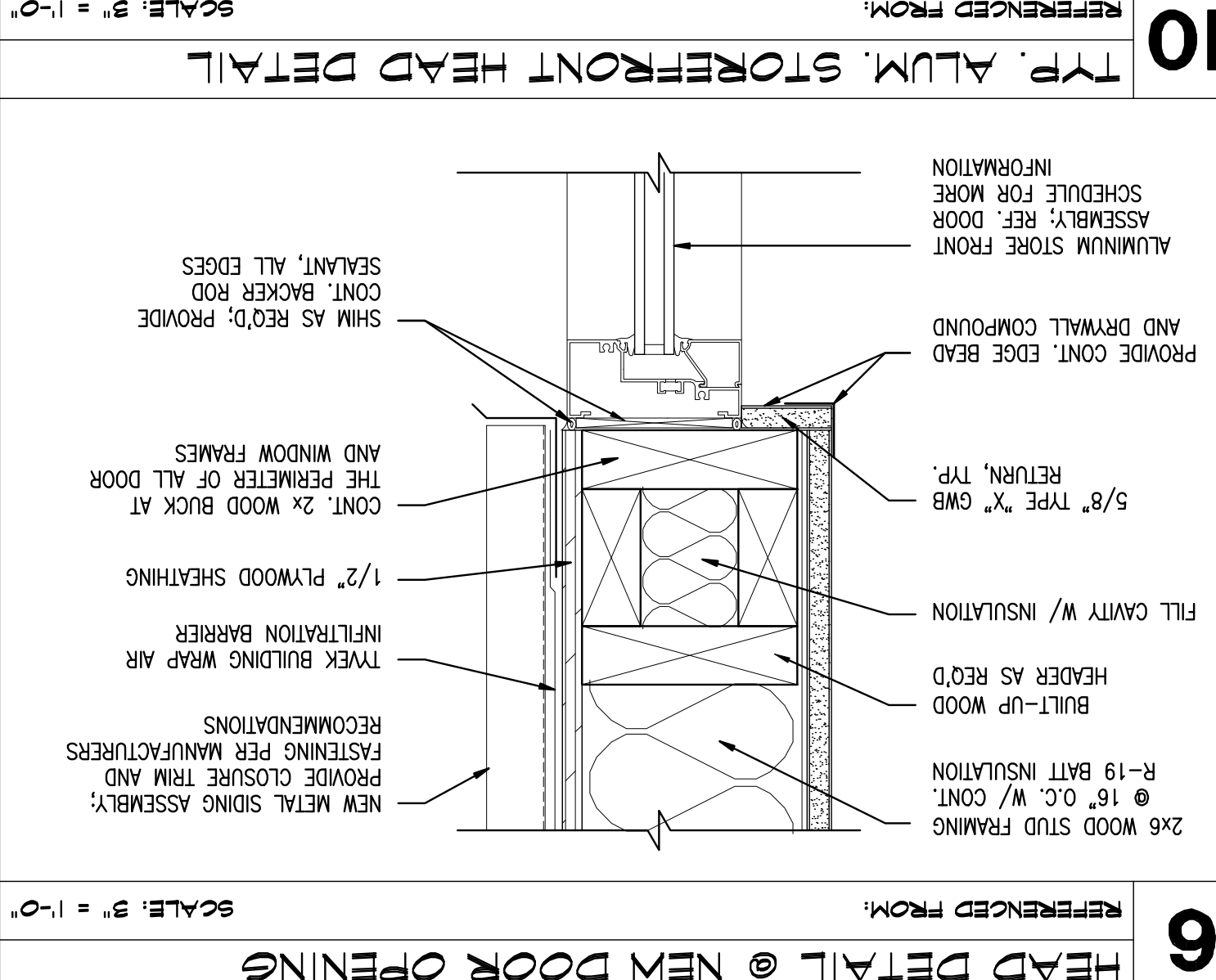
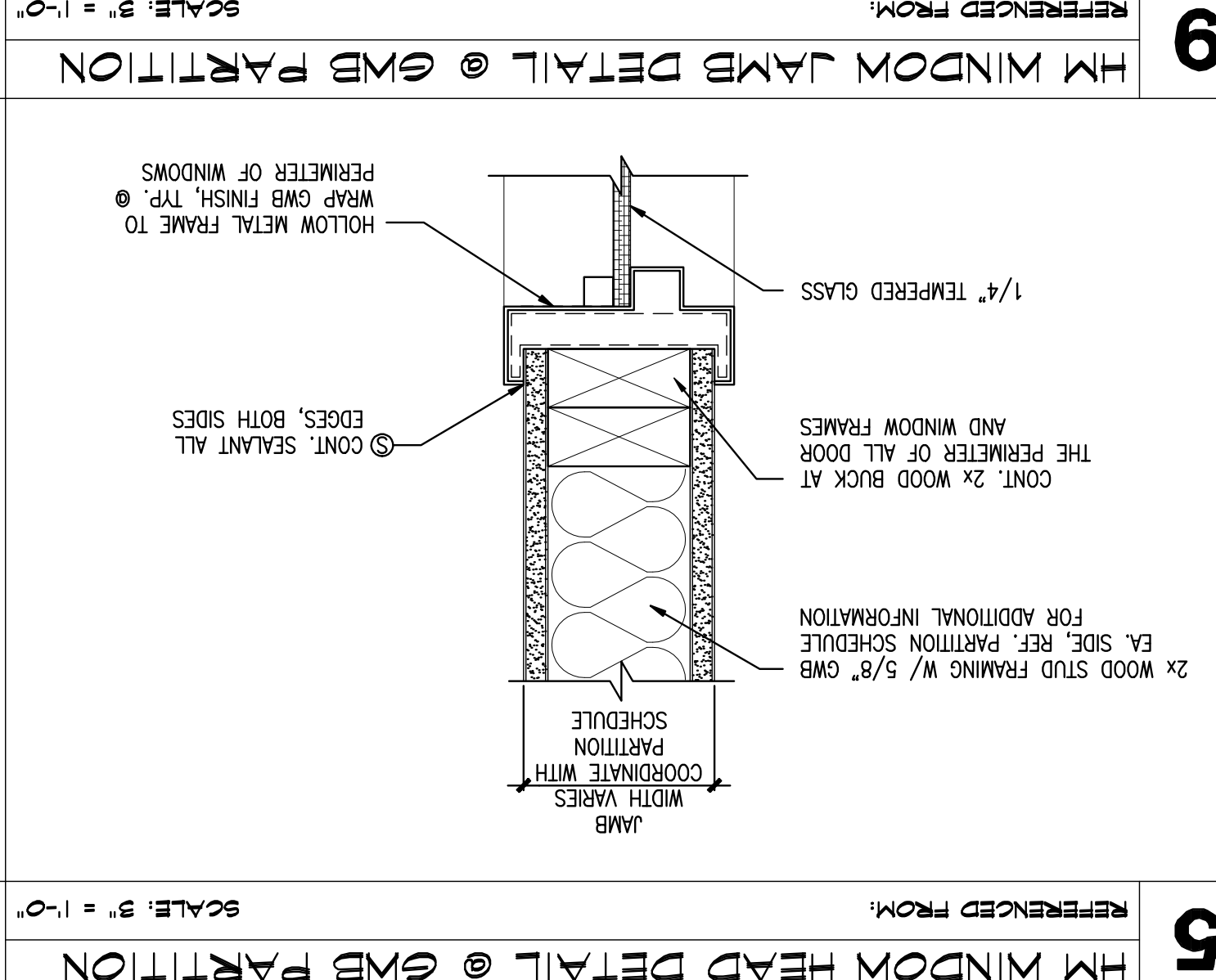
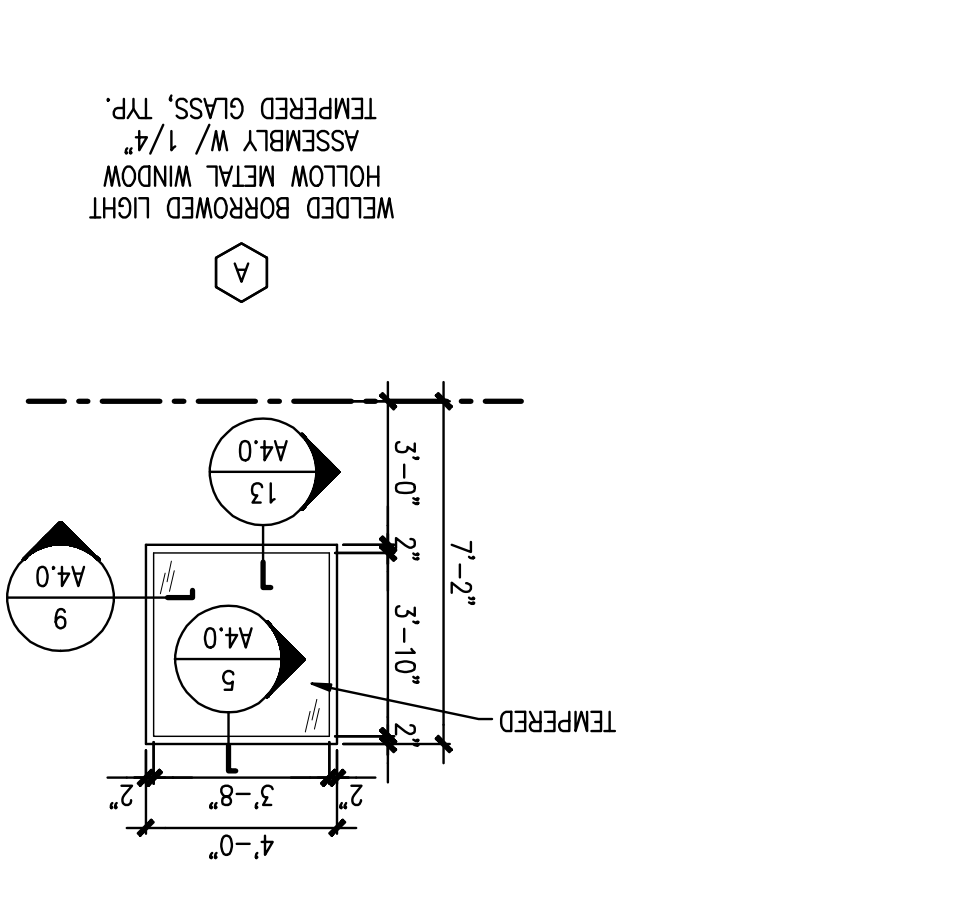
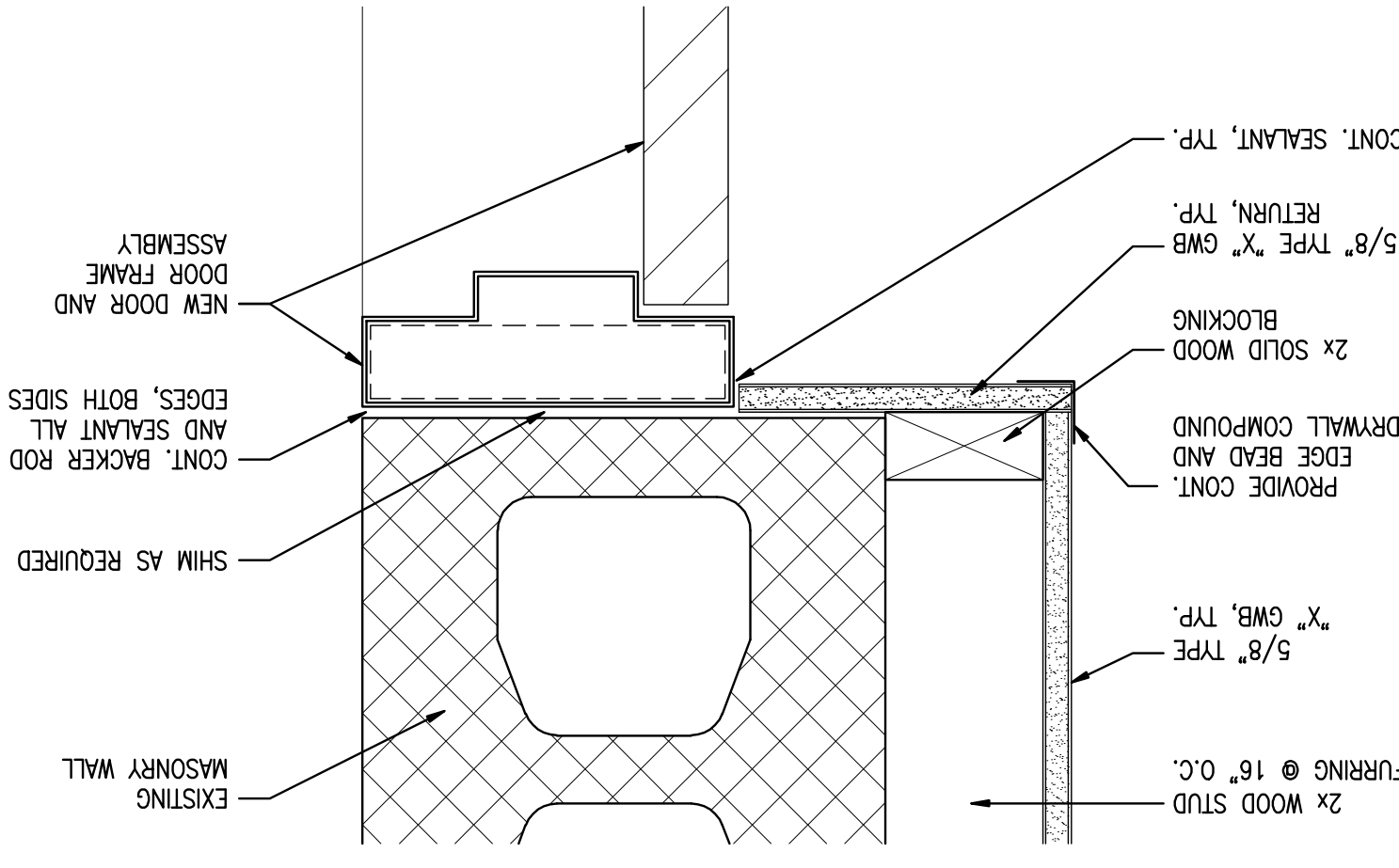
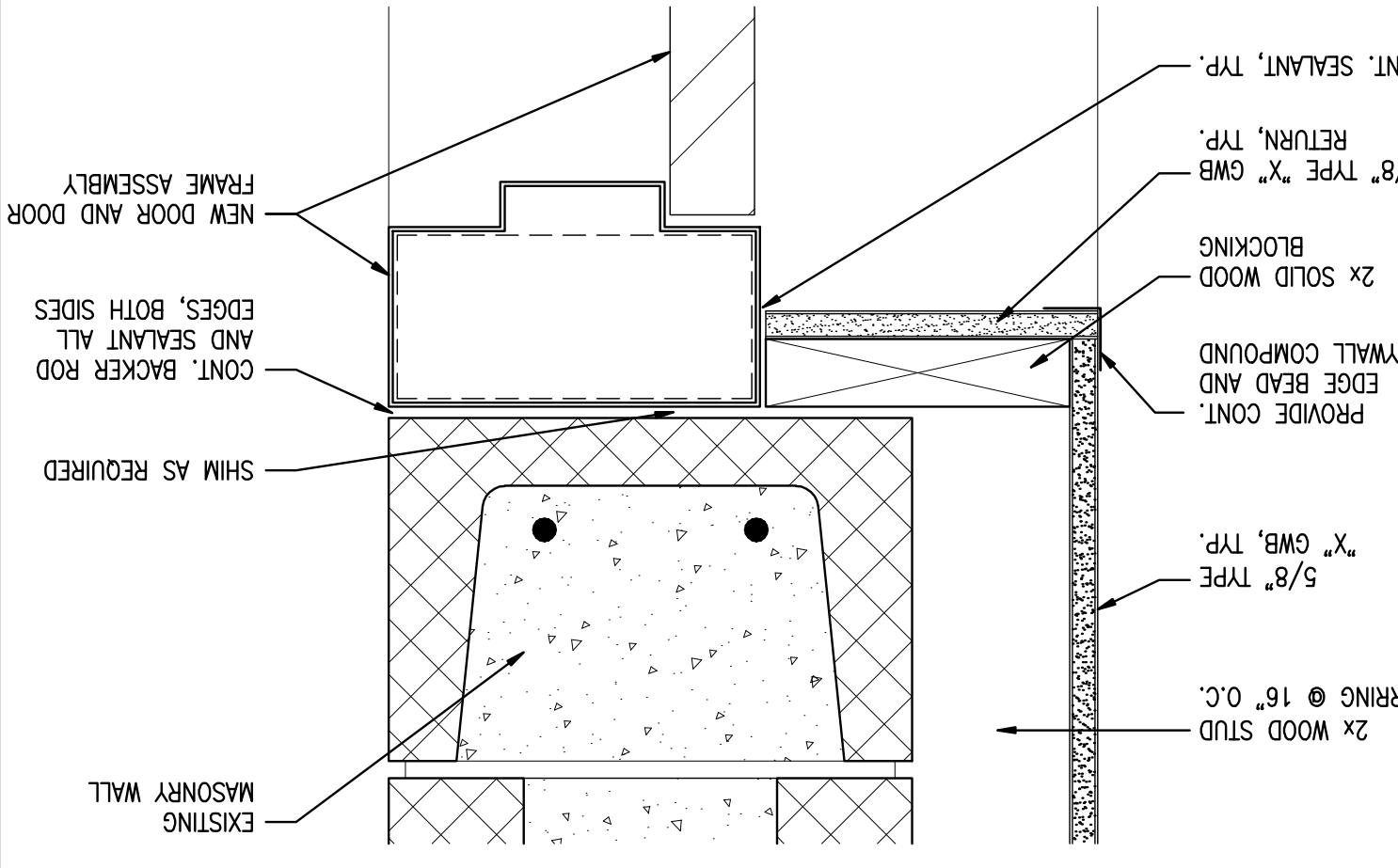
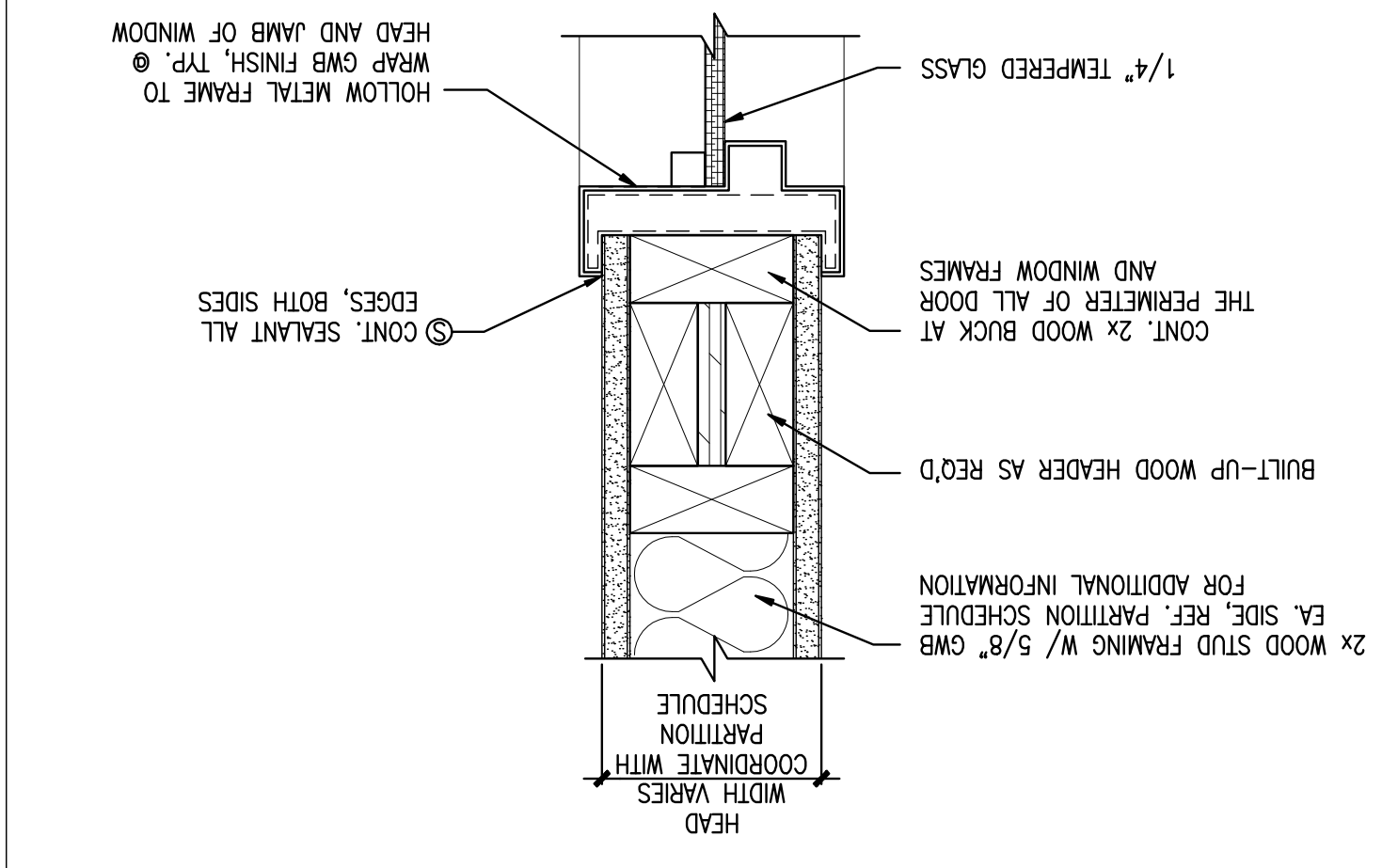


1. THE CONTRACTOR SHALL VERIFY ALL MASONRY OPENINGS AND CONFIRM ALL WINDOW AND DOOR UNIT SIZES PRIOR TO RELEASING FOR FABRICATION. COORDINATE WITH MASONRY CONTRACTOR.



1 DOOR AND DOOR FRAME ELEVATIONS



CWS Architects
 434 Cumberland Avenue
 Portland, ME 04101
 Phone: (207) 774-4441
 Fax: (207) 774-4016
 www.CWSarch.com

HAPPY TAILS DOG CENTER
 119 BISHOP STREET
 PORTLAND, MAINE 04105

HAPPY TAILS
 150 ST. JOHN STREET
 PORTLAND, MAINE 04102
 207-450-0924

REVISIONS:

Date:	Description:

WINDOW, DOOR, AND DOOR FRAME ELEVATIONS AND DETAILS
 AS NOTED
 Scale: September 20, 2006
 Date: 06/19/06
 CWS Proj. No.:

A4.0
 Drawing Number