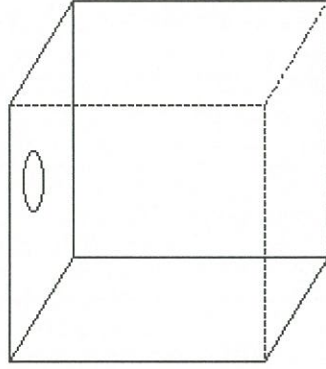
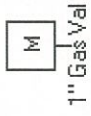


Remote Pull



Designed & Installed by:
 Firesafe Equipment
 PO Box 1355
 Auburn, ME 04211
 207-784-7525

For:
 ELEVEN BISHOP

Lic #:
 Designer:
 Job #:
 Date: 8/5/2014

Stamp